

AVIATION SNIPS STRAIGHT CUT

Code: 69 146 872



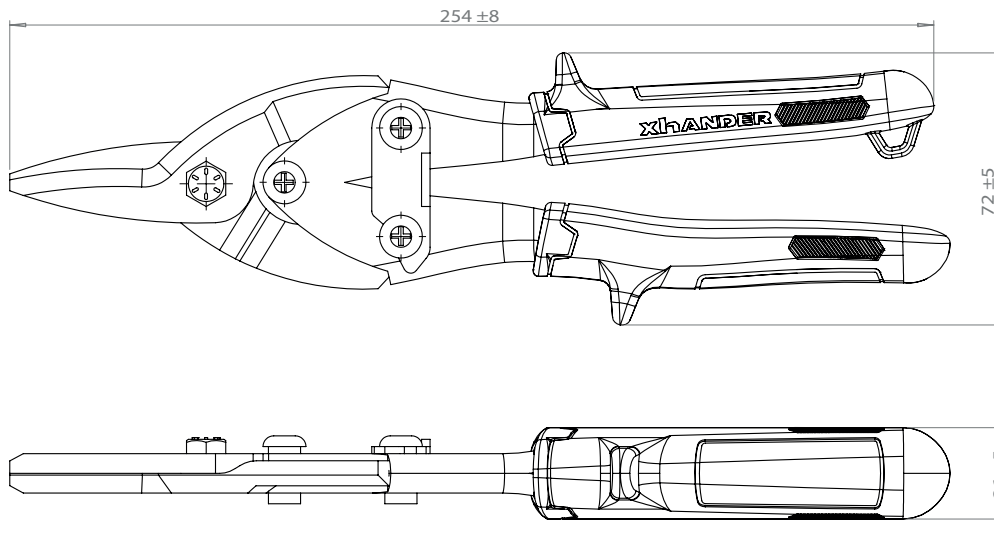
**LIFETIME
WARRANTY**

DESCRIPTION

- Precise sheet metal cutting
- Jaw locking clasp
- Opening capacity: 45 mm
- Blade length: 50 mm

SPECIFICATIONS

Type of cut	Continuous
Cutting direction	Straight
Gear mechanism	Yes
Sheet thickness	0_1 mm
Snips length	250 mm
Handle material	Bi-material



YOUR PERFORMANCE PARTNER