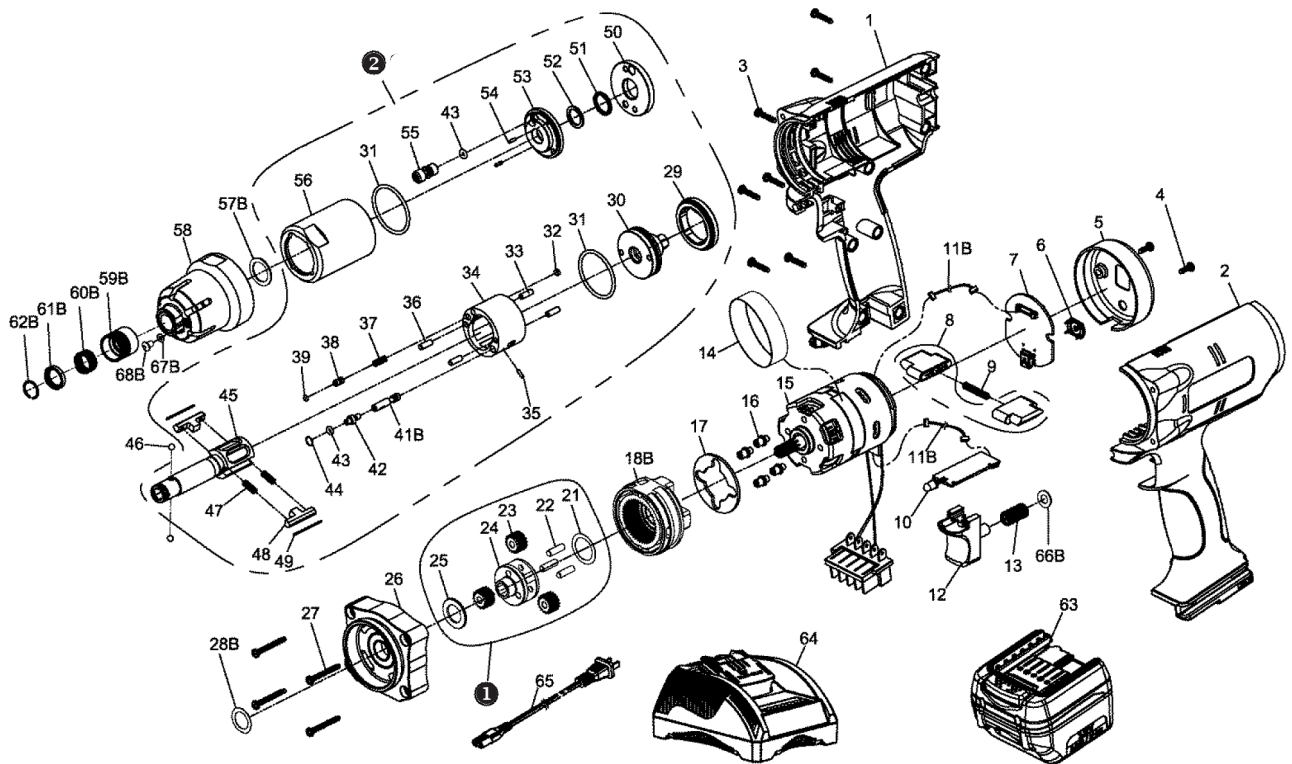


RRI-BIM15AT

CORDLESS SHUT OFF IMPULSE TOOL



Index No	Part No.	Description	Q'ty
1	C01PW15#G2	Upper Housing	1
2	C02PW15#G2	Lower Housing	1
3	000-0930	Screw (Ø3×14L)	7
4	000-0831	Screw Ø3×8L)	2
5	C10PW15#W2	Cover	1
6	C09PW15-3#W2	Button	1
7	E76PW15-1	LED Indicator Board	1
8	B09PW15-1#B1	F/R Valve (1set×2pcs)	1
9	D48PW15-1	Spring	1
10	E76PW15	PC Board	1
11B	E86SC	Connector Wire	2
12	B09PW15#B1	Trigger Assembly	1
13	D48PW15	Spring	1
14	C39PW15	Ring	1
15	B83PW15-1	Brushless Motor ;w/driver	1
16	D54PW15	Screw	4
17	C39PW15-1	Washer	1
18B	B50PW15-1	Gear Box Assembly	1
①	B51PW15	Gear Cage Assembly	1
21	D39PW15-1	Washer	1
22	000-3440	Pin	3
23	D49PW15-1	Planet Gear	3
24	D51PW15	Gear Cage	1
25	D39PW15	Washer	1
26	B52PW15#BW	Housing Cover Assembly	1
27	000-0840	Screw (Ø4×25L)	4
28B	I40S-423	Washer	1
②	B140SD-400ASM	Pulse unit	1
29	I40S-402	Lock Nut	1*
30	I40S-415	Rear Plate	1*
31	00-41127	O-Ring	2*
32	I40S-454	Block Cap	1*
33	00-3407	Pin	2*
34	I40S-404-B	Pulse Cylinder	1*

Index No	Part No.	Description	Q'ty
35	00-3436	Pin	1*
36	00-3435	Pin	2*
37	I40S-453	Spring	1*
38	I540S-421	Pressure Valve	1*
39	00-41173	O-Ring	1*
41B	D55PW15	Valve	1*
42	I80-411	Valve Screw	1*
43	00-41113	O-Ring	2*
44	I80-422	Back Up Ring	1*
45	I40SD-405	Anvil	1*
47	I40S-407	Spring	2*
48	I40S-406-B	Drive Blade	2*
49	I40S-452	Roller	2*
50	I40S-408	Front Plate	1*
51	00-2602	X-Ring	1*
52	I40-409	Back Up Ring	1*
53	I40S-403-B	Front Cover	1*
54	00-3318	Spring Pin	2*
55	I70-410	Greasing Screw	1*
56	I40S-401	Pulse Cylinder Seat	1*
57B	I40S-424	Washer	1
58	B41PW15#BW	Front Cover Assembly	1
46	000-3834	Steel Ball (Ø3.175)	2
59B	I40SD-417	Quick Change Holder	1
60B	I40SD-418	Spring	1
61B	I40SD-419	Hold Spacer	1
62B	757-026	Anvil Collar	1
63	BB180C-320	18V Li-ion 2.0Ah Battery	1
64	B84192B	Battery Charger	1
65	E86B	Power Cord	1
66B	C39PW15-3	Washer	1
67B	000-4114	O-Ring	1
68B	I100-410	Greasing Screw	1