

INSULATED CUTTING PLIERS VDE 1000V BI-MATERIAL HANDLES

Code: 69 147 119

Standards:  



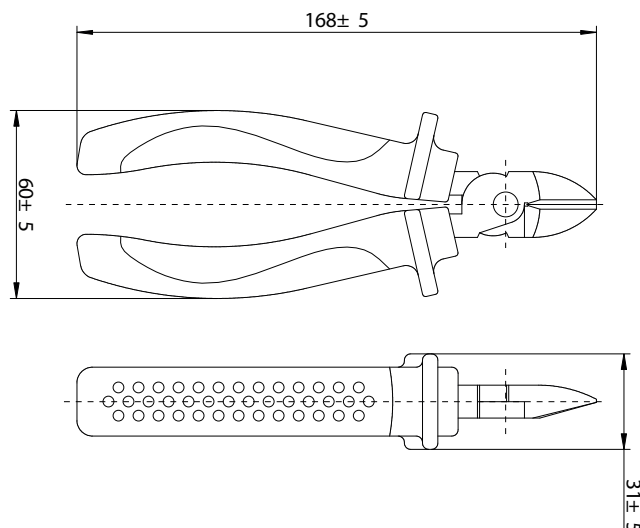
**LIFETIME
WARRANTY**

DESCRIPTION

- Clean and precise cutting of soft and semi-hard wires
- Ergonomic handles for more comfortable use
- Opening capacity: 22 mm

SPECIFICATIONS

Type of cut	Diagonal
Cutting finish	Axial
Pliers shape	Straight
Length	160 mm
Cutting capacity	1.6 mm
Insulated 1000V	Yes
Handle type	Bi-material



YOUR PERFORMANCE PARTNER