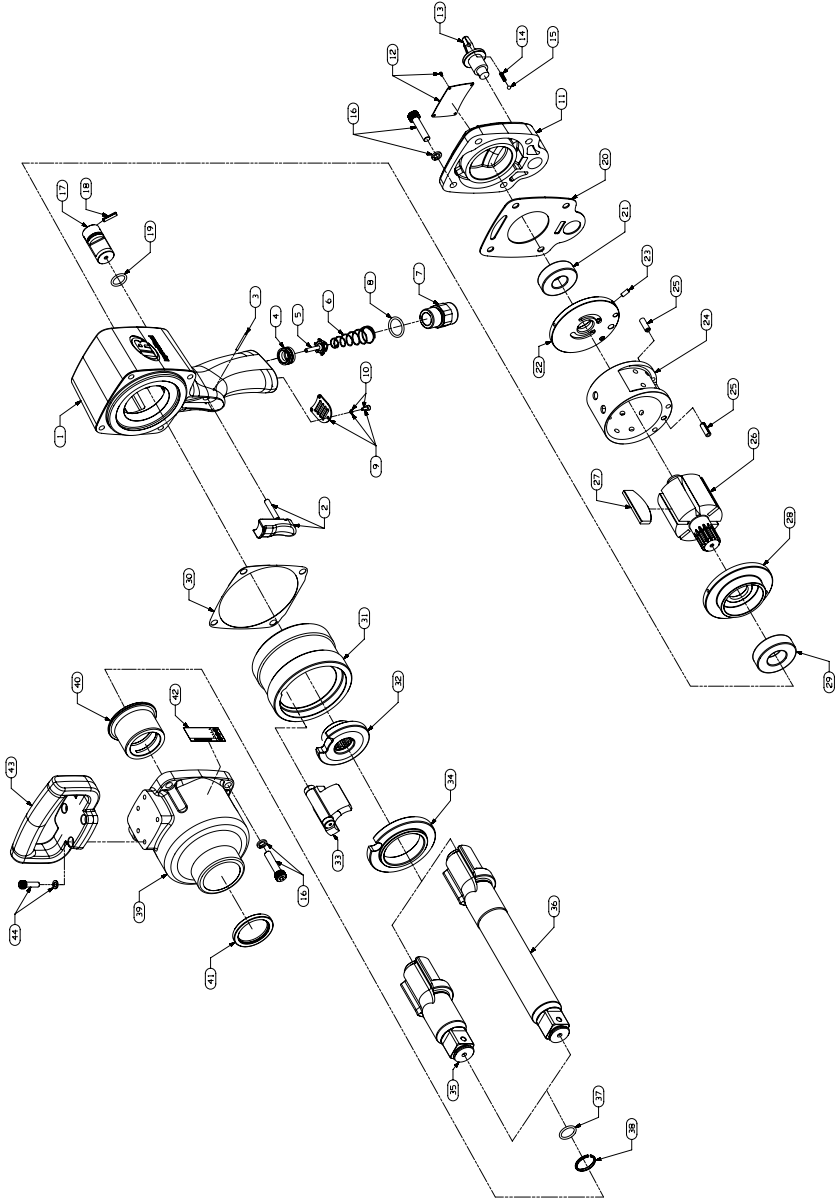


295A Air Impact Wrench Exploded Diagram



(Dwg. 16578742)

295A Air Impact Wrench Parts List

Item	Part Description	Part Number	Item	Part Description	Part Number
1	Handle Assembly	295A-A40	24	Cylinder and Alignment Pins	285B-A3
2	Trigger	295A-A93	25	Pin, Spring (2)	---
3	Pin, Spring	295A-439	26	Rotor	285B-53
4	Valve Seat	295A-303	27	Vane Pack (set of 6)	285B-42-6
5	Throttle Valve	295A-50	28	Front Endplate	285B-11
6	Throttle Valve Spring	295A-51	29	Front Rotor Bearing	285B-96
7	Inlet Bushing Assembly	295A-A565	30	Hammer Case Gasket	285B-36
8	O-Ring	295A-566	31	Hammer Frame	285B-703
9	Deflector Kit	295A-A23	32	Hammer Cam	285B-721
10	Screw and Washer (3 sets)	295A-A262	33	Hammer	285B-724
11	Backhead Assembly	295A-A102	34	Side Plate	285B-706
12	Nameplate and 4 Rivets	295A-A301	35	Anvil Assembly, Standard Length	285B-A726
13	Reverse Lever	295A-A658	36	Anvil Assembly, 6" Extended Length	285B-A726-6
14	Spring	285B-334	37	O-Ring	BBFM-557
15	Ball	285B-333	38	Retainer Ring	910E5-918
16	Handle Capscrew and Washers (set of 8)	285B-A638	39	Hammer Case Assembly	285B-A727
17	Reverse Valve Assembly	295A-A329	40	Hammer Case Bushing	285B-641
18	Stop Pin	295A-120	41	Oil Seal	285B-642
19	O-Ring	285B-338	42	Warning Label	WARNING-2-99
20	Gasket, Handle	295A-283	43	Dead Handle (Straight) with Screws	285B-A48
21	Rear Rotor Bearing	285B-24	44	Screw and Washer (3)	---
22	Endplate with Alignment Pin	285B-A12		Tune-up Kit (includes items 5, 6, 8, 14, 15, 18, 19, 20, 21, 27, 29, 30, 37, 38 and 41)	295A-TK1
23	Pin, Spring	---			

Parts and Maintenance

When the life of the tool has expired, it is recommended that the tool be disassembled, degreased and parts be separated by material so that they can be recycled.

Tool repair and maintenance should only be carried out by an authorized Service Center. Refer all communications to the nearest **Ingersoll-Rand** Office or Distributor.

Related Documentation

For additional information refer to:

Air Impact Wrench Safety Information Manual 04580916.

Air Impact Wrench Product Information Manual 80160666.

Manuals can be downloaded from www.irttools.com.