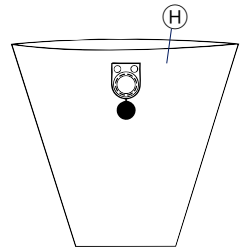
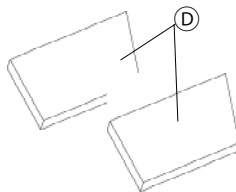
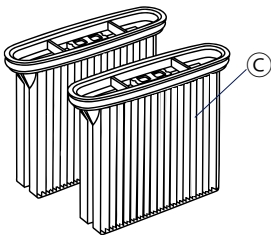
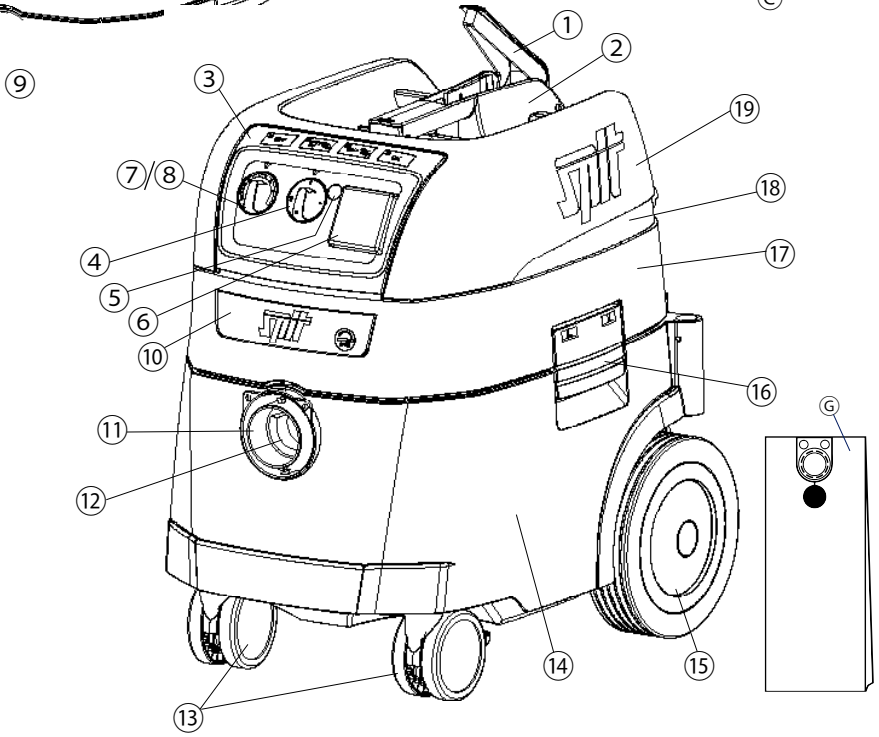
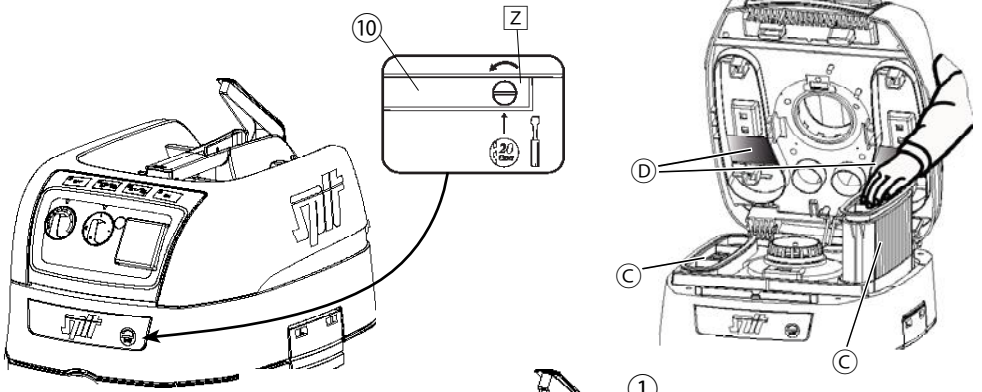


# SPIT 1630P

## AC



<b>GB</b>	Operating Instructions	7	<b>H</b>	KezelésiUtastás	103
<b>F</b>	Notice d'utilisation	15	<b>PL</b>	Instrukcja obsługi	112
<b>D</b>	Bedienungs- und Wartungsanleitungen (Original)	24	<b>CZ</b>	Návod k obsluze	120
<b>I</b>	Istruzioni d'uso	33	<b>SK</b>	Návod na obsluhu	129
<b>NL</b>	Gebruiksaanwijzing	40	<b>MK</b>	Instrucciones para el manejo	138
<b>E</b>	Instrucciones para el manejo	49	<b>SRB</b>	Uputstvo za upotrebu	147
<b>P</b>	Instruções de utilização	58	<b>HR</b>	Uputa za uporabu	156
<b>S</b>	Bruksanvisning	67	<b>SL</b>	Navadila za uporabo	165
<b>DK</b>	Betjeningsveiledning	76	<b>RUS</b>	Руководствопоэксплуатации	174
<b>N</b>	Bruksanvisning	85	<b>EL</b>	δηγίες ειρισμού	183
<b>FIN</b>	Käyttöohje	94	<b>AR</b>	تعليمات التشغيل	192



GB			
①	Cover handle		
②	Handle		
③	Switch plate		
④	Rotary switch		
⑤	Fill level indicator		
⑥	Plug socket		
⑦/⑧	Speed control/ Adjustment of the vacuum hose diameter		
⑩	Latch		
⑪	Vacuum spigot		
⑫	Rotary slider		
⑬	Steering roller		
⑭	Container		
⑮	Wheel		
⑯	Lock		
⑰	Motor housing		
⑱	Support plate		
⑲	Cover		
C	Folding filter cartridges	G	Paper filter bag
D	Motor protection filter	H	PE emptying and disposal bag

F			
①	Poignée couvercle		
②	Poignée		
③	Panneau des interrupteurs		
④	Interrupteur rotatif		
⑤	Indicateur de niveau de remplissage		
⑥	Prise		
⑦/⑧	Régulation du nombre de tours/ Réglage du diamètre du flexible d'aspiration		
⑩	Verrou		
⑪	Tubulure d'aspiration		
⑫	Régulateur rotatif		
⑬	Roue directrice		
⑭	Cuve		
⑮	Roue		
⑯	Fermeture		
⑰	Carter de moteur		
⑱	Plaque support		
⑲	Couvercle		
C	Cassettes à filtre plissé	G	Sac filtrant en papier
D	Filtre de protection-moteur	H	Sac PE de vidange et d'élimination

D			
①	Griff Deckel		
②	Griff		
③	Schalterplatte		
④	Drehschalter		
⑤	Füllanzeige		
⑥	Steckdose		
⑦/⑧	Drehzahlregulierung/ Einstellung Saugschlauch-Ø		
⑩	Riegel		
⑪	Ansaugstutzen		
⑫	Drehschieber		
⑬	Lenkrolle		
⑭	Behälter		
⑮	Rad		
⑯	Verschluss		
⑰	Motorgehäuse		
⑱	Trägerplatte		
⑲	Deckel		
C	Faltenfilterkassetten	G	Papierfilterbeutel
D	Motorschutzfilter	H	PE-Entleer- und Entsorgungsbeutel

I			
①	Impugnatura coperchio		
②	Impugnatura		
③	Interruttore ON/OFF		
④	Manopola		
⑤	Indicatore serbatoio		
⑥	Preso di corrente		
⑦/⑧	Regolazione numero giri /Impostazione diametro tubo flessibile di aspirazione		
⑩	Blocco		
⑪	Bocchettone di aspirazione		
⑫	Valvola a maschio		
⑬	Ruota di guida		
⑭	Serbatoio		
⑮	Ruota		
⑯	Chiusura		
⑰	Carter motore		
⑱	Piastra di supporto		
⑲	Coperchio		
C	Cartucce filtro pieghettato	G	Sacchetto filtro di carta
D	Filtro di protezione motore	H	Sacchetto PE per svuotamento e smaltimento

NL			
①	Handgreep deksel		
②	Handgreep		
③	Bedieningspaneel		
④	Draaischakelaar		
⑤	Niveau-indicatie		
⑥	Stopcontact		
⑦/⑧	Toerentalregeling/ Instelling zuigslangdiameter		
⑩	Vergrendeling		
⑪	Aanzuigopening		
⑫	Draaischuiif		
⑬	Zwenkwieletje		
⑭	Container		
⑮	Wiel		
⑯	Slot		
⑰	Motorbehuizing		
⑱	Dragerplaat		
⑲	Deksel		
C	Vouwfiltercassette	G	Papieren filterzak
D	Motorfilter	H	PE-zak voor legen en afvoer

E			
①	Asa de la tapa		
②	Asa		
③	Placa de conmutadores		
④	Conmutador giratorio		
⑤	Indicador de recipiente lleno		
⑥	Caja de enchufe		
⑦/⑧	Regulación de velocidad / Ajuste del diámetro de la manguera de aspiración		
⑩	Enclavamiento		
⑪	Toma de aspiración		
⑫	Corredera giratoria		
⑬	Ruedas giratorias		
⑭	Recipiente		
⑮	Rueda		
⑯	Cierre		
⑰	Carcasa del motor		
⑱	Placa de soporte		
⑲	Tapa		
C	Cartuchos de filtro en fuelle	G	Bolsa filtro de papel
D	Filtro protector del motor	H	Bolsa de vaciado y eliminación de PE

**P**

①	Pega da tampa		
②	Pega		
③	Placa de interruptores		
④	Interruptor rotativo		
⑤	Indicador do enchimento		
⑥	Tomada		
⑦/⑧	Regulação da rotação/Ajuste do diâmetro da mangueira de aspiração		
⑩	Trinco		
⑪	Bocal de aspiração		
⑫	Interruptor rotativo		
⑬	Roda direccional		
⑭	Recipiente		
⑮	Roda		
⑯	Fecho		
⑰	Caixa do motor		
⑱	Placa de suporte		
⑲	Tampa		
C	Cassete de filtros plissados	G	Saco de papel para filtragem
D	Filtro de protecção do motor	H	Saco em PE para esvaziamento e eliminação

**S**

①	Handtag till lock		
②	Grepp		
③	Kopplingsplatta		
④	Vridbrytare		
⑤	Fyllnadsindikering		
⑥	Stickkontakt		
⑦/⑧	Varvvalsreglering/ Inställning sugslangens diameter		
⑩	Regel		
⑪	Uppsugningstappar		
⑫	Vridslid		
⑬	Styrhjul		
⑭	Behållare		
⑮	Hjul		
⑯	Lås		
⑰	Motorhölje		
⑱	Bärplatta		
⑲	Lock		
C	Veckfilterkassetter	G	Filterpåse av papper
D	Motorskyddsfilter	H	PE-tömnings- och bortskaflningspåse

**DK**

①	Greb, dæksel		
②	Greb		
③	Kontaktplade		
④	Drejekontakt		
⑤	Fyldningsindikator		
⑥	Stikdåse		
⑦/⑧	Regulering af omdrejningstal / Indstilling af sugeslanges diameter		
⑩	Spærre		
⑪	Indsugningsstuds		
⑫	Drejeventil		
⑬	Styrehjul		
⑭	Beholder		
⑮	Hjul		
⑯	Lukkemekanisme		
⑰	Motorhus		
⑱	Bæreprade		
⑲	Dæksel		
C	Filterkassetter til foldefilter	G	Papirfilterpose
D	Motorfilter	H	PE-tømnings- og bortskaffelsespose

**N**

①	Håndtak deksel		
②	Håndtak		
③	Bryterplate		
④	Dreiebryter		
⑤	Fyllingsindikator		
⑥	Stikkontakt		
⑦/⑧	Turtallsregulator / Instilling sugeslangediameter		
⑩	Sperre		
⑪	Sugestuss		
⑫	Dreieskiver		
⑬	Styretreinse		
⑭	Beholder		
⑮	Hjul		
⑯	Lås		
⑰	Motorhus		
⑱	Bærerplate		
⑲	Deksel		
C	Foldefilterkassetter	G	Papirfilterpose
D	Motorbeskyttelsesfilter	H	PE-tømme- og avfallspose

**FIN**

①	Kahvan suojus		
②	Kahva		
③	Kytkinlevy *		
④	Kiertokytkin *		
⑤	Täyttötason osoitin *		
⑥	Pistorasia*		
⑦/⑧	Kierrosluvunsäädin* / Letkun läpimitan säädin *		
⑩	Lukitsin		
⑪	Imuistukka		
⑫	Suljin*		
⑬	Ohjauspyörä		
⑭	Säiliö		
⑮	Pyörä		
⑯	Kiinnitin		
⑰	Moottorin kotelo		
⑱	Tukilevy		
⑲	Kansi		
C	Suodatinkasetteja	G	Paperinen suodatinpussi
D	Moottorin suojasuodatin	H	PE-tyhjennys- ja hävityspussi

**H**

①	Fogantyú fedél		
②	Fogantyú		
③	Kapcsoló lap *		
④	Forgókapcsoló *		
⑤	Töltés kijelző *		
⑥	Dugaszoló aljzat *		
⑦/⑧	Fordulatszám szabályozó * / Szívócső átmérő beállítás *		
⑩	Retesz		
⑪	Szívócsonkok		
⑫	Forgó tolattyú *		
⑬	Vezető görgő		
⑭	Tartály		
⑮	Kerék		
⑯	Zár		
⑰	Motorház		
⑱	Tartólap		
⑲	Fedél		
C	Redőzött szűrő kazetta	G	Papír szűrőtásak
D	Motorvédő szűrő	H	PE ürítő és hulladékkezelő tasak

PL

①	Uchwyt pokrywa	
②	Uchwyt	
③	Płyta łącznika *	
④	Przełącznik obrotowy *	
⑤	Wskaźnik wypełnienia *	
⑥	Gniazdo wtykowe *	
⑦/⑧	Regulacja prędkości obrotowej * / Ustawienie średnicy weża ssącego *	
⑩	Zasuwa	
⑪	Końcówka ssąca	
⑫	Zasuwa obrotowa *	
⑬	Rolka kierownicy	
⑭	Pojemnik	
⑮	Kolo	
⑯	Zamek	
⑰	Obudowa silnika	
⑱	Płyta nośna	
⑲	Pokrywa	
C	Kasety filtra składanego	G Papierowy worek filtra
D	Filtr ochronny silnika	H Worki

CZ

①	Rukojeť víka	
②	Rukojeť	
③	Ovládací panel *	
④	Otočný spínač *	
⑤	Indikace stavu naplnění *	
⑥	Zásuvka *	
⑦/⑧	Regulace otáček * / Nastavení průměru sací hadice *	
⑩	Žápadka	
⑪	Sací hrdlo	
⑫	Otočné šoupátko *	
⑬	Řídicí kolečko	
⑭	Zásobník	
⑮	Kolo	
⑯	Uzávěr	
⑰	Kryt motoru	
⑱	Nosná deska	
⑲	Víko	
C	Kasety se skládaným filtrem	G Papírový sáček
D	Mot Ochranný filtr motoru orskyddsfilter	H Polyetylenový sáček pro vyprázdňování a likvidaci prachu

SK

①	Držadlo krytu	
②	Držadlo	
③	Spínací panel *	
④	Otočný spínač *	
⑤	Indikátor stavu naplnenia *	
⑥	Zásuvka *	
⑦/⑧	Regulácia otáčok * / Nastavenie priemeru sacjej trubice *	
⑩	Žapadka	
⑪	Sacie hrdlo	
⑫	Otočný posúvač *	
⑬	Otočné koliesko	
⑭	Nádoba	
⑮	Koleso	
⑯	Uzáver	
⑰	Puzdro motora	
⑱	Nosná doska	
⑲	Kryt	
C	Kasety so skládaným filtrom	G Papierové filtračné vrecko
D	Ochranný filter motora	H PS vyprázdňovacie a likvidačné vrecko

MK

①	Рачка на капак	
②	Рачка	
③	Плочка со прекинувачи	
④	Прекинувач на вртење	
⑤	Индикатор за полнење	
⑥	Утичница	
⑦/⑧	Регулација на бројот на вртежи / Нагодување Ø на всмукувачкото црево	
⑩	Блок-елемент	
⑪	Навој за всмукување	
⑫	Ротирачки вентил	
⑬	Управувачко тркалце	
⑭	Сад	
⑮	Тркало	
⑯	Затворач	
⑰	Кукјште на мотор	
⑱	Носечка плочка	
⑲	Капак	
C	Касети за набран филтер	G Хартиена филтер ќеса
D	Филтер за заштита на мотор	H Ќеса од ПЕ за празнење и отстранување

SRB

①	Poklopac rukohvata	
②	Rukohvat	
③	Komandna tabla *	
④	Obrtni prekidač *	
⑤	Indikator punjenja *	
⑥	Utičnica *	
⑦/⑧	Regulacija broja obrtaja * / Podešavanje prečnika usisnog crijeva *	
⑩	Zasovnica	
⑪	Usisni priključak	
⑫	Obrtni klizac *	
⑬	Upravljački točkić	
⑭	Posuda	
⑮	Točak	
⑯	Zatvarač	
⑰	Kućište motora	
⑱	Noseća ploča	
⑲	Poklopac	
C	Naborani filter (umeci)	G Papirna vreća filtera
D	Zaštitni filter motora	H PE-vreća za pražnjenje i uklanjanje

HR

①	Ručka poklopca	
②	Ručka	
③	Ploča sklopke *	
④	Okretna sklopka *	
⑤	Prikaz punjenja *	
⑥	Utičnica *	
⑦/⑧	Regulacija broja okretaja * / Postavke usisnog crijeva-promjer *	
⑩	Zapor	
⑪	Usisni oslonci	
⑫	Okretni kliznik *	
⑬	Upravljački valjak	
⑭	Posuda	
⑮	Kotač	
⑯	Brava	
⑰	Kućište motora	
⑱	Nosiva ploča	
⑲	Poklopac	
C	Kasete za nabrani filter	G Papirnat filter vrećice
D	Filter za zaštitu motora	H PE vrećica za pražnjenje i uklanjanje

GB

F

D

I

NL

E

P

S

DK

N

FIN

H

PL

CZ

SK

MK

SRB

HR

SL

RUS

EL

AR

SL

①	Ročaj pokrova		
②	Ročaj		
③	Stikalna plošča *		
④	Vrtljivo stikalo *		
⑤	Prikaz polne posode *		
⑥	Vtičnica *		
⑦/⑧	Regulacija vrtljajev * / Nastavitev premera sesalne cevi *		
⑩	Zapah		
⑪	Sesalni nastavek		
⑫	Vrtljivi drsnik *		
⑬	Vrtljivo kolesce		
⑭	Posoda		
⑮	Kolo		
⑯	Zapiralo		
⑰	Ohišje motorja		
⑱	Nosilna plošča		
⑲	Pokrov		
C	Kasete z nagubanim filtrom	G	Papirnata filtrska vrečka
D	Zaščitni filtri za motor	H	PE-vrečka za praznjenje in odstranjevanje

EL

①	Λαβή στο καπάκι		
②	Λαβή		
③	Πλάκα διακοπών *		
④	Περιστρεφόμενος διακόπτης *		
⑤	Ένδειξη πλήρωσης *		
⑥	Υποδοχή ρεύματος *		
⑦/⑧	Ρύθμιση αριθμού στροφών * / Ρύθμιση της διαμέτρου του εύκαμπτου σωλήνα αναρρόφησης *		
⑩	Μηχανισμός ασφάλισης		
⑪	Στόμιο αναρρόφησης		
⑫	Περιστρεφόμενος σύρτης *		
⑬	Τροχός οδήγησης		
⑭	Κάδος		
⑮	Τροχός		
⑯	Ασφάλεια		
⑰	Περιβλήμα μοτέρ		
⑱	Πλάκα φορέα		
⑲	Καπάκι		
C	Κασέτες πτυχωτών φίλτρων	G	Χάρτινος φίλτροσάκος
D	Φίλτρο προστασίας μοτέρ	H	Σάκος απόρριψης πολυεστέρα

RUS

①	Рукоятка на крышке		
②	Рукоятка		
③	Выключатель*		
④	Поворотный выключатель*		
⑤	Индикатор заполнения		
⑥	Розетка*		
⑦/⑧	Регулятор количества оборотов* / Регулировка диаметра всасывающего шланга*		
⑩	Замок сервисного отсека.		
⑪	Воздухозаборник		
⑫	Поворотная заслонка*		
⑬	Рулевое колесо		
⑭	Контейнер		
⑮	Колесо		
⑯	Замок		
⑰	Моторный отсек		
⑱	Подставка		
⑲	Крышка		
C	Складчатый кассетный фильтр	G	Бумажный фильтр-мешок
D	Защитный фильтр мотора	H	Полиэтиленовый фильтр-мешок

AR

	مقبض الغطاء		①
	المقبض		②
	لوحة مفاتيح		③
	مفتاح دوار		④
	مؤشر مستوى الامتلاء		⑤
	مقبس التوصيل		⑥
	التحكم بالسرعة/ضبط قطر خرطوم الشفط		⑧/⑦
	مزلاج		⑩
	فتحة إدخال		⑪
	مقبض دوار		⑫
	عجلة توجيه		⑬
	حاوية		⑭
	عجلة		⑮
	قفل		⑯
	مبيت المحرك		⑰
	لوحة داعمة		⑱
	غطاء		⑲
	كيس ترشيح ورقي	G	قابلة للتطبيق C
	كيس ترشيح وتخلص مصنوع من البولي إثيلين	H	مرشح حماية المحرك D

## TECHNIAL DATA

Rated power	1400	W
Max. power	1600	W
Voltage	110 / 220	V~
Current	6,5	A
Frequency	50 / 60	Hz
Air flow at the fan	64	l / s
Negative pressure at the fan	260	hPa
Dimensions (L x H x B)	550 x 550 x 400	mm
Cable	6	m
Connection line on vacuum cleaners with plug socket	H05RR-F 3G1,5	
Noise level	69,0	dB(A)

### Tests and approvals

Electro-technical tests must be carried out in accordance with the accident prevention regulations (BGV A3) and in accordance with DIN VDE 0701 Part 1 and Part 3. These tests are required in accordance with DIN VDE 0702 at regular intervals and after repair or modification.

A dust-technical check must be carried out at least once a year by the manufacturer or a trained person, e. g. for damage to the filter, dust-tightness of the vacuum cleaner, function of the monitoring equipment.

We declare in our own sole responsibility that this product Typ Spit AC 1625 and AC 1630P complies with the EU directives and definitive standards: Low voltage directive 73/23/EEC with amendments, electromagnetic compatibility directive EN 60335-2-69 with amendments.

Paul van Beek  
Business Manager

Ruben Bernaert  
Product Manager

ITW Heger  
Industriepark  
Cardijnlaan 3  
B-8600 Diksmuide  
Belgien





## BEFORE USE

When unpacking, check that the delivery is complete and that there is no transport damage.

Before using, the operators should be provided with information, instructions and training for the use of the vacuum cleaner and the substances that it is to be used for, including the safe procedure for the removal of the gathered material.

## INDICATOR AND OPERATING ELEMENTS

Select from the following functions and settings:

0		Vacuum cleaner is switched off	- Plug socket current-conducting
I		Vacuum cleaner is running	- Plug socket current-conducting - Automatic shaker function off
A		Ready for operation	- Plug socket current-conducting - Automatic shaker function off
AC		Ready for operation Automatic shaker function	- Plug socket current-conducting - Automatic shaker function on - The vacuum cleaner is switched on and off via the connected electrical/compressed air tool* at the plug socket.
		Automatic shaker function	- Automatic shaker function on; 2min
		Fill level indicator * ⑥	- When the container is full and/or there is a blockage in the suction hose, the full indicator lights up. On the <b>M</b> and <b>H</b> vacuum cleaners, an acoustic signal is also emitted.
		Speed regulation * ⑦	- The suction performance can be regulated using the speed regulator.
		Setting the suction hose diameter * ⑧	- Determine the maximum negative pressure for automatic shaking.

(\*depending on the equipment variant of your vacuum cleaner)



## COMMISSIONING

### Switching on and off

**CAUTION: Electric tools and compressed air tools must be switched off when they are connected.**

The plug socket on the vacuum cleaner will always be live when the mains plug is plugged in, irrespectively of the position of the switch.

NOTE: If the switch is in the >0< position, the plug socket on the vacuum cleaner can be use as an extension lead.

Connection value: Vacuum cleaner + connected unit, maximum 16 A.

Insert the plug into socket

<b>0</b>	Vacuum cleaner is switched off
<b>I</b>	Vacuum cleaner switched on without shaker function
<b>A</b>	Vacuum cleaner on standby Vacuum cleaner switched on without shaker function Ready mode for ON/OFF automatic mode. (Suction unit is switched ON/OFF by the electrical tool)
<b>AC</b>	Vacuum cleaner on standby Ready mode like "A" plus automatic filter cleaning. The vacuum cleaner only switches on when the tool is switched on. After the tool is switched off, the vacuum cleaner runs on for approx. 10 sec to prevent any residue from collecting in the hose.

Set the vacuum cleaner to the switch position >0<.

Pull out the plug after you have finished.

Fix the suction hose in the accessory storage location\* on the back of the container for storage.

The ends of the hose can be pushed into each other to prevent particles of dirt from coming out.

**CAUTION: Selector switch for minimum material flow (horn and light) on vacuum cleaners classes "M" and "H"**

In the modes >AC< and >A< the following setting is made, depending on the diameter of the hose:

Inside diameter of the hose	Switch position
Ø 35 mm	70 m³/h
Ø 27 mm	40 m³/h
Ø 21 mm	20 m³/h

No speed regulation is carried out. The vacuum cleaner always runs at max. speed.

## OPERATING MODES

When using the grip handle you can adapt the suction performance by using the slider to control access of air into the hose.

### Dry vacuum cleaning

You should only use the vacuum cleaner with a dry filter and appropriate accessories to prevent dust from accumulating and forming encrustations.

When using the vacuum cleaner to remove soot, cement, plaster, flour or similar dust we recommend using paper filter bags. Always use filter bags in combination with folding filter cassettes.

### Wet vacuum cleaning

**CAUTION: Switch the vacuum cleaner off immediately if foam or liquid starts to come out. Empty the container and, if necessary, the folding filter cassette.**

NOTE: Clean the water level sensors regularly and examine for signs of damage.

Vacuum cleaning without paper filter bags.

The folding filter cassettes are designed for wet vacuum cleaning.

The fitted sensor switches the motor off when the container is full.

The handling of the vacuum cleaner can be compromised by a full container.

Empty the vacuum cleaner.

**CAUTION: If the vacuum cleaner is not switched off, the re-start protection unit remains operative. Only after switching off and re-starting is the vacuum cleaner ready for use again.**

Remove the suction hose from the liquid before emptying.

After switching off, a small quantity of water can flow back out of the hose, as a result of the high suction level and the favourable flow condition in the container.

If you use it as a dry vacuum cleaner, you must insert dry filters.

NOTE: If you change between dry and wet vacuum cleaning frequently, we recommend using a second set of filters, preferably polyester folding filter cassettes.

## PERMANENT FILTER CLEANING

The vacuum cleaner is fitted with an electromagnetic filter cleaning unit which can be used to shake the dust off the folding filter cassettes.

The folding filter cassettes are cleaned alternately so that continuous working can be guaranteed

## EMPTYING THE CONTAINER

**NOTE: Only permitted for dust with AGW's > 1 mg/m<sup>3</sup>**

Switch the vacuum cleaner off, pull the mains plug out.

Open the latches.

Remove the cover and suction hose from the container.

Empty the container by pouring out.

### Dispose of the paper filter bag

Pull the mains plug out.

Fit mouth protection.

Remove suction hose, close off the suction spigot with a plug.

Open the side latches, remove the top section.

Carefully pull the flange off the suction spigot and close off the flange.

Dispose of the vacuumed up material in accordance with legal requirements.

### Dispose of the PE emptying and disposal bag

PE emptying and disposal bag: Switch the vacuum cleaner on, shake the folding filter cassettes. Switch off the vacuum cleaner.

Fit mouth protection.

Remove suction hose, close off the suction spigot with a plug.

Open the side latches, remove the top section.

Before setting aside the top section, switch to >A< position, to draw up any floating dust which may exist.

Close off the PE emptying and disposal bag carefully with the tape provided.

Carefully pull the flange off the suction spigot and close it off.

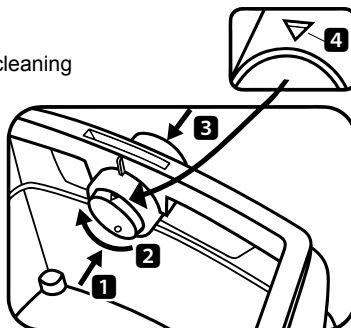
Remove the PE emptying and disposal bag carefully from the container.

Dispose of the vacuumed up material in accordance with legal requirements.

### Insert paper filter bag

NOTE: Only use paper filter bags for dry vacuum cleaning

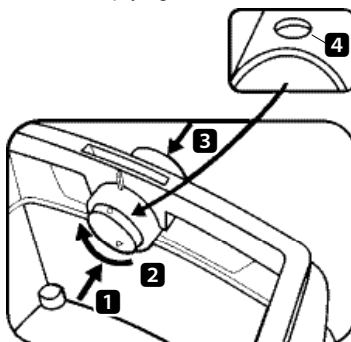
Slide the flange completely over the suction aperture.  
Place the rotary slider in the suction aperture with the mark **4** ▲ pointing upwards.  
Place the upper section on the container and close the side latches.



### Insert PE emptying and disposal bag

NOTE: Only the vacuum cleaners class **M** and **H** with special containers and rotary slider in the suction aperture are suitable for the use of PE Emptying and disposal bags.

Place the rotary slider in the suction aperture with the mark **4** ● pointing upwards.  
Slide the flange completely over the suction aperture and place the upper bag opening over the edge of the container.  
Place the upper section on the container and close the side latches.



### **Operating the rotary slider:**

Push the rotary slider from the inside to the outside **1**, turn through 180° **2** (see mark **4**) and then push inwards again from the outside through the suction spigot **3**.

## **CHANGING THE FILTER**

### Changing the folding filter

Shake the folding filter cassettes before changing them.

Turn the lock on the latch **Z** through 90° in a counter-clockwise direction with a coin or similar object and push the latch to the rear.

Fold the hood up.

Immediately isolate the folding filter cassettes **C** that you have removed in a dust-tight plastic bag and dispose of properly in accordance with the stipulations.

Insert new folding filter cassettes.

Lift the locking bracket up, fold the hood down and click in place with light pressure.

## Changing the motor protection filter

NOTE: If the motor protection filter is contaminated this indicates defective filter cassettes.

Replacing the folding filter cassettes.

Replace the motor protection filter or wash the motor protection filter under flowing water, dry and re-insert.

## **MAINTENANCE**

NOTE: Switch the vacuum cleaner off and pull out the mains plug before any maintenance work.

For maintenance by the user, the vacuum cleaner must be

- dismantled,
- cleaned and
- maintained,

as far as possible without creating any danger to the maintenance personnel or other.

### Precautionary measures

Suitable precautionary measures include

- Cleaning before dismantling,
- Provide local filtered positive ventilation where the vacuum cleaner is to be dismantled,
- Clean the maintenance area and
- suitable personal protection equipment.

### Precautionary measures with vacuum cleaners class H and M

The outside of the vacuum cleaner should be cleaned and wiped down or should be treated with a sealing agent before being removed from the dangerous area. All parts of the vacuum cleaner must be considered to be contaminated when they are removed from the danger area and suitable handling must be used to prevent dust distribution.

### Contaminated items

When carrying out maintenance or repair work, all contaminated items which have not been adequately cleaned must be disposed of. Such items must be disposed of in impermeable bags in accordance with the applicable regulations concerning the disposal of such waste.

### Technical testing

A technical examination must be carried out at least once a year by a trained person: check the filter for damage, ensure that the vacuum cleaner is air-tight and check that the monitoring equipment functions correctly.

### Testing the effectiveness of the vacuum cleaner

NOTE: In addition, the effectiveness of the vacuum cleaner class "H" must be checked at least once a year.

There must be an adequate air exchange rate L in the room if the exhaust air returns to the room. Further information can be taken from your national regulations.

If the suction of the vacuum cleaner reduces and the cleaning procedure of the folding filter cassettes increases, the suction performance is not adequate (provided that the container is empty and the paper filter bag has been replaced) then it is necessary to replace the folding filter cassettes.

## CLEANING

NOTE: Acids, alkalis and solvents can corrode the vacuum cleaner parts.  
Clean the container and accessories with water.  
Wipe the top section with a damp cloth.  
Allow the container and accessories to dry



## REPAIR

**DANGER: Inappropriately repaired vacuum cleaners present a danger to the operator.  
Have repairs carried out by specialists, e. g. customer service. Use only genuine spare parts.**

## TRANSPORT

Insert the closing plug of the vacuum cleaner into the suction aperture.  
The motor head must be securely fixed to the container (close the latches).  
Place the accessories in a suitable plastic bag and seal the plastic bag or place it in the tool storage compartment.  
Plug the ends of the suction hose into each other.  
Place the hose around the vacuum cleaner and clamp onto the handle.

## FIRST AID IN THE EVENT OF A FAULT

Fault	Possible cause	Remedy
Reduction in suction	Filter contaminated Paper filter full Container full Nozzle, pipes or hose blocked	Clean. Change. Empty. Clean.
Vacuum cleaner will not start	Mains plug plugged in? Mains power missing? Mains cable OK? Cover closed properly? Water sensor switched off? Vacuum cleaner in readiness for operation >AC<?	Set to >I< or >A< .
The vacuum cleaner does not start when the tool is switched on in the >AC< mode	Is the mains plug of the unit in the plug socket?	Put the mains plug in the vacuum cleaner plug socket
	Solenoid valve of compressed air automatic switch-on contaminated?	Flush the compressed air automatic switch-on with alcohol
PE emptying and disposal bag is sucked against the filter	Position of rotary slider incorrect	Set rotary slider to  position.
Vacuum cleaner classes M or H: with inserted paper filter dust in filter	Position of rotary slider incorrect	Set rotary slider to  position.

Do not take any other action and contact the central customer service workshop.

Puissance nominale	1400	W
Puissance maxi	1600	W
Tension	110 / 220	V~
Courant	6,5	A
Fréquence	50 / 60	Hz
Flux d'air à hauteur de la soufflante	64	l / s
Dépression à hauteur de la soufflante	260	hPa
Mesure (L x H x B)	550 x 550 x 400	mm
Câble	6	m
Câble d'alimentation pour aspirateurs avec prise	H05RR-F 3G1,5	
Pression acoustique	69,0	dB(A)

### Contrôles et homologations

Des contrôles électrotechniques doivent être exécutés conformément aux prescriptions de prévention des accidents (BGV A3) et à la norme DIN VDE 0701 partie 1 et partie 3. Ces contrôles sont nécessaires, conformément à la norme DIN VDE 0702, à intervalles réguliers et après une remise en état ou des modifications.

Un contrôle de l'étanchéité de l'aspirateur, par exemple pour vérifier l'absence de dégâts du filtre, l'étanchéité de l'aspirateur ainsi que le fonctionnement des dispositifs de contrôle doit être effectué une fois par an par le fabricant ou une personne initiée.

Nous déclarons sous notre responsabilité exclusive que ce produit concorde avec les directives CE et les normes applicables : Directive Machines 2006/42/CE avec modifications, directive CEM 2004/108/CE avec modifications.

Les aspirateurs ont été soumis avec succès au contrôle conformément à IEC/EN 60335-2-69.

Paul van Beek  
Gérant  
produit

Ruben Bernaert  
Manager de


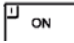


ITW Heger  
Industriepark  
Cardijnlaan 3  
B-8600 Diksmuide  
Belgien

## AVANT L'UTILISATION

Lors du déballage, vérifier l'intégralité et l'absence d'avarie de transport. Les utilisateurs doivent, avant l'utilisation, obtenir les informations, les instructions et les formations concernant l'utilisation de l'aspirateur et des substances pour lesquelles il doit être utilisé, y compris le procédé fiable pour l'élimination du matériel aspiré.

## ÉLÉMENTS D'AFFICHAGE ET DE COMMANDE

Sélectionner les fonctions et les réglages suivants :

0		Aspirateur hors marche	- Prise conductrice de tension
I		Aspirateur en marche	- Prise conductrice de tension - Fonction de vibration automatique désactivée
A		Mode de veille	- Prise conductrice de tension - Fonction de vibration automatique désactivée
AC		Mode de veille Fonction de vibration automatique	- Prise conductrice de tension - Fonction de vibration automatique activée - L'aspirateur est mis en marche et hors marche par le biais de l'outil électrique/à air comprimé raccordé à la prise.
		Fonction de vibration automatique	- Fonction de vibration automatique désactivée; 2min
		Indicateur de niveau de remplissage * ⑥	- L'indicateur de niveau de remplissage s'allume lorsque la cuve est pleine et/ou que le flexible d'aspiration est obstruée. Un signal acoustique retentit en supplément sur des aspirateurs des catégories <b>M</b> et <b>H</b> .
		Régulation du nombre de tours * ⑦	- La puissance d'aspiration peut être réglée en continu au moyen du régulateur du nombre de tours.
		Réglage du diamètre du flexible d'aspiration * ⑧	- Déterminer les valeurs maximales de dépression pour la vibration automatique.

(\* selon la variante d'équipement de l'aspirateur)



Mise en marche et hors marche

**PRUDENCE: L'outil électrique resp. l'outil à air comprimé doivent être hors marche lors du raccordement.**

Lorsque la fiche secteur est branchée, la prise sur l'aspirateur est toujours sous tension, peu importe la position de l'interrupteur.

REMARQUE: Lorsque l'interrupteur est positionné sur >0<, la prise sur l'aspirateur peut être utilisée comme rallonge.

Puissance raccordée: Aspirateur + outil raccordé, au maximum 16 A.

Brancher la fiche dans la prise.

<b>0</b>	Aspirateur hors marche
<b>I</b>	Aspirateur en marche sans fonction de vibration
<b>A</b>	Aspirateur en mode de veille Disponibilité pour l'automatisme de mise en/hors marche. (L'aspirateur est mis en et hors marche par l'outil électrique) Aspirateur en marche avec fonction de vibration automatique
<b>AC</b>	Aspirateur en mode de veille Mode de disponibilité comme „A“ plus nettoyage automatique du filtre. Après la mise hors marche de l'outil, l'aspirateur continue encore à fonctionner pendant env. 10 secondes ; ceci permet d'éviter qu'une quantité résiduelle reste dans le flexible.

Commuter l'interrupteur sur l'aspirateur en position >0<.

Débrancher la fiche secteur à la fin.

Pour ranger le tube d'aspiration, le fixer sur l'aspirateur en l'enfichant dans le porte-accessoires prévu à ce but et figurant au dos de la cuve.

Les extrémités du flexible peuvent être rassemblées afin d'éviter l'évacuation de particules de poussières.

**PRUDENCE: Présélecteur pour signal de débit volumétrique minimal (klaxon et lampe) pour aspirateurs des catégories « M » et « H »**

Le réglage indiqué ci-dessous est effectué en mode >AC< et >A< en fonction du diamètre du flexible

Diamètre intérieur du flexible	Position de l'interrupteur
Ø 35 mm	70 m³/h
Ø 27 mm	40 m³/h
Ø 21 mm	20 m³/h

Une régulation du nombre de tours n'est pas effectuée.

L'aspirateur fonctionne toujours à un nombre de tours maximal.

## MODES DE SERVICE

Si le tube-poignée est utilisé, la puissance d'aspiration peut être adaptée avec la valve d'air secondaire.

### Aspiration de solides

Aspirer uniquement avec un filtre, un aspirateur et des accessoires secs afin d'éviter que les poussières restent collées et ne s'incrustent.

Pour l'aspiration de suie, ciment, farine ou poussières semblables, nous recommandons l'utilisation d'un sac filtrant en papier. Toujours utiliser un sac filtrant en papier en combinaison avec des cassettes à filtre plissé.

### Aspiration de liquides

**AVERTISSEMENT: Immédiatement mettre l'aspirateur hors marche si de la mousse ou du liquide s'échappent de l'appareil.**

**Vider la cuve et le cas échéant, la cassette à filtre plissé.**

REMARQUE: Nettoyer régulièrement les capteurs de niveau d'eau et les examiner pour constater d'éventuels signes d'endommagement.

Aspirer sans sac filtrant en papier.

Les cassettes à filtre plissé sont appropriées pour l'aspiration de liquides.

Le capteur intégré met le moteur hors marche lorsque la cuve est pleine. Si la cuve est pleine, le maniement de l'aspirateur peut être entravé.

Vider l'aspirateur

**PRUDENCE: Si l'aspirateur n'est pas mis hors marche, la protection contre la remise en marche continue à rester efficace. L'aspirateur est de nouveau prêt au fonctionnement après la mise hors marche et la remise en marche.**

Avant la vidange, tout d'abord sortir le flexible d'aspiration du liquide.

Suite à une performance élevée d'aspiration et à une forme aérodynamique de la cuve, un peu d'eau peut ressortir du flexible après la mise hors marche.

Pour une aspiration de solides par la suite, utiliser des filtres secs.

REMARQUE: En cas d'alternances fréquentes entre l'aspiration de solides et de liquides, nous recommandons l'utilisation d'un deuxième élément filtrant, de préférence des cassettes à filtre plissé en polyester.

L'aspirateur est équipé d'un dispositif électromagnétique de nettoyage du filtre permettant d'éliminer par vibration les poussières restant collées aux cassettes à filtre plissé.

Les cassettes à filtre plissé sont nettoyées alternativement l'une après l'autre de manière à pouvoir garantir un travail en continu.

## VIDANGE DE LA CUVE

**REMARQUE: Uniquement admissible pour des poussières avec des valeurs limites > 1 mg/m<sup>3</sup>**

Mettre l'aspirateur hors marche, débrancher la fiche secteur.

Ouvrir les fermetures.

Retirer le couvercle et le flexible d'aspiration de la cuve.

Renverser la cuve pour la vider.

### Éliminer le sac filtrant en papier

Débrancher la fiche secteur

Porter un masque.

Retirer le flexible d'aspiration, fermer la tubulure d'aspiration avec un bouchon.

Ouvrir les fermetures latérales, retirer la partie supérieure.

Tirer prudemment la bride de la tubulure d'aspiration et fermer la bride.

Éliminer les matières aspirées de manière conforme aux stipulations légales.

### Élimination du sac PE de vidange et d'élimination

Sac PE de vidange et d'élimination: mettre l'aspirateur en marche, nettoyer les cassettes à filtre plissé par vibration. Mettre l'aspirateur hors marche.

Porter un masque.

Retirer le flexible d'aspiration, fermer la tubulure d'aspiration avec un bouchon.

Ouvrir les fermetures latérales, retirer la partie supérieure.

Commuter l'interrupteur en position >A< avant de déposer la partie supérieure afin d'aspirer d'éventuelles particules en suspension tombant.

Fermer prudemment le sac PE de vidange et d'élimination avec la bande de protection fournie en annexe.

Retirer prudemment la bride de la tubulure d'aspiration et la fermer.

Sortir prudemment le sac PE de vidange et d'élimination de la cuve

Éliminer les matières aspirées de manière conforme aux stipulations légales.

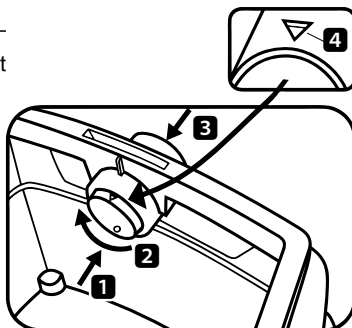
### Mise en place du sac filtrant en papier

REMARQUE: Utiliser uniquement le sac filtrant en papier pour l'aspiration de solides.

Pousser la bride complètement au-dessus de l'orifice d'aspiration

Placer le régulateur rotatif dans l'orifice d'aspiration en tournant le marquage **4** ▲ vers le haut.

Placer la partie supérieure sur la cuve et fermer les fermetures latérales.



### Mise en place du sac PE de vidange et d'élimination

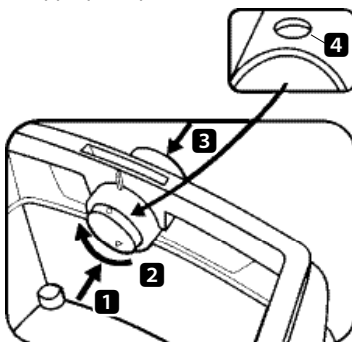
REMARQUE: Uniquement les aspirateurs des catégories **M** et **H** avec cuve spéciale et régulateur rotatif dans l'orifice d'aspiration sont appropriés pour l'utilisation de sacs PE de vidange et d'élimination.

Placer le régulateur rotatif dans l'orifice d'aspiration en tournant le marquage **4** ● vers le haut.

Pousser la bride complètement au-dessus de la tubulure d'aspiration, poser l'ouverture supérieure du sac au-dessus du bord de la cuve. Placer la partie supérieure sur la cuve et fermer les fermetures latérales.

#### **Maniement du régulateur rotatif:**

Pousser le régulateur rotatif de l'intérieur vers l'extérieur **1**, le tourner de 180° **2** (voir le marquage **4**) et puis le pousser de nouveau de l'extérieur vers l'intérieur, à travers la tubulure d'aspiration **3**.



## **REMPACEMENT DU FILTRE**

### Remplacement du filtre plissé

Nettoyer les cassettes à filtre plissé par vibration avant de remplacer le filtre.

Tourner la fermeture sur le verrou **Z** de 90° contre le sens horaire en utilisant une pièce ou autre objet semblable et pousser le verrou vers l'arrière.

Relever le capot

Après avoir retiré les cassettes à filtre plissé **C**, immédiatement les renfermer dans un sac plastique étanche aux poussières et les éliminer conformément aux stipulations.

Mettre en place de nouvelles cassettes à filtre plissé.

Relever l'étrier de verrouillage, rabattre le capot et le bloquer en appuyant légèrement dessus.

## Remplacement du filtre de la protection-moteur

REMARQUE: Un filtre de protection-moteur encrassé signale que les cassettes à filtre sont défectueuses.

Remplacer les cassettes à filtre plissé.

Remplacer le filtre de protection-moteur resp. nettoyer le filtre de protection-moteur sous l'eau courante, le sécher et le remettre en place.

## **MAINTENANCE**

Remarque: Toujours mettre l'aspirateur hors marche et débrancher la fiche secteur avant d'effectuer des travaux de maintenance.

Pour des travaux de maintenance effectués par l'utilisateur, l'aspirateur doit être

- désassemblé,
- nettoyé et
- entretenu,

dans la mesure du possible, sans pour autant présenter des risques pour le personnel de maintenance et d'autres personnes.

### Mesures de précaution

Des mesures de précaution appropriées comprennent

- le nettoyage avant le démontage,
- des mesures préventives pour une ventilation forcée filtrée locale là où l'aspirateur est démonté,
- le nettoyage de la zone de maintenance et
- un équipement de protection individuelle approprié.

### Mesures de précautions pour aspirateurs des catégories H et M

La partie extérieure de l'aspirateur doit être nettoyée en aspirant les poussières et en l'essuyant avec un chiffon ou bien elle doit être traitée avec du mastic, avant de les sortir de la zone dangereuse. Toutes les pièces des aspirateurs doivent être considérées comme encrassées lorsqu'elles sont sorties de la zone dangereuse et des actions appropriées doivent être réalisées pour éviter une répartition des poussières.

### Objets encrassés

Lors de l'exécution de travaux de maintenance ou de réparation, tous les objets encrassés n'ayant pas pu être suffisamment nettoyés, doivent être éliminés. Pour éliminer de tels objets, ils doivent être placés dans des sacs imperméables, en accord avec les stipulations en vigueur pour l'élimination de tels déchets.

### Contrôle technique

Le fabricant ou ne personne possédant une formation adéquate doit exécuter un contrôle technique au moins une fois par an, lequel comprend par exemple le contrôle des filtres pour constater l'absence de dégâts, le contrôle de l'étanchéité à l'air de l'aspirateur et du fonctionnement correct du dispositif de contrôle.

### Tester l'efficacité de l'aspirateur

REMARQUE: pour des aspirateurs de la catégorie H, l'efficacité de l'aspirateur doit être contrôlée en supplément au moins une fois par an.

Le taux de renouvellement d'air L dans la pièce doit être suffisant si l'évacuation de l'air retourne dans la pièce. Pour d'autres remarques, se référer aux stipulations nationales respectives.

Si la puissance d'aspiration de l'aspirateur diminue et qu'elle n'augmente plus, même après avoir nettoyé les cassettes à filtre plissé (à condition que la cuve soit vidée et que le sac filtrant en papier ait été remplacé), il est nécessaire de remplacer les cassettes à filtre plissé.

## NETTOYAGE

REMARQUE: Les acides, l'acétone et les solvants risquent d'attaquer des pièces de l'aspirateur.

Nettoyer la cuve et les accessoires à l'eau.  
Essuyer la partie supérieure avec un chiffon humide.  
Laisser sécher la cuve et les accessoires.

## RÉPARATION

**DANGER: Des aspirateurs réparés de manière incompétente présentent des dangers pour l'utilisateur.**  
**Ne faire exécuter des travaux de réparation que par du personnel spécialisé (SPIT), tel que par exemple le service après-vente. N'utiliser que des pièces de rechange d'origine.**

## TRANSPORT

Enficher le bouchon d'obturation de l'aspirateur dans l'orifice d'aspiration.  
La tête du moteur doit être reliée de manière fiable avec la cuve (fermer les fermetures).  
Placer les accessoires dans des sacs plastiques appropriés et fermer les sacs plastiques resp. les placer dans le porte-accessoires.  
Rassembler la fin du flexible d'aspiration et le début du flexible d'aspiration.  
Poser le flexible autour de l'aspirateur et le coincer sur la poignée.

Erreur	Eventuelle cause	Elimination
Réduction de la performance d'aspiration	Filtre encrassé Filtre en papier plein Cuve pleine Buse, tubes ou flexible colmatés	Nettoyer Remplacer Vider Nettoyer
Aspirateur ne démarre pas	Fiche secteur est-elle enfichée dans la prise? Réseau est-il sans tension? Câble d'alimentation est-il en bon état? Couvercle est-il fermé correctement? Capteur de niveau est-il désactivé? Aspirateur est-il en mode de veille « AC » ?	Commuter l'interrupteur sur « I » ou « A »
Aspirateur ne démarre pas en mode >AC< à la mise en marche de l'outil	Fiche secteur de l'outil est-il enfiché dans la prise de l'appareil? Electrovanne du dispositif automatique de mise en marche d'air comprimé est-elle encrassée?	Enficher la fiche secteur dans la prise de l'aspirateur Rincer le dispositif automatique de mise en marche d'air comprimé* à l'alcool
Sac PE de vidange et d'élimination est aspiré contre les filtres	Mauvaise position du régulateur rotatif	Commuter le régulateur rotatif en position <b>4</b> ●.
Aspirateurs des catégories M ou H: avec filtre en papier mis en place, poussières dans la cuve	Mauvaise position du régulateur rotatif	Commuter le régulateur rotatif en position <b>4</b> ▲.

N'effectuer aucune autre action, mais plutôt contacter l'atelier central du service après-vente.

## TECHNISCHE DATEN

Nennleistung	1400	W
Max. Leistung	1600	W
Spannung	110 / 220	V~
Strom	6,5	A
Frequenz	50 / 60	Hz
Luftstrom am Gebläse	64	l / s
Unterdruck am Gebläse	260	hPa
Maße (L x H x B)	550 x 550 x 400	mm
Kabel	6	m
Anschlussleitung bei Saugern mit Steckdose	H05RR-F 3G1,5	
Schalldruck	69,0	dB(A)

### Prüfungen

Elektrotechnische Prüfungen sind nach den Vorschriften der Unfallverhütungsvorschrift (BGV A3) und nach DIN VDE0701 Teil 1 und Teil 3 durchzuführen. Diese Prüfungen sind gemäß DIN VDE 0702 in regelmäßigen Abständen und nach Instandsetzung oder Änderung erforderlich.

Es ist mindestens jährlich vom Hersteller oder einer unterwiesenen Person eine staubtechnische Überprüfung durchzuführen, z. B. auf Beschädigung des Filters, Dichtigkeit des Gerätes, Funktion der Kontrolleinrichtungen.

### CE-Zulassungserklärung

Wir erklären hiermit eigenverantwortlich, dass die in dieser Erklärung genannten Geräte vom Typ Spit AC 1625 und AC 1630P den folgenden Normen sowie den Auflagen in weiteren Schriftstücken mit normativem Charakter entsprechen.

Wir erklären eigenverantwortlich, dass dieses Produkt folgenden Normen bzw. Normierungsschriften entspricht: EN60335-2-69.

Paul van Beek  
Geschäftsführer

Ruben Bernaert  
Produktmanager

ITW Heger  
Industriepark  
Cardijnlaan 3  
B-8600 Diksmuide  
Belgien







## VOR DEM GEBRAUCH

Achten Sie beim Auspacken auf Vollständigkeit und Transportschäden. Vor dem Gebrauch sollten die Benutzer mit Informationen, Anweisungen und Schulungen für den Gebrauch des Saugers und der Substanzen, für die es benutzt werden soll, einschließlich des sicheren Verfahrens der Beseitigung des aufgenommenen Materials, versorgt werden.



## ANZEIGE- UND BEDIENELEMENTE

Wählen Sie folgende Funktionen und Einstellungen:

0		Sauger ausgeschaltet	Steckdose spannungsführend
I		Sauger läuft	Steckdose spannungsführend Automatische Rüttlerfunktion aus
A		Bereitschaftsbetrieb	Steckdose spannungsführend Automatische Rüttlerfunktion aus
AC		Bereitschaftsbetrieb Automatische Rüttlerfunktion	Steckdose spannungsführend Automatische Rüttlerfunktion ein Sauger wird durch angeschlossenes Elektro-/Druckluft-Werkzeug* an der Steckdose ein- und ausgeschaltet.
		Automatische Rüttlerfunktion	Automatische Rüttlerfunktion ein; 2min.
		Füllanzeige * ⑥	Bei vollem Behälter und/oder Verstopfungen am Saugschlauch leuchtet die Füllanzeige. Bei Saugern der Klasse M und H ertönt zusätzlich ein akustisches Signal.
		Drehzahlregulierung * ⑦	Regulieren Sie mit dem Drehzahlregler stufenlos die Saugleistung.
		Einstellung des Saugschlauch-Durchmessers * ⑧	Bestimmen Sie die maximalen Unterdruckwerte für die automatische Abrüttelung bei entsprechendem Schlauchdurchmesser

\* je nach Ausstattungsvariante Ihres Saugers

## INBETRIEBNAHME

### Ein- und Ausschalten

**WARNUNG: Elektrowerkzeug bzw. Druckluftwerkzeug muss beim Anschluß abgeschaltet sein**

Die Steckdose am Sauger steht bei eingestecktem Netzstecker unabhängig von der Schalterstellung immer unter Spannung.

HINWEIS: In Schalterstellung >0< kann die Steckdose am Sauger als Verlängerungskabel verwendet werden.

Anschlusswert: Sauger + angeschlossenes Gerät maximal 16 A.

Stecker in Steckdose stecken.

<b>0</b>	Sauger ausgeschaltet
<b>I</b>	Sauger eingeschaltet ohne Rüttlerfunktion
<b>A</b>	Sauger auf Standby Bereitschaftsbetrieb für Ein-/Ausschaltautomatik. (Sauger wird vom Elektrowerkzeug ein- und ausgeschaltet)
<b>AC</b>	Sauger auf Standby Bereitschaftsbetrieb wie „A“ plus automatische Filterabreinigung. Erst beim Einschalten des Werkzeugs schaltet der Sauger automatisch ein. Nach Abschalten des Werkzeugs läuft der Sauger für ca. 10 sec nach, dadurch wird verhindert, dass eine Restmenge im Schlauch bleibt

Sauger auf Schalterstellung >0< stellen.

Nach Beendigung Netzstecker ziehen.

Zur Aufbewahrung des Saugrohrs durch Einstecken in die vorgesehenen Aussparungen an der Behälter-Rückwand fixieren.

Die Schlauchenden können zusammengesteckt werden, damit keine Schmutzpartikel austreten.

**ACHTUNG: Vorwahlschalter für Mindestvolumenstromsignal (Hupe und Leuchte) bei Saugern der Klasse „M“ und „H“.**

Im Modus >AC< und >A< wird in Abhängigkeit vom Schlauchdurchmesser folgende Einstellung vorgenommen:

Schlauchinnendurchmesser	Schalterstellung
Ø 35 mm	70 m³/h
Ø 27 mm	40 m³/h
Ø 21 mm	20 m³/h

Es erfolgt keine Drehzahlregulierung. Der Sauger läuft immer mit max. Drehzahl.

Bei Verwendung des Griffrohres kann mit dem Nebenluftschieber die Saugleistung angepasst werden.

### Trockensaugen

Nur mit trockenem Filter, Sauger und Zubehör saugen, damit Staub nicht haften bleibt und verkrustet.

Wenn Ruß, Zement, Gips, Mehl oder ähnliche Stäube gesaugt werden, empfehlen wir einen Papier-Filterbeutel einzusetzen. Papier-Filterbeutel immer in Verbindung mit Faltenfilterkassetten einsetzen.

### Nasssaugen

**WARNUNG: Bei Austritt von Schaum oder Flüssigkeit sofort Sauger ausschalten. Behälter und ggf. Faltenfilterkassette entleeren.**

VORSICHT: Die Wasserstandsbegrenzungseinrichtung regelmäßig reinigen und auf Anzeichen von Beschädigung untersuchen.

Ohne Papier-Filterbeutel saugen.

Die Faltenfilterkassetten sind zum Nasssaugen geeignet.

Der eingebaute Sensor schaltet den Motor bei vollem Behälter ab.

Die Handhabung des Saugers kann durch einen gefüllten Behälter beeinträchtigt werden.

Sauger entleeren.

**ACHTUNG: Wird der Sauger nicht ausgeschaltet, bleibt weiterhin der Wiederanlaufschutz wirksam.**

**Erst nach dem Abschalten und dem erneuten Einschalten ist der Sauger wieder betriebsbereit.**

Vor dem Entleeren zuerst den Saugschlauch aus der Flüssigkeit nehmen.

Durch hohe Saugleistung und strömungsgünstige Behälterform kann nach dem Abschalten etwas Wasser aus dem Schlauch zurücklaufen.

Bei anschließendem Trockensaugen trockene Filter einsetzen.

HINWEIS: Bei häufigem Wechsel zwischen Trocken- und Nasssaugen empfehlen wir den Einsatz eines zweiten Filtersatzes, vorzugsweise Polyester-Faltenfilterkassetten.

## PERMANENTE FILTERABREINIGUNG

Der Sauger ist mit einer elektromagnetischen Filterabreinigung ausgestattet, mit der anhaftender Staub von den Faltenfilterkassetten abgerüttelt wird. Die Faltenfilterkassetten werden abwechselnd nach Erreichen eines eingestellten Mindestvolumenstroms nacheinander gereinigt, so dass kontinuierliches Arbeiten garantiert ist.

## BEHÄLTER ENTLEREEN

**ACHTUNG: Nur zulässig bei Stäuben mit AGW's > 1 mg/m<sup>3</sup>.**

Sauger ausschalten, Netzstecker ziehen.  
Verschlüsse öffnen.  
Deckel und Saugschlauch vom Behälter nehmen.  
Behälter auskippen.

### Papier-Filterbeutel entsorgen

Netzstecker ziehen.  
Mundschutz anziehen.  
Saugschlauch entfernen, Ansaugstutzen mit Stopfen verschließen.  
Seitliche Verschlüsse öffnen, Oberteil abnehmen.  
Flansch vorsichtig von dem Ansaugstutzen ziehen und Flansch verschließen.  
Sauggut gemäß den gesetzlichen Bestimmungen entsorgen.

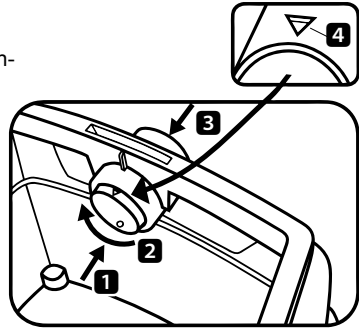
### PE-Entleer- und Entsorgungsbeutel entsorgen

Netzstecker ziehen.  
PE-Entleer- und Entsorgungsbeutel: Sauger ausschalten, Faltenfilterkassetten abrütteln.  
Mundschutz anziehen.  
Saugschlauch entfernen, Ansaugstutzen mit Stopfen verschließen.  
Seitliche Verschlüsse öffnen, Oberteil abheben. Oberteil, vor dem Abstellen, auf Schalterstellung >A< einschalten, damit evtl. abfallender Schwebstaub angesaugt wird.  
PE-Entleer- und Entsorgungsbeutel vorsichtig mit dem beiliegenden Verschlussband verschließen.  
Flansch vorsichtig von dem Ansaugstutzen ziehen und verschließen.  
PE-Entleer- und Entsorgungsbeutel vorsichtig aus Behälter nehmen.  
Sauggut gemäß den gesetzlichen Bestimmungen entsorgen.

### Papier-Filterbeutel einsetzen

HINWEIS: Papier-Filterbeutel nur zum Trockensaugen verwenden.

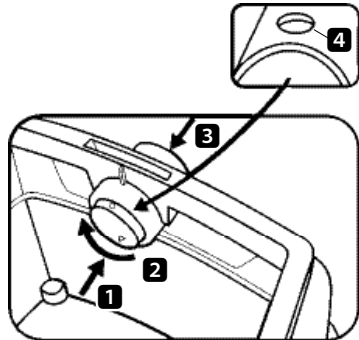
Flansch über die Ansaugöffnung schieben.  
Drehschieber in der Ansaugöffnung mit der Markierung **4** ▲ nach oben stellen.  
Flansch über die Ansaugöffnung schieben.  
Oberteil auf Behälter setzen und seitliche Verschlüsse schließen.



### PE-Entleer- und Entsorgungsbeutel einsetzen

HINWEIS: Nur die Sauger der Klasse „M“ und „H“ mit Spezialbehälter und Drehschieber in der Ansaugöffnung sind für die Verwendung von PE-Entleer- und Entsorgungsbeuteln geeignet.

Drehschieber in der Ansaugöffnung mit der Markierung **4** ● nach oben stellen.  
Flansch über Ansaugstutzen schieben, obere Beutelöffnung über Behälterrand legen.  
Oberteil auf Behälter setzen und seitliche Verschlüsse schließen.



### **Bedienung des Drehschiebers:**

Drehschieber von innen nach außen drücken **1**, 180° verdrehen **2** (siehe Markierung **4**) und von außen durch den Ansaugstutzen wieder nach innen drücken **3**.

## **FILTER WECHSELN**

### Faltenfilter wechseln

Faltenfilterkassetten vor dem Filterwechsel abrütteln.  
Mit Münze oder ähnlichem Gegenstand den Verschluss am Riegel **Z** um 90° gegen den Uhrzeigersinn drehen und Riegel nach hinten drücken.  
Haube aufklappen.  
Die entnommenen Faltenfilterkassetten **C** sofort in einen staubdichten Kunststoffbeutel verschließen und bestimmungsgemäß entsorgen.  
Neue Faltenfilterkassetten einsetzen.  
Verriegelungsbügel hochheben, Haube herunterklappen und durch leichtes Drücken arretieren.

### Motorschutzfilter wechseln

HINWEIS: Sollte der Motorschutzfilter verschmutzt sein, weist dies auf defekte Filterkassetten hin.

Faltenfilterkassetten ersetzen.

Motorschutzfilter ersetzen bzw. den Motorschutzfilter unter fließendem Wasser auswaschen, trocknen und wieder einsetzen.

## **WARTUNG**

HINWEIS: Vor jeder Wartung Sauger ausschalten und Netzstecker ziehen.

Zur Wartung durch den Benutzer muss der Sauger:

- auseinandergenommen,
- gereinigt und
- gewartet werden,

soweit es durchführbar ist, ohne dabei eine Gefahr für das Wartungspersonal und andere Personen hervorzurufen.

### Vorsichtsmaßnahmen

Geeignete Vorsichtsmaßnahmen beinhalten:

- Reinigung vor der Demontage
- Vorsorge treffen für örtliche gefilterte Zwangsentlüftung, an der der Sauger demontiert wird
- Reinigung des Wartungsbereichs
- Geeignete persönliche Schutzausrüstung

### Vorsichtsmaßnahmen bei Saugern der Klassen „H“ und „M“

Das Äußere des Saugers sollte durch Staubabsaugverfahren gereinigt und sauber abgewischt werden oder mit Abdichtmitteln behandelt werden, bevor sie aus dem gefährlichen Gebiet genommen werden. Alle Saugerteile müssen als verunreinigt angesehen werden, wenn sie aus dem gefährlichen Gebiet genommen werden, und geeignete Handlungen müssen vorgenommen werden, um eine Staubverteilung zu vermeiden.

### Verunreinigte Gegenstände

Bei der Durchführung von Wartungs- oder Reparaturarbeiten müssen alle verunreinigte Gegenstände, die nicht zufriedenstellend gereinigt werden können, entsorgt werden. Solche Gegenstände müssen in undurchlässigen Beuteln in Übereinstimmung mit den gültigen Bestimmungen für die Beseitigung solchen Abfalls entsorgt werden.

### Technische Überprüfung

Der Hersteller oder eine ausgebildete Person muss mindestens jährlich eine technische Überprüfung durchführen, die zum Beispiel aus der Überprüfung der Filter auf Beschädigung, der Luftdichtheit des Saugers und des richtigen Funktionierens der Kontrolleinrichtung besteht.

## Wirksamkeit des Saugers testen

ANMERKUNG: Zusätzlich sollte bei Saugern der Klasse „H“ die Wirksamkeit des Saugers mindestens jährlich überprüft werden.

Es muss eine ausreichende Luftwechselrate L in dem Raum vorhanden sein, wenn die Abluft in den Raum zurückgeht. Weitere Hinweise entnehmen Sie bitte Ihren nationalen Bestimmungen.

Lässt die Saugleistung des Saugers nach und erhöht auch das Abreinigen der Faltenfilterkassetten die Saugleistung nicht mehr (vorausgesetzt, Behälter ist geleert und Papier-Filterbeutel ist ausgetauscht), dann ist es notwendig, die Faltenfilterkassetten auszutauschen.



## REINIGUNG

HINWEIS: Säure, Azeton und Lösungsmittel können Saugerteile anätzen.

Behälter und Zubehör mit Wasser reinigen.

Oberteil mit feuchtem Tuch abwischen.

Behälter und Zubehör trocknen lassen.

## REPARATUR

**GEFAHR: Nicht fachgerecht reparierte Sauger stellen eine Gefahr für den Benutzer dar.**

**Reparaturen nur von SPIT Kundendienst ausführen lassen.**

**Nur Original-Ersatzteile verwenden.**

## TRANSPORT

Verschlussstopfen des Saugers in Saugöffnung stecken.

Motorkopf muss mit Behälter sicher verbunden sein (Verschlüsse schließen)

Zubehör in geeignete Kunststoffbeutel stecken und Kunststoffbeutel verschließen bzw. in Werkzeugdepot stecken.

Saugschlauchende in Bajonettverschluss stecken.

Schlauch um Sauger legen und am Griff einklemmen.

## SELBSTHILFE BEI STÖRUNGEN

Störung	Mögliche Ursache	Behebung
Nachlassen der Saugleistung	Filter verschmutzt Papierfilter voll Behälter voll Düse, Rohre oder Schlauch verstopft	Reinigen Wechseln Entleeren Reinigen
Sauger läuft nicht an	Netzstecker in Steckdose? Netz spannungslos? Netzkabel in Ordnung? Deckel richtig geschlossen? Wassersensor abgeschaltet? Sauger im Bereitschaftsbetrieb >AC<?	Auf >I< oder >A> stellen
Sauger läuft beim Einschalten des Werkzeugs im >AC< Modus nicht an	Netzstecker des Werkzeugs in Gerätesteckdose? Magnetventil der Druckluft-Einschaltautomatik verschmutzt?	Netzstecker in Staubsaugersteckdose stecken Druckluft-Einschaltautomatik mit Alkohol durchspülen
PE-Entleer- und Entsorgungs-beutel wird an die Filter angesaugt	Position Drehschieber falsch	Drehschieber auf Position <b>4</b> ● stellen
Sauger der Klasse „M“ oder „H“: bei eingesetztem Papierfilter Staub im Behälter	Position Drehschieber falsch	Drehschieber auf Position <b>4</b> ▲ stellen

Keine weiteren Eingriffe vornehmen, sondern zentrale SPIT Kundendienstwerkstatt kontaktieren.

## DATI TECNICI

Potenza nominale	1400	W
Potenza max.	1600	W
Tensione	110/220	V~
Corrente	6,5	A
Frequenza	50/60	Hz
Flusso aria sul ventilatore	64	l / s
Depressione sul ventilatore	260	hPa
Dimensioni (L x H x B)	550 x 550 x 400	mm
Cavo	6	m
Cavo di alimentazione per aspiratori con presa di corrente	H05RR-F 3G1,5	
Pressione acustica	69,0	dB(A)

### Controlli e omologazioni

Eseguire verifiche elettroniche secondo le disposizioni in materia di tutela dell'ambiente (BGV A3) e secondo la norma DIN VDE 0701 parte 1 e parte 3. In conformità alla norma DIN VDE 0702 queste verifiche sono necessarie a intervalli regolari dopo un'eventuale modifica o riparazione.

Almeno una volta l'anno il produttore o una persona specializzata devono eseguire un controllo tecnico delle polveri, ad e s. danneggiamento del filtro, tenuta dell'aspiratore, funzione degli impianti di controllo.



Typ Spit AC 1625 e AC 1630P

Dichiariamo sotto nostra unica responsabilità che il prodotto è conforme alle direttive comunitarie e alle norme di riferimento: alla direttiva bassa tensione 73/23/CEE con modifiche, alla direttiva sulla compatibilità elettromagnetica 89/336/CEE con modifiche. Gli aspiratori sono stati collaudati con successo in accordo alla norma IEC/EN 60335-2-69.

Paul van Beek  
Direttore amministrativo

Ruben Bernaert  
Prodotto manager

ITW Heger  
Industriepark  
Cardijnlaan 3  
B-8600 Diksmuide  
Belgien



## PRIMA DELL'UTILIZZO

Disimballare l'apparecchio e verificare la completezza dei componenti ed eventuali danni di trasporto.

Prima dell'utilizzo fornire agli utilizzatori informazioni, istruzioni e un'eventuale formazione sull'utilizzo dell'aspiratore e delle sostanze da impiegare, compreso il metodo sicuro di rimozione del materiale raccolto.



## DISPLAY ED ELEMENTI DI COMANDO

Selezionare le seguenti funzioni e impostazioni:

0		Aspiratore disinserito	- Presa sotto tensione
I		Aspiratore in funzione	- Presa sotto tensione - Funzione di vibrazione automatica OFF
A		Funzionamento standby	- Presa sotto tensione - Funzione di vibrazione automatica OFF
AC		Funzionamento standby	- Presa sotto tensione
		Funzione di vibrazione automatica	- Funzione di vibrazione automatica ON - L'aspiratore viene acceso/spento mediante l'elettrotensile ad aria compressa* collegato alla presa.
		Funzione di vibrazione automatica	- Funzione di vibrazione automatica ON; 2min
		Indicatore serbatoio * ⑥	- A serbatoio pieno e/o in caso di intasamento nel tubo di aspirazione l'indicatore serbatoio si accende. Gli aspiratori di classe M e H prevedono anche un avviso acustico.
		Regolazione numero giri * ⑦	- Regolare la potenza di aspirazione con il regolatore numero giri.
		Impostazione diametro tubo flessibile di aspirazione ⑧*	- Definire i valori massimi di depressione per il funzionamento di vibrazione automatica.

(\* a seconda della variante dell'aspiratore)

## MESSA IN FUNZIONE

### Accensione e spegnimento

**ATTENZIONE: Durante il collegamento l'elettrodomestico/l'utensile ad aria compressa deve essere disinserito**

In caso di spina inserita, la presa sull'aspiratore è indipendente dalla posizione dell'interruttore sempre sotto tensione.

NOTA: Posizionando l'interruttore su >0< la presa sull'aspiratore può essere utilizzata come prolunga.

Valore di collegamento: aspiratore + apparecchio collegato max. 16 A.

Inserire la spina nella presa di corrente

<b>0</b>	Aspiratore disinserito
<b>I</b>	Aspiratore inserito senza funzionamento di vibrazione
<b>A</b>	Aspiratore in standby Stand-by per la modalità automatica di acceso/spento. (Si accende e si spegne l'aspiratore dell'utensile elettrico in uso)
<b>AC</b>	Aspiratore in standby Stand-by come "A" plus Pulizia filtro automatica Solo all'accensione dell'apparecchio, l'aspiratore si accende automaticamente. Dopo lo spegnimento dell'apparecchio, l'aspiratore resta in funzione per circa 10 sec per evitare che residui di materiale rimosso restino depositati nel tubo.

Aspiratore con posizione dell'interruttore su >0<.

Dopo l'utilizzo staccare la spina.

Per custodire il flessibile dell'aspiratore inserirlo nel porta accessori\* e fissarlo al pannello posteriore del serbatoio.

Le estremità del flessibile possono essere collegate in modo da evitare l'eventuale fuoriuscita di particelle di sporco residue.

**ATTENZIONE: Preselettore per segnale flusso di volume minimo (segnale acustico e luminoso) in aspiratori di classe «M» e «H»**

In modalità >AC< e >A< viene eseguita la seguente impostazione in funzione del diametro del tubo:

Diametro interno tubo	Posizione interruttori
Ø 35 mm	70 m³/h
Ø 27 mm	40 m³/h
Ø 21 mm	20 m³/h

Non ha luogo alcuna regolazione del numero di giri.  
L'aspiratore funziona sempre alla massima velocità.

## TIPI DI FUNZIONAMENTO

Nel caso di utilizzo del tubo con presa la potenza di aspirazione può essere adattata alla valvola dell'aria secondaria.



### Aspirazione di solidi

Solo con filtro asciutto; l'aspiratore e gli accessori aspirano in modo che la polvere non rimanga attaccata o si incrosta.

Per aspirare fuliggine, cemento, gesso, farina o polveri simili, si consiglia di utilizzare un sacchetto filtro di carta. Utilizzare sempre sacchetti filtro di carta in combinazione con cartucce filtro pieghettato.

### Aspirazione di liquidi

**Avvertenza: In caso di fuoriuscita di schiuma o di liquidi spegnere immediatamente l'aspiratore. Svuotare il serbatoio ed eventualmente la cartuccia filtro pieghettato.**

ATTENZIONE: Pulire regolarmente i sensori del livello dell'acqua e controllare eventuali segni di danneggiamento.

Aspirare senza sacchetto filtro di carta.

Le cartucce filtro pieghettato sono adatte all'aspirazione di sostanze liquide.

Il sensore incorporato spegne il motore in caso di serbatoio pieno. La messa in funzione dell'aspiratore può essere pregiudicata dal serbatoio pieno.

Svuotare l'aspiratore

**ATTENZIONE: Se l'aspiratore è spento, la protezione anti-riavviamento continua ad essere attiva. Solo dopo lo spegnimento e la riaccensione l'aspiratore è di nuovo pronto per l'uso.**

Prima di svuotare, estrarre innanzitutto il tubo flessibile di aspirazione dai liquidi.

Ad una potenza di aspirazione elevata e con una forma aerodinamica del serbatoio, dopo lo spegnimento può rifluire un po' d'acqua dal tubo.

Per la successiva aspirazione di solidi, utilizzare filtri asciutti.

NOTA: Se si alterna spesso tra aspirazione di solidi e di liquidi si raccomanda l'utilizzo di un filtro sostitutivo, preferibilmente una cartuccia filtro pieghettato in poliestere.

## PULIZIA PERMANENTE DEL FILTRO

L'aspiratore è dotato di un sistema di pulizia del filtro elettromagnetico, grazie al quale è possibile eliminare la polvere attaccata alle cartucce filtro pieghettato.

Le cartucce filtro pieghettato vengono pulite alternativamente, in modo da garantire un ciclo di lavoro continuo.

## SVUOTAMENTO DEL SERBATOIO

**ATTENZIONE: Ammesso solo in presenza di polveri con AGW > 1 mg/m<sup>3</sup>**

Spegnere l'aspiratore, staccare la spina.

Aprire le chiusure.

Rimuovere il coperchio e il tubo flessibile di aspirazione dal serbatoio.

Inclinare il serbatoio.

Smaltire il sacchetto filtro di carta

Staccare la spina.

Serrare la mascherina.

Rimuovere il tubo flessibile di aspirazione, chiudere il bocchettone di aspirazione con il tappo\*.

Aprire le chiusure laterali, rimuovere la parte superiore.

Tirare con cautela la flangia del bocchettone di aspirazione e chiudere la flangia.

Smaltire il materiale aspirato secondo le disposizioni di legge.

Smaltimento del sacchetto PE per svuotamento e smaltimento

Sacchetto PE per svuotamento e smaltimento: Azionare l'aspiratore, scuotere le cartucce filtro pieghettato. Spegnere l'aspiratore..

Serrare la mascherina.

Rimuovere il tubo flessibile di aspirazione, chiudere il bocchettone di aspirazione con il tappo.

Aprire le chiusure laterali, rimuovere la parte superiore.

Prima di spegnere l'apparecchio, impostare la parte superiore su >A<, in modo da aspirare l'eventuale polvere in sospensione.

Chiudere con cautela il sacchetto PE per svuotamento e smaltimento con il nastro di chiusura.

Tirare con cautela e chiudere la flangia del bocchettone di aspirazione

Estrarre il sacchetto PE per svuotamento e smaltimento con cautela dal serbatoio

Smaltire il materiale aspirato secondo le disposizioni di legge.

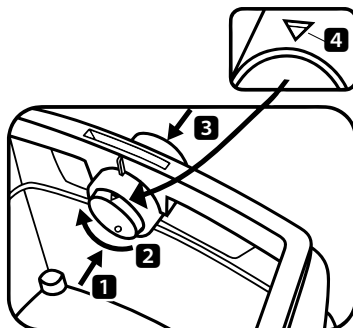
### Utilizzo del sacchetto filtro di carta

NOTA: Utilizzare il sacchetto filtro di carta per l'aspirazione di solidi.

Posizionare verso l'alto la valvola a maschio nell'apertura di aspirazione con indicazione **4** ▲.

Spingere completamente la flangia oltre l'apertura di aspirazione

Posizionare la parte superiore sul serbatoio e serrare la chiusura laterale.



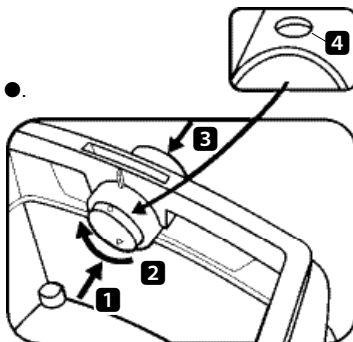
### Inserimento del sacchetto PE per svuotamento e smaltimento

NOTA: Solo l'aspiratore di classe **M** e **H** con serbatoio speciale e valvola a maschio nell'apertura di aspirazione sono adatti all'utilizzo di sacchetti PE per svuotamento e smaltimento.

Posizionare verso l'alto la valvola a maschio nell'apertura di aspirazione con indicazione **4** ●.

Spingere completamente la flangia oltre il bocchettone di aspirazione, posizionare l'apertura del sacchetto sul bordo del serbatoio.

Posizionare la parte superiore sul serbatoio e serrare la chiusura laterale.



### **Utilizzo della valvola a maschio**

Premere la valvola a maschio dall'interno verso l'esterno **1**, ruotare di 180° **2** (vedere l'indicazione **4**) e premere nuovamente dall'esterno verso l'interno mediante il bocchettone di aspirazione **3**.

## **SOSTITUZIONE DEL FILTRO**

### Sostituire il filtro pieghettato

Scuotere le cartucce filtro pieghettato prima di sostituire il filtro.

Con una moneta o un oggetto simile ruotare la chiusura sul blocco **Z** di 90° in senso antiorario e premerlo verso il basso.

Aprire la copertura

Chiudere immediatamente le cartucce filtro **C** estratte in un sacchetto di plastica resistente alla polvere e smaltire secondo le disposizioni vigenti.

Inserire nuove cartucce filtro pieghettato.

Sollevarne la staffa di bloccaggio, abbassare la copertura e bloccare mediante una leggera pressione.

## Sostituzione del filtro di protezione motore

NOTA: Se il filtro di protezione motore dovesse essere sporco, è una chiara indicazione di una cartuccia filtro difettosa.

Sostituire le cartucce filtro pieghettato.

Sostituire il filtro di protezione del motore o sciacquarlo sotto acqua corrente, asciugarlo e riposizionarlo.

## **ASSISTENZA**

NOTA: Prima di procedere a qualsiasi intervento spegnere l'aspiratore e staccare la spina.

Per la manutenzione da parte dell'utilizzatore l'aspiratore

- deve essere smontato,
- pulito e
- sottoposto a manutenzione,

nella misura in cui è fattibile, senza provocare un pericolo per il personale di manutenzione o terzi.

### Misure precauzionali

Misure precauzionali adeguate prevedono

- pulizia prima dello smontaggio,
- attenzione per lo sfiato forzato filtrato, in cui viene smontato l'aspiratore,
- pulizia della zona di manutenzione e
- equipaggiamento di protezione personale adeguato.

### Misure precauzionali per aspiratori di classe "H" e "M"

L'esterno dell'aspiratore deve essere pulito con aspirazione della polvere ed asciugato perfettamente o trattato con sigillante prima di essere portato fuori da una zona pericolosa. Tutte le parti dell'apparecchio devono essere considerate sporche quando tolte dalla zona pericolosa, e devono essere eseguite azioni appropriate per prevenire la dispersione della polvere.

### Elementi sporchi

Durante le operazioni di manutenzione o riparazione tutti gli elementi sporchi che non possono essere puliti bene devono essere eliminati. Tali elementi devono essere smaltiti in sacchetti a tenuta conformemente ai regolamenti vigenti in accordo con le disposizioni locali per lo smaltimento di tali materiali.

### Controllo tecnico

Il produttore o una persona competente deve eseguire almeno un controllo tecnico ogni anno, ad es. controllo dei filtri ed eventuale danneggiamento, ermeticità dell'aspiratore e corretto funzionamento del dispositivo di controllo.

## Verifica del funzionamento dell'aspiratore

OSSERVAZIONE: In caso di aspiratori di classe **H** il funzionamento deve essere verificato almeno una volta all'anno.

L'ambiente deve presentare un tasso di riciclo di aria **L** sufficiente, qualora l'aria aspirata torni nell'ambiente stesso. Per ulteriori informazioni consultare le disposizioni nazionali.

Se pur aumentando la pulizia delle cartucce filtro pieghettato la potenza dell'aspiratore diminuisce (presupponendo che il serbatoio sia vuoto e sia stato sostituito il sacchetto filtro di carta), sostituire le cartucce filtro di carta

## PULIZIA

NOTA: Acidi, acetone e solventi possono corrodere i componenti dell'aspiratore.

Pulire serbatoio e accessori con acqua.

Lavare la parte superiore con un panno umido.

Lasciare asciugare serbatoio e accessori.

## RIPARAZIONE

**Pericolo: Un aspiratore non riparato a regola d'arte rappresenta un pericolo per l'utilizzatore.**

**Per riparazioni rivolgersi esclusivamente a personale specializzato, ad e s. al servizio di assistenza (SPIT). Utilizzare solo pezzi di ricambio originali.**

## TRASPORTO

Inserire il tappo dell'aspiratore nell'apertura di aspirazione.

La testa del motore deve essere collegata in maniera sicura al serbatoio (serrare le chiusure).

Inserire gli accessori in un sacchetto di plastica adeguato, chiudere il sacchetto e riporlo nel porta utensili.

Collegare le due estremità del tubo flessibile di aspirazione.

Posizionare il tubo intorno all'aspiratore e stringere sull'impugnatura.

## INTERVENTI PERSONALI IN CASO DI PROBLEMI

Problema	Possibile causa	Soluzione
Potenza di aspirazione diminuita	Filtro sporco Filtro carta pieno Serbatoio pieno Ugello, tubi o flessibili ostruiti	Pulire. Sostituire. Svuotare. Pulire.
L'aspiratore non si mette in funzione	Spina di rete nella presa di corrente? Rete senza tensione? Cavo di rete in ordine? Coperchio chiuso correttamente? Sensore acqua disinserito? Aspiratore in funzionamento standby «AC»?	Posizionare su «I» o «A».
All'accensione dell'apparecchio in modalità >AC< l'aspiratore non si mette in funzione	Spina di rete dell'apparecchio nella presa dell'apparecchio? Elettrovalvola del sistema di accensione automatica a pressione pulita?	Inserire la spina di rete nella presa dell'aspiratore Sciacquare con alcol il sistema di accensione automatica a pressione
Il sacchetto PE per svuotamento e smaltimento aderisce al filtro in fase di aspirazione	Posizione errata valvola a maschio	Posizionare la valvola a maschio su <b>4</b> ●.
Aspiratore della classe "M" o "H": con filtro di carta inserito, polvere nel serbatoio	Posizione errata valvola a maschio	Posizionare la valvola a maschio su <b>4</b> ▲.

Non eseguire nessun altro intervento e contattare il servizio di assistenza centrale.

## TECHNISCHE GEGEVENS

Nominaal vermogen	1400	W
Max. vermogen	1600	W
Spanning	110 / 220	V~
Stroom	6,5	A
Frequentie	50 / 60	Hz
Luchtstroom aan ventilator	64	l / s
Onderdruk aan ventilator	260	hPa
Massa (L x H x B)	550 x 550 x 400	mm
Kabel	6	m
Aansluitleiding bij zuigers met stopcontact	H05RR-F 3G1,5	
Geluidsniveau	69,0	dB(A)

### Tests en goedkeuringen

Elektrotechnische tests moeten volgens de voorschriften van het ongevalpreventievoorschrift (BGV A3) en volgens DIN VDE 0701 deel 1 en deel 3 worden uitgevoerd. Deze tests moeten volgens DIN VDE 0702 met regelmatige intervallen en na reparatie of verandering worden uitgevoerd.

Het apparaat moet minstens eens per jaar door de fabrikant of door een geïnstrueerd persoon aan een stoftechnische test worden onderworpen bijv. door controle op beschadiging van het filter, dichtheid van de zuiger en het functioneren van de controlesystemen.



Typ Spit AC 1625 en AC 1630P

Wij verklaren als hoofdelijk verantwoordelijken dat dit product overeenstemt met onderstaande EEG-richtlijnen en van toepassing zijnde normen: laagspanningsrichtlijn 73/23/EEG met aanpassingen, EMC-richtlijn 89/336/EEG met aanpassingen.

De zuiger is volgens IEC/EN 60335-2-69 succesvol getest.

Paul van Beek  
Directeur

Ruben Bernaert  
Product Management

ITW Heger  
Industriepark  
Cardijnlaan 3  
B-8600 Diksmuide  
Belgien




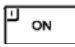

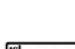
## VOOR HET GEBRUIK

Controleer bij het uitpakken op volledigheid en transportschade.  
 Voor het gebruik moeten de gebruikers voorzien worden van informatie, aanwijzingen en instructies over het gebruik van de zuiger en de substanties waarvoor deze ingezet moet worden, met inbegrip van de veilige procedure over het afvoeren van opgezogen materialen.

NL

## INDICATIE- EN BEDIENINGSELEMENTEN

Selecteer de volgende functies en instellingen:

0		Zuiger uitgeschakeld	- Stopcontact staat onder spanning
I		Zuiger loopt	- Stopcontact staat onder spanning - Automatische afschudfunctie uit
A		Gekoppelde werking	- Stopcontact staat onder spanning - Automatische afschudfunctie uit
AC		Gekoppelde werking Automatische afschudfunctie	- Stopcontact staat onder spanning - Automatische afschudfunctie aan - Zuiger wordt door een aangesloten elektrisch/ persluchtgereedschap* op het stopcontact aan- en uitgeschakeld.
		Automatische afschudfunctie	- Automatische afschudfunctie aan; 2min
		Niveau-indicatie * ⑥	- Bij een vol reservoir en/of verstoppingen aan de zuigslang brandt de niveau-indicatie. Bij zuigers van klasse <b>M</b> en <b>H</b> klinkt bovendien een akoes- tisch signaal.
		Toerentalregeling * ⑦	- Met de toerentalregelaar kunt u de zuigprestaties traploos regelen.
		Instelling van de zuigslang- diameter * ⑧	- Bepaal de maximale onderdrukwaarden voor het automatische afschudden.

(\* afhankelijk van de uitrustingsvariant van uw zuiger)

## INGEBRUIKNAME

### Aan- en uitschakelen

#### **VOORZICHTIG: Elektrisch gereedschap of persluchtgereedschap moet bij het aansluiten uitgeschakeld zijn**

Als de apparaatstekker in het stopcontact zit, staat het stopcontact van de zuiger steeds onder spanning, ongeacht de stand van de schakelaar.

AANWIJZING : In schakelaarstand >0< kan het stopcontact aan de zuiger als verlengkabel toegepast worden.

Aansluitwaarde: Zuiger + aangesloten apparaat maximaal 16 A.

Stekker in stopcontact steken

<b>0</b>	Zuiger uitgeschakeld
<b>I</b>	Zuiger ingeschakeld zonder afschudfunctie
<b>A</b>	Zuiger op standby bedrijfsklare toestand voor aan-/uitschakelautomaat (zuiger wordt door elektrisch gereedschap aan- en uitgeschakeld)
<b>AC</b>	Zuiger op standby Zoals bij schakelstand „A“ plus automatische filterreiniging. Pas bij het inschakelen van het apparaat schakelt de zuiger automatisch in. Na het uitschakelen van het elektrische gereedschap loopt de zuiger ca. 10 seconden door, daardoor wordt voorkomen dat er een resthoeveelheid in de slang blijft zitten.

Zuiger op schakelaarstand >0< zetten.

Na beëindiging netstekker uit stopcontact nemen.

Voor het bewaren van de zuigslang door insteken in het de meegeleverde toebehorenhouder aan de achterwand van het reservoir bevestigen.

De slangeneinden kunnen in elkaar gestoken worden, zodat er geen stofdelen uitvallen.

#### **VOORZICHTIG: Voorkeuzeschakelaar voor minimumvolumestroomsignaal (claxon en lampje) bij zuigen van de klasse „M” en „H”**

In de modus >AC< en >A< wordt afhankelijk van de slangdiameter de volgende instelling uitgevoerd:

Binnendiameter slang	Schakelaarstand
Ø 35 mm	70 m³/h
Ø 27 mm	40 m³/h
Ø 21 mm	20 m³/h

Er vindt geen toerentalregeling plaats.

De stofzuiger loopt steeds met het maximale toerental.

## BEDRIJFSMODUSSEN

Bij toepassing van de buis met handgreep kunnen de zuigprestaties met de bijluchtschuif aangepast worden.

### Droogzuigen

Slechts met droog filter, zuiger en toebehoren zuigen zodat het stof niet blijft plakken en aankoekt.

Wij bevelen u aan een papieren filter te gebruiken wanneer, roet, cement, gips, meel of dergelijke stoffen opgezogen worden. De papieren filterzak steeds in combinatie met een vouwfiltercassette toepassen.

### Nat zuigen

**WAARSCHUWING: Als schuim of vloeistof uit de zuiger komt, moet u deze direct uitzetten. Reservoir en evt. vouwfiltercassette legen.**

VOORZICHTIG: De waterpeilsensoren regelmatig reinigen en onderzoeken op tekenen van beschadiging.

Zonder papieren filterzak zuigen.

Die filtercassettes zijn geschikt voor natzuigen.

De ingebouwde sensor schakelt de motor bij vol reservoir uit. Het gebruik van de zuiger kan door een vol reservoir bemoeilijkt worden.

Zuiger legen.

**VOORZICHTIG: Als de zuiger niet wordt uitgeschakeld, blijft de bescherming tegen onbedoeld starten in werking. Pas na het uitschakelen en het opnieuw inschakelen is de zuiger weer gereed voor gebruik.**

Vóór het legen eerst de zuigslang uit de vloeistof nemen.

Door hoge zuigprestaties en een voor de stroming gunstige reservoirvorm kan na het uitschakelen wat water uit de slang teruglopen.

Bij aansluitend droog zuigen een droog filter gebruiken.

AANWIJZING: Bij frequent wisselen tussen droog- en natzuigen bevelen wij de inzet van een tweede filterset aan, bij voorkeur een polyester filtercassette.

## PERMANENTE FILTERREINIGING

De zuiger is voorzien van een elektromagnetische filterreiniging waarmee het opgevangen stof van een filtercassette kan worden afgeschud.

De filtercassettes worden afwisselend na elkaar gereinigd, zodat een voortdurend functioneren gegarandeerd is.

## RESERVOIR LEGEN

### **AANWIJZING: Slechts goedgekeurd bij stoffen met kritische waarden op de werkplaats > 1 mg/m<sup>3</sup>**

Zuiger uitschakelen, netstekker uitnemen.

Sluitingen open.

Deksel en zuigslang van het reservoir afnemen.

Reservoir legen.

#### Papieren filterzak afvoeren

Netstekker uit het stopcontact nemen.

Mondbescherming aantrekken.

Zuigslang afnemen, aanzuigopening met stop afsluiten.

Zijsluitingen losmaken, bovendeeel afnemen.

Flens voorzichtig van de aanzuigopening afnemen en flens sluiten.

Opgezogen materiaal volgens wettelijke regels afvoeren.

#### PE-zak voor legen en afvoer van materiaal afvoeren

PE-zak voor legen en afvoer van materiaal: zuiger inschakelen, filtercassette afschudden. Zuiger uitschakelen.

Mondbescherming aantrekken.

Zuigslang afnemen, aanzuigopening met stop afsluiten.

Zijsluitingen losmaken, bovendeeel afnemen.

Bovendeeel, voor het wegzetten op schakelaarstand >A< zetten, zodat eventueel afvallend zweefstof aangezogen wordt.

PE-zak voor legen- en afvoer van materiaal voorzichtig met de bijgeleverde sluitband afsluiten.

Flens voorzichtig van de aanzuigopening afnemen en sluiten.

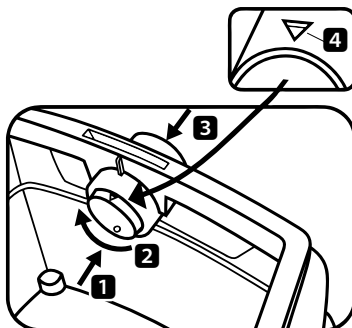
PE-zak voor legen- en afvoer van materiaal voorzichtig uit het reservoir nemen

Opgezogen materiaal volgens wettelijke regels afvoeren.

### Papieren filterzak plaatsen

AANWIJZING: Papieren filterzak alleen voor droog zuigen toepassen.

Flens volledig over de aanzuigopening schuiven. Draaischijf in de aanzuigopening met de markering **4** ▲ naar boven zetten. Bovendeel op het reservoir plaatsen en de zijsluitingen afsluiten.



NL

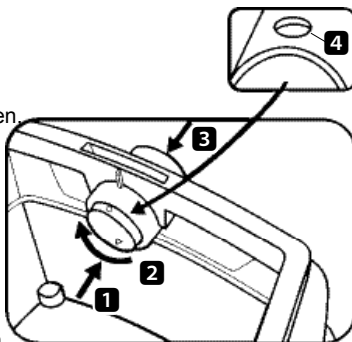
### PE-zak voor legen en afvoer van materiaal plaatsen

AANWIJZING: Alleen de zuigers van de klassen **M** en **H** met speciaalreservoirs en draaischuiven in de aanzuigopening zijn geschikt voor de toepassing van PE-zakken voor legen en afvoer van materiaal.

Draaischijf in de aanzuigopening met de markering **4** ● naar boven zetten.

Flens volledig over de aanzuigopening schuiven, bovenste zakopening over de rand van het reservoir leggen.

Bovendeel op het reservoir plaatsen en de zijsluitingen afsluiten.




### **Bediening van de draaischijf**

Draaischijf van binnen naar buiten drukken **1**, 180° verdraaien **2** (zie markering **4**) en van buiten door de aanzuigopening weer naar binnen drukken **3**.

## **FILTER VERVANGEN**

### Vouwfilter vervangen

Vouwfiltercassette voor het vervangen van het filter afschudden.

Met een munt of zoiets de sluiting van de vergrendeling  90° draaien tegen de klok in en vergrendeling naar achteren duwen.

Kap opklappen

De uitgenomen vouwfiltercassettes © meteen in een stofdichte plastic zak sluiten en volgens de regels afvoeren.

Nieuwe vouwfiltercassettes plaatsen.

Vergrendelingsbeugel omhoog trekken, kap naar beneden klappen en door licht aandrukken arreteren.

## MOTORFILTER VERVANGEN

AANWIJZING: Als het motorfilter vuil is, duidt dit op een defecte filtercassette.

Vouwfiltercassette vervangen.

Motorfilter vervangen, resp. het motorfilter onder stromend water uitwassen, drogen en weer plaatsen.

## ONDERHOUD

AANWIJZING: Voor elk onderhoud zuiger uitschakelen en netstekker uit het stopcontact nemen.

Voor onderhoud door de gebruiker moet de zuiger

- gedemonteerd,
- gereinigd en
- onderhouden worden,

voorzover het uit te voeren is, zonder daarbij een gevaar voor het onderhoudspersoneel en andere personen te veroorzaken.

### Veiligheidsmaatregelen

Geschikte veiligheidsmaatregelen aanhouden

- Reiniging voor de demontage,
- Voorzorgen treffen voor plaatselijk gefilterde geforceerde ontluchting waaronder de zuiger gedemonteerd wordt,
- Reiniging van de plaats waar het onderhoud plaatsvindt en
- geschikte persoonlijke veiligheidsuitrusting.

### Voorzorgsmaatregelen bij zuigers van de klassen “H” en “M”

De buitenzijde van de zuiger moet door het stofafzuigproces gereinigd en schoon afgeveegd of met afdichtmiddelen behandeld worden, voordat deze uit het gevaarlijke gebied genomen wordt. Alle zuigeronderdelen moet als verontreinigd beschouwd worden, wanneer ze uit het gevaarlijke gebied genomen worden. Daartoe geschikte maatregelen moeten worden genomen om een verspreiding van het stof te voorkomen.

### Verontreinigde voorwerpen

Bij het uitvoeren van onderhouds- en reparatiewerkzaamheden moeten alle verontreinigde voorwerpen worden afgevoerd die niet naar tevredenheid kunnen worden gereinigd. Zulke voorwerpen moeten in ondoorlatende zakken overeenkomstig de geldende regels voor de afvoer van dergelijk afval worden verwijderd.

### Technische controle

De fabrikant of een opgeleid persoon moet minstens jaarlijks een technische controle uitvoeren die bijvoorbeeld bestaat uit de controle van het filter op beschadiging, de luchtdichtheid van de zuiger en het juiste functioneren van het regelsysteem.

## EFFECTIVITEIT VAN DE ZUIGER TESTEN

OPMERKING: Aanvullend moet bij zuigers van de klasse H de effectiviteit van de zuiger minstens jaarlijks gecontroleerd worden.

Er moet een voldoende Ventilatie L in de ruimte voorhanden zijn als de uitgaande lucht in de ruimte teruggaat. Verdere aanwijzingen kunt u s.v.p. uit uw nationale regelgeving opmaken.

Als de zuigprestaties van de zuiger minder worden en als zelfs het reinigen van de vouwfiltercassette de prestaties niet meer verhoogt (vooropgezet dat het reservoir geleegd en de papieren filterzak vervangen is), dan is het nodig om de vouwfiltercassettes te vervangen.

NL

## REINIGING

AANWIJZING: Zuren, aceton en oplosmiddelen kunnen onderdelen etsen.

Reservoir en toebehoren met water reinigen.

Bovendeel met vochtige doek afwissen.

Reservoir en toebehoren laten drogen.

## REPARATIE

**GEVAAR: Onvakkundig gerepareerde apparaten vormen een risico voor de gebruiker.**

**Reparaties slechts door vakmensen, bijv. SPIT klantenservice laten uitvoeren. Alleen originele onderdelen gebruiken.**

## TRANSPORT

Afsluitstop van de zuiger in de zuigopening steken.

Motorkop moet veilig verbonden zijn met het reservoir (sluitingen afsluiten).

Toebehoren in daartoe bestemde plastic zak steken en plastic zak sluiten resp. in toebehorenhouder steken.

Zuigslangeinde en -begin in elkaar steken.

Slang om zuiger hangen en in handgreep klemmen.

## ZELF STORINGEN VERHELPEN

Storing	Mogelijke oorzaak	Oplossing
Verminderde zuigprestaties	Filter vuil Papierfilter vol Reservoir vol Mondstuk, buizen of slang verstopt	Reinigen. Vervangen. Legen. Reinigen.
Zuiger start niet	Netstekker in stopcontact? Net zonder spanning? Netsnoer in orde? Kap goed gesloten? Watersensor uitgeschakeld? Zuiger in gekoppelde modus „AC”?	Op „I” of „A” zetten
Zuiger start niet bij het inschakelen van het apparaat in de >AC< gekoppelde modus	Netstekker van het werktuig in stopcontact van de zuiger? Magneetklep van de persluchtinschakelautomaat* vervuild?	Netstekker in stopcontact van de stofzuiger steken Persluchtinschakelautomaat met alcohol doorspoelen
PE-zak voor legen en afvoer van materiaal wordt tegen filter aangezogen	Draaischuiﬀ in verkeerde stand	Draaischuiﬀ op de stand 4 ● zetten
Zuiger van de klasse M of H: bij geplaatst papieren filter stof in reservoir	Draaischuiﬀ in verkeerde stand	Draaischuiﬀ op de stand 4 ▲ zetten

Geen andere ingrepen uitvoeren maar contact opnemen met de centrale SPIT klantenservicewerkplaats.



## DATOS TÉCNICOS

Potencia nominal	1400	W
Potencia máx.	1600	W
Tensión	110 / 220	V~
Corriente	6,5	A
Frecuencia	50 / 60	Hz
Flujo de aire en el ventilador	64	l / s
Vacio aire en el ventilador	260	hPa
Masa (L x H x B)	550 x 550 x 400	mm
Cable	6	m
Cable de conexión en los aspiradores con caja de enchufe	H05RR-F 3G1,5	
Nivel de ruido	69,0	dB(A)

E

### Comprobaciones y certificados

Deben realizarse las comprobaciones electrotécnicas conforme a la normativa y a la norma de prevención de accidentes (BGV A3), así como DIN VDE 0701 parte 1 y parte 3. Dichas comprobaciones son necesarias conforme a DIN VDE 0702 a intervalos regulares y después de cada reparación o modificación.

El fabricante o una persona con la pertinente cualificación deben realizar una comprobación técnica relacionada con el polvo al menos una vez al año, p. ej. para determinar si el filtro presenta daños, si el aspirador es hermético, si los dispositivos de control funcionan.

### CE

Typ Spit AC 1625 y AC 1630P

Bajo nuestra propia y exclusiva responsabilidad declaramos que este producto cumple las normativas de la CCE y las normas pertinentes: normativa para la baja tensión 73/23/CCE con modificaciones, normativa EMV 89/336/CCE con modificaciones. Aspiradores examinados con resultado positivo con arreglo a IEC/EN 60335-2-69.

Paul van Beek  
Director general

Ruben Bernaert  
Gerente de Producto

ITW Heger  
Industriepark  
Cardijnlaan 3  
B-8600 Diksmuide  
Belgien


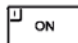


## ANTES DEL USO

Al extraer el aparato del embalaje, compruebe su integridad y si ha sufrido daños durante el transporte.

Antes del uso del aspirador, los usuarios deben recibir información, instrucciones y formación relativas al uso del mismo y de las sustancias para las que se desea utilizar, incluido el procedimiento seguro de eliminación del material recogido.

## ELEMENTOS DE INDICACIÓN Y DE MANDO

Seleccione las siguientes funciones y ajustes:

0		Aspirador desconectado	- La caja de enchufe suministra tensión
I		Aspirador en funcionamiento	- La caja de enchufe suministra tensión - Función automática de vibración desconectada
A		Preparado para el funcionamiento	- La caja de enchufe suministra tensión - Función automática de vibración desconectada
AC		Preparado para el funcionamiento Función automática de vibración	- La caja de enchufe suministra tensión - Función automática de vibración conectada - El aspirador se conecta y desconecta mediante la herramienta eléctrica/de aire comprimido conectada a la caja de enchufe.
		Función automática de vibración	- Función automática de vibración conectada; 2min
		Indicador de recipiente lleno * ⑥	- En caso de recipiente lleno y/o obstrucciones en la manguera de aspiración, el indicador de recipiente lleno se ilumina. En los aspiradores de la clase <b>M</b> y <b>H</b> suena adicionalmente una señal acústica.
		Regulación de velocidad * ⑦	- Regule la potencia de aspiración sin escalonamientos mediante el regulador de velocidad.
		Ajuste del diámetro de la manguera de aspiración * ⑧	- Determine los valores máximos de vacío para la función de vibración automática.

(\* depende de la variante de equipamiento de su aspirador)

## PUESTA EN FUNCIONAMIENTO

### Conexión y desconexión

**¡PRECAUCIÓN!: La herramienta eléctrica o de aire comprimido debe estar apagada al conectarla**

La caja de enchufe del aspirador se encuentra siempre bajo tensión cuando el conector de red está enchufado, independientemente de la posición del conmutador.

NOTA: Cuando el conmutador se encuentra en la posición >0< es posible utilizar la caja de enchufe del aspirador como cable de prolongación.

Valor de conexión: Aspirador + aparato conectado, máximo 16 A.



Introduzca el conector en la caja de enchufe

<b>0</b>	Aspirador desconectado
<b>I</b>	Aspirador conectado sin función de vibración
<b>A</b>	Aspirador en standby Preparado para encendido / apagado automático.(el aspirador se enciende y apaga con la herramienta eléctrica)
<b>AC</b>	Aspirador en standby posición de preparado como limpieza de filtro automático „A“ plus. Al conectarse la herramienta se conecta el aspirador de forma automática. Tras desconectar la herramienta, el aspirador sigue funcionando durante aprox. 10 s para, de esta forma, evitar que en la manguera permanezcan restos.

Sitúe el conmutador del aspirador en la posición >0<.

Extraiga el conector de red tras finalizar.

Para guardar el tubo de aspiración, fíjelo a la pared posterior del recipiente introduciéndolo en el soporte previsto para accesorios.

Es posible unir entre sí los extremos de la manguera para evitar que salgan partículas de suciedad.

**¡PRECAUCIÓN!: Selector de la señal de caudal mínimo (sonora y luminosa) en los aspiradores de la clase «M» y «H»**

En el modo >AC< e >A< es necesario realizar el siguiente ajuste en función del diámetro de la manguera:

Diámetro interior de la manguera	Posición del conmutador
Ø 35 mm	70 m³/h
Ø 27 mm	40 m³/h
Ø 21 mm	20 m³/h

No se produce ninguna regulación de velocidad.

El aspirador funciona siempre a la velocidad máxima.

## MODOS DE FUNCIONAMIENTO

Utilizando el tubo con asa es posible adaptar la potencia de aspiración mediante la corredera de aire adicional.

### Aspiración de material seco

Aspire solo con el filtro, aspirador y accesorios secos para que el polvo no quede pegado formando una costra.

Si es aspira hollín, cemento, yeso, harina u otros tipos de polvo similares, recomendamos utilizar una bolsa de filtro de papel. Utilice la bolsa de filtro de papel siempre en combinación con cartuchos de filtro en fuelle.

### Aspiración de material húmedo

**¡ADVERTENCIA!: Si empieza a salir espuma o líquido del aspirador, desconéctelo de inmediato. Vacíe el recipiente y, en caso necesario, el cartucho de filtro en fuelle.**

NOTA: Limpie los sensores de nivel de agua regularmente y compruebe si presentan daños.

Para aspirar, no utilice la bolsa de filtro de papel.

Los cartuchos de filtro en fuelle son adecuados para la aspiración de material húmedo.

El sensor integrado desconecta el motor cuando el recipiente se llena. La manipulación del aspirador puede verse afectada debido a que el recipiente se encuentre lleno.

Vacíe el aspirador

**¡PRECAUCIÓN!: Si no se desconecta el aspirador, la protección contra re arranque se mantiene activa. El aspirador vuelve a estar preparado para el funcionamiento solo tras desconectarlo y volver a conectarlo.**

Antes de vaciar, retire la manguera de aspiración del líquido.

Debido a la alta potencia de aspiración y a la forma del recipiente, adecuado para el flujo, puede salir algo de agua de la manguera tras la desconexión.

Si desea aspirar a continuación material seco, instale filtros secos.

NOTA: Si se cambia a menudo entre aspiración de material seco y húmedo, recomendamos utilizar un segundo juego de filtros, preferentemente cartuchos de filtro en fuelle de poliéster.

## LIMPIEZA CONSTANTE DE FILTROS

El aspirador está equipado con un dispositivo para la limpieza electromagnética de los filtros que permite extraer por vibración el polvo pegado a los cartuchos de filtro en fuelle.

Los cartuchos de filtro en fuelle se limpian alternativamente, uno tras otro, para garantizar un trabajo continuo.



## VACIADO DEL RECIPIENTE

**¡PRECAUCIÓN!: Solo se permite para polvo con valor límite en el puesto de trabajo > 1 mg/m<sup>3</sup>**

Desconecte el aspirador, extraiga el conector de red.

Abra los cierres.

Retire la tapa y la manguera de aspiración del recipiente.

Vierta el contenido del recipiente

### Eliminación de la bolsa de filtro de papel

Extraiga el conector de red.

Póngase una mascarilla protectora.

Retire la manguera de aspiración, cierre la toma de aspiración con el tapón.

Abra los cierres laterales, retire la parte superior.

Retire con cuidado la brida de la toma de aspiración y ciérrela.

Elimine el material aspirado conforme a las disposiciones legales.

### Elimine la bolsa de vaciado y eliminación de PE

Bolsa de vaciado y eliminación de PE: Conecte el aspirador, sacuda los cartuchos de filtro en fuelle. Desconecte el aspirador.

Póngase una mascarilla protectora.

Retire la manguera de aspiración, cierre la toma de aspiración con el tapón.

Abra los cierres laterales, retire la parte superior.

Sítue el interruptor de la parte superior en la posición >A< antes de la desconexión a fin de aspirar cualquier resto de polvo suspendido en el aire.

Cierre la bolsa de vaciado y eliminación de PE con cuidado utilizando la cinta de cierre incluida en el suministro.

Retire con cuidado la brida de la toma de aspiración y ciérrela

Retire con cuidado la bolsa de vaciado y eliminación de PE del recipiente

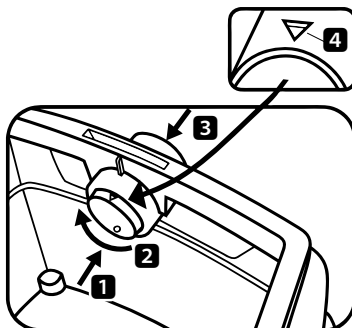
Elimine el material aspirado conforme a las disposiciones legales.

### Colocación de la bolsa de filtro de papel

NOTA: Utilice la bolsa de filtro de papel solo para aspirar material seco.

Desplace la brida completamente sobre la abertura de aspiración.  
Sitúe la corredera giratoria en la abertura de aspiración con la marca **4** ▲ hacia arriba.

Coloque la parte superior sobre el recipiente y cierre los cierres laterales.

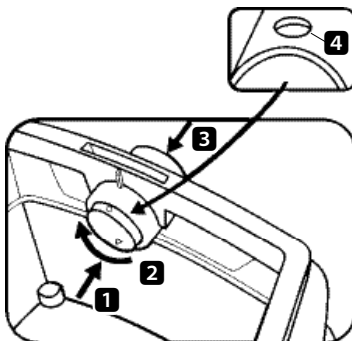


### Colocación de la bolsa de vaciado y eliminación de PE

NOTA: Solo los aspiradores de la clase **M** y **H** con recipientes especiales y corredera giratoria en la abertura de aspiración, son adecuados para utilizar las bolsas de vaciado y eliminación de PE.

Sitúe la corredera giratoria en la abertura de aspiración con la marca **4** ● hacia arriba.  
Desplace la brida completamente sobre la toma de aspiración, coloque la abertura superior de la bolsa sobre el borde del recipiente.

Coloque la parte superior sobre el recipiente y cierre los cierres laterales.



### **Manejo de la corredera giratoria:**

Presione la corredera giratoria desde dentro hacia fuera **1**, gírela 180° **2** (véase la marca **4**) y presiónela de nuevo desde fuera hacia dentro a través de la toma de aspiración. **3**.

## **CAMBIO DEL FILTRO**

### Cambio del filtro en fuelle

Sacuda los cartuchos de filtro en fuelle antes de cambiarlos.

Gire con una moneda o con un objeto similar el cierre del enclavamiento **Z** 90° en sentido antihorario y presione el enclavamiento hacia atrás.

Abata la cubierta

Cierre inmediatamente los cartuchos de filtro en fuelle **C** retirados dentro de una bolsa de plástico hermética al polvo y elimínelos de acuerdo a las disposiciones.  
Coloque cartuchos de filtro en fuelle nuevos.

Eleve el asa de enclavamiento, abata hacia abajo la cubierta y encájela ejerciendo una ligera presión.

### Cambio del filtro protector del motor

NOTA: Si el filtro protector del motor está sucio, esto es una señal de que los cartuchos de filtro se encuentran defectuosos.

Cambie los cartuchos de filtro en fuele.

Cambie el filtro protector del motor o limpie el filtro protector del motor con un chorro de agua, séquelo y vuelva a colocarlo.

## MANTENIMIENTO

E

NOTA: Desconecte el aspirador y extraiga el conector de red antes de iniciar el mantenimiento del aspirador.

Para realizar el mantenimiento, el usuario debe

- desensamblar,
- limpiar y
- realizar el mantenimiento

del aspirador en la medida de lo posible sin que suponga un peligro para el personal de mantenimiento y otras personas.

### Medidas de seguridad

Las medidas de seguridad adecuadas incluyen

- limpieza previa al desmontaje,
- tomar precauciones para la ventilación forzada y filtrada del entorno en el que se desmonta el aspirador,
- limpieza del área de mantenimiento y
- equipos de protección personal adecuado.

### Medidas de seguridad para los aspiradores de las clases "H" y "M"

Se recomienda limpiar la parte exterior del aspirador mediante un procedimiento de aspiración de polvo o tratarla con material de sellado antes de retirarlo del área peligrosa. Es preciso considerar que todas las piezas del aspirador se encuentran contaminadas al extraerlas del área peligrosa y realizar una manipulación adecuada para evitar que el polvo se difunda.

### Objetos contaminados

Al realizar trabajos de mantenimiento o reparaciones es necesario eliminar todos los objetos contaminados que no sea posible limpiar de forma satisfactoria.

Es necesario eliminar dichos objetos en bolsas herméticas, de acuerdo a las disposiciones aplicables para la eliminación de este tipo de residuos.

### Comprobación técnica

El fabricante o una persona con la formación pertinente deben realizar una comprobación técnica al menos una vez al año consistente, por ejemplo, en la comprobación de daños en los filtros, la hermeticidad del aspirador y el correcto funcionamiento del dispositivo de control.

## Prueba de la eficacia del aspirador

**OBSERVACIÓN:** En los aspiradores de la clase H es preciso comprobar adicionalmente la eficacia del aspirador.

Debe existir en el local un caudal de intercambio de aire L suficiente si la salida de aire del local disminuye. Consulte otras indicaciones en las disposiciones para su país.

Si la potencia de aspiración del aspirador disminuye y la limpieza de los cartuchos de filtro en fuelle no aumenta dicha potencia de aspiración (suponiendo que se ha vaciado el recipiente y se ha cambiado la bolsa de filtro de papel), será necesario cambiar los cartuchos de filtro en fuelle

## **LIMPIEZA**

**NOTA:** Los ácidos, acetona y disolventes pueden corroer las piezas del aspirador.

Limpie el recipiente y los accesorios con agua.

Limpie la parte superior con un paño húmedo.

Permita que se seque el recipiente y los accesorios.

## **REPARACIÓN**

**¡Peligro!** Si las reparaciones se realizan de forma no profesional, los aspiradores pueden suponer un peligro para el usuario.  
Encargue las reparaciones exclusivamente a profesionales, p. ej. SPIT servicio de atención al cliente. Utilice solo piezas de repuesto originales.

## **TRANSPORTE**

Introduzca el tapón de cierre del aspirador en la abertura de aspiración.

El cabezal del motor debe estar sujeto fijamente al recipiente (cierre los cierres). Introduzca los accesorios en bolsas de plástico adecuadas y cierre las bolsas de plástico o introdúzcalas en el soporte para herramientas.

Conecte entre sí los extremos de la manguera de aspiración.

Coloque la manguera de aspiración alrededor del aspirador y engánchela al asa



## AUTOAYUDA EN CASO DE FALLOS

Fallo	Posible causa	Solución
Disminución de la potencia de aspiración	Filtro sucio Filtro de papel lleno Recipiente lleno Tobera, tubos o manguera obstruidos	Limpiar. Cambiar. Vaciar. Limpiar.
El aspirador no comienza a funcionar	¿Ha introducido el conector en la caja de enchufe? ¿Hay tensión de red? ¿Cable de red en correcto estado? ¿Tapa correctamente cerrada? ¿Sensor de agua desconectado? ¿Aspirador en modo preparado para el funcionamiento «AC»?	Sítue el conmutador en la posición «I» o «A» .
El aspirador no comienza a funcionar al conectar la herramienta introducido en la caja de enchufe en el modo >AC<	¿Conector de red de la herramienta introducido en la caja de enchufe para aparatos? ¿Se encuentra sucia la válvula magnética del dispositivo automático de conexión de aire comprimido?	Introduzca el conector de red en la caja de enchufe del aspirador Enjuague el dispositivo automático de conexión de aire comprimido con alcohol
La bolsa de vaciado y eliminación de PE es aspirada en los filtros	La posición de la corredera giratoria es incorrecta	Sítue la corredera giratoria en la posición <b>4</b> ●.
Aspiradores de la clase M o H: cuando se coloca un filtro de papel para polvo en el recipiente	La posición de la corredera giratoria es incorrecta	Sítue la corredera giratoria en la posición <b>4</b> ▲.

No realice ninguna otra intervención, póngase en contacto con el taller central del servicio de atención al cliente.

## ESPECIFICAÇÕES TÉCNICAS

Potência nominal	1400	W
Potência máx.	1600	W
Tensão	110 / 220	V~
Corrente	6,5	A
Frequência	50 / 60	Hz
Corrente de ar no ventilador	64	l / s
Subpressão no ventilador	260	hPa
Massa (L x H x B)	550 x 550 x 400	mm
Cabo	6	m
Cabo de ligação em aspiradores com tomada	H05RR-F 3G1,5	
Pressão sonora	69,0	dB(A)

### Verificações e aprovações

As verificações electrotécnicas devem ser executadas em conformidade com as prescrições do regulamento da prevenção de acidentes (na Alemanha BGV A3) e com a norma DIN VDE 0701 Parte 1 e Parte 3. Estas verificações são necessárias em conformidade com a norma DIN VDE 0702 em intervalos regulares e após a reparação ou alteração.

Uma verificação técnica do pó deve ser realizada, no mínimo, anualmente pelo fabricante ou por uma pessoa formada, por exemplo, em caso de danos no filtro, estanqueidade do aspirador, funcionamento dos dispositivos de controlo.

### CE

Typ Spit AC 1625 e AC 1630P

Declaramos, como única responsável, que este produto está em conformidade com as directivas da CE e as normas pertinentes: directiva “Baixa tensão” 73/23/CEE com as modificações e directiva “Compatibilidade electromagnética” 89/336/CEE com as modificações.

Os aspiradores são testados com bom resultado conforme a IEC/EN 60335-2-69.

Paul van Beek  
O diretor-gerente

Ruben Bernaert  
Gerente de Produto

ITW Heger  
Industriepark  
Cardijnlaan 3  
B-8600 Diksmuide  
Belgien

## ANTES DA UTILIZAÇÃO

Ao desembalar, verifique se não faltam peças e se há danos de transporte.

Antes da utilização, devem ser facultados aos utilizadores informações, instruções e formações sobre a utilização do aspirador e das substâncias, para as quais deve ser utilizado, incluindo o procedimento seguro para a eliminação do material recolhido.

## ELEMENTOS DE INDICAÇÃO E DE COMANDO

Seleccione as seguintes funções e ajustes:



0		aspirador desligado	- Tomada em tensão
I		aspirador em funcionamento	- Tomada em tensão - Função automática do agitador desligada
A		modo operacional	- Tomada em tensão - Função automática do agitador desligada
AC		modo operacional	- Tomada em tensão - Função automática do agitador ligada
		função automática do agitador	- O aspirador é ligado e desligado por uma ferramenta eléctrica/de ar comprimido* ligada na tomada.
		função automática do agitador	- Função automática do agitador ligada; 2min
		Indicador do enchimento * ⑥	- O indicador de enchimento acende-se se o recipiente estiver cheio e/ou existirem entupimentos na mangueira de aspiração. Em aspiradores da classe M e H soa também um sinal acústico.
		Regulação da rotação * ⑦	- Regule continuamente a potência de aspiração com o regulador da rotação.
		Ajuste do diâmetro da mangueira de aspiração * ⑧	- Determina os valores máximos de subpressão para a separação por vibração automática.

\* conforme a variante do equipamento do seu aspirador

## COLOCAÇÃO EM FUNCIONAMENTO

### Ligação e desconexão

**CUIDADO: A ferramenta eléctrica ou a ferramenta de ar comprimido tem de estar desactivada na ligação**

A tomada no aspirador encontra-se sempre sob tensão com a ficha de rede encaixada, independentemente da posição do interruptor.

NOTA: Na posição do interruptor >0< a tomada pode ser utilizada no aspirador como cabo de extensão.

Valor de ligação: aspirador + aparelho ligado máximo 16 A.

Encaixar a ficha na tomada.

<b>0</b>	aspirador desligado
<b>I</b>	aspirador ligado sem função do agitador
<b>A</b>	aspirador em standby Operação de prontidão para ligar/desligar automático. (O aspirador será ligado e desligado a partir da ferramenta eléctrica)..
<b>AC</b>	aspirador em standby Accionamento de prontidão para o funcionamento como „A“ com limpeza automática de filtro. Só com a ligação da ferramenta é que o aspirador se liga automaticamente. Após a desconexão da ferramenta, o aspirador funciona durante aprox. 10 seg, para se evitar que uma quantidade restante permaneça na mangueira.

Colocar o aspirador na posição do interruptor >0<.

Retirar a ficha de rede depois de concluído.

Para guardar o aspirador, encaixá-la no depósito de acessórios previsto no painel traseiro do recipiente.

As extremidades da mangueira podem ser encaixadas, para que não saiam partículas de sujidade.

**CUIDADO: Pré-selector do sinal de corrente volumétrica mínima (buzina e lâmpada) em aspiradores da classe «M» e «H».**

No modo >AC< e >A< é executado o seguinte ajuste em função do diâmetro da mangueira:

Diâmetro interior da mangueira	Posição do interruptor
Ø 35 mm	70 m³/h
Ø 27 mm	40 m³/h
Ø 21 mm	20 m³/h

Não se efectua qualquer regulação da rotação. O aspirador funciona sempre com a rotação máx..

## MODOS OPERACIONAIS

Aquando da utilização do tubo da pega, a potência do ar pode ser adaptada com a correção de ar adicional.

### Aspiração seca

Aspirar apenas com os filtros, aspirador e acessórios secos, para que o pó não adira nem fique incrustado.

Se for aspirado fuligem, cimento, gesso, farinha ou pós semelhantes, recomendamos a aplicação de um saco de papel para filtragem. Utilizar o saco de papel para filtragem sempre em conjunto com cassetes de filtros plissados.

P

### Aspiração húmida

**AVISO: Desligar imediatamente o aspirador se entrar espuma ou líquido. Esvaziar o recipiente e event. a cassete de filtros plissados.**

NOTA: Limpar regularmente os sensores no nível de água e procurar sinais de danos.

Aspirar sem saco de papel para filtragem.

As cassetes de filtros plissados adequam-se à aspiração húmida.

O sensor incorporado desliga o motor quando o recipiente estiver cheio.

O manuseamento do aspirador pode ser prejudicado por um recipiente cheio.

Esvaziar o aspirador

**CUIDADO: Se o aspirador não for desligado, a protecção contra re arranque permanece eficaz.**

**Só após a desconexão e nova ligação é que o aspirador volta a estar operacional.**

Antes do esvaziamento, retirar primeiro a mangueira de aspiração do líquido.

Devido à elevada potência de aspiração e à forma favorável à corrente do recipiente, poderá sair alguma água da mangueira após a desconexão.

Colocar filtros secos depois da aspiração consequente em zonas secas.

NOTA: No caso de trocas frequentes entre aspiração em zonas secas e húmidas, recomendamos a utilização de um segundo conjunto de filtros, preferencialmente cassetes de filtros plissados em poliéster.

## LIMPEZA PERMANENTE DOS FILTROS

O aspirador está equipado com uma limpeza electromagnética dos filtros, com a qual o pó aderente pode ser removido das cassetes de filtros plissados por vibração.

As cassetes dos filtros plissados são limpas consecutivamente à vez, de forma a garantir o trabalho contínuo.

## ESVAZIAR O RECIPIENTE

**NOTA: Apenas autorizado em pós com AGWs > 1 mg/m<sup>3</sup>**

Desligar o aspirador, retirar a ficha de rede.

Abrir os fechos.

Retirar a tampa e a mangueira de aspiração do recipiente.

Esvaziar o recipiente.

### Eliminar o saco de papel para filtragem

Retirar a ficha de rede.

Apertar a protecção do bocal.

Remover a mangueira de aspiração, fechar o bocal de aspiração com tampão.

Abrir os fechos laterais, remover a parte superior.

Remover o flange do bocal de aspiração e fechar o flange.

Eliminar o produto aspirado de acordo com os regulamentos legais.

### Eliminar o saco em PE para esvaziamento e eliminação

Retirar a ficha de rede.

Saco em PE para esvaziamento e eliminação: ligar o aspirador, agitar as cassetes de filtros plissados. Desligar o aspirador.

Apertar a protecção do bocal.

Remover a mangueira de aspiração, fechar o bocal de aspiração com tampão.

Abrir os fechos laterais, remover a parte superior. Ligar a parte superior, antes da desconexão, na posição do interruptor >A<, para que as partículas event. em suspensão no ar sejam aspiradas.

Fechar o saco em PE para esvaziamento e eliminação com a banda de fecho anexada.

Remover o flange do bocal de aspiração e fechá-lo.

Remover com cuidado o saco em PE para esvaziamento e eliminação do recipiente.

Eliminar o produto aspirado de acordo com os regulamentos legais.

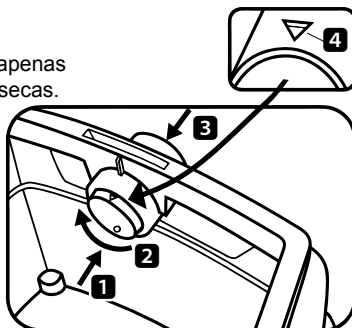
### Colocar o saco de papel para filtragem

NOTA: Utilizar o saco de papel para filtragem apenas quando se tratar de uma aspiração em zonas secas.

Deslocar completamente o flange por cima do orifício de aspiração.

Colocar o interruptor rotativo no orifício de aspiração com a marcação **4** ▲ para cima.

Colocar a parte superior no recipiente e fechar os fechos laterais.

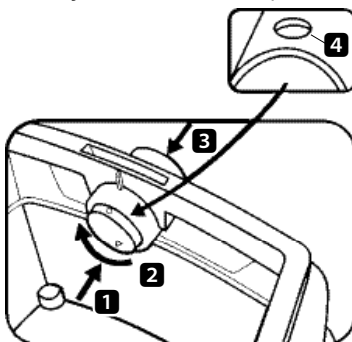


### Colocar o saco em PE para esvaziamento e eliminação

NOTA: Só os aspiradores da classe M e H com recipientes especiais e interruptores rotativos no orifício de aspiração se destinam à utilização de sacos em PE para esvaziamento e eliminação.

Colocar o interruptor rotativo no orifício de aspiração com a marcação **4** ● para cima. Deslocar completamente o flange por cima do bocal de aspiração, colocar o orifício superior do saco por cima do rebordo do recipiente.

Colocar a parte superior no recipiente e fechar os fechos laterais.



### **Operação do interruptor rotativo:**

Premir o interruptor rotativo desde o interior para o exterior **1**, girar em 180° **2** (ver marcação **4**) e premir novamente do exterior para o interior, desde o bocal de aspiração **3**.

## **TROCAR O FILTRO**

### Trocar o filtro plissado

Agitar as cassetes de filtros plissados antes da troca dos filtros.

Com uma moeda ou objecto semelhante, girar o fecho **Z** no trinco 90° no sentido contrário ao dos ponteiros do relógio e premir o trinco para trás.

Abriu a tampa

Fechar as cassetes de filtros plissados **©** removidas no saco de plástico impermeável ao pó e eliminá-las correctamente segundo as normas.

Colocar as novas cassetes de filtros plissados.

Çar o estribo de bloqueio, baixar a tampa e bloquear mediante uma ligeira pressão.

## Trocar o filtro de protecção do motor

NOTA: Se o filtro de protecção do motor estiver sujo, este facto chama a atenção para cassetes de filtros com defeito.

Substituir as cassetes de filtros plissados.

Trocar o filtro de protecção do motor ou lavá-lo sob água corrente, secá-lo e colocá-lo novamente.

## **MANUTENÇÃO**

NOTA: Antes de qualquer manutenção, desligar o aspirador e retirar a ficha de rede.

No caso de a manutenção ser executada pelo utilizador, o aspirador tem de

- ser desmontado,
- limpo e
- ser alvo de manutenção,

até onde isso for possível, sem perigo para o pessoal de manutenção nem para outras pessoas.

### Medidas de segurança

Respeitar as medidas de segurança adequadas

- Limpeza antes da desmontagem,
- Providenciar uma ventilação local com filtragem, na qual o aspirador seja montado,
- Limpeza da zona de manutenção e
- equipamento de protecção pessoal adequado.

### Medidas de segurança em aspiradores das classes H e M

O exterior do aspirador deve ser limpo por procedimentos de aspiração do pó e lavado ou tratado com meios de vedação, antes de ser removido da zona perigosa. Todas as peças do aspirador têm de ser consideradas limpas, quando forem removidas da zona perigosa, e as acções adequadas têm de ser executadas, de forma a evitar a dispersão do pó.

### Objectos não limpos

Durante a execução de trabalhos de manutenção ou de reparação, todos os objectos contaminados, que não possam ser limpos de forma satisfatória, têm de ser eliminados. Esses objectos têm de ser eliminados em sacos impermeáveis em conformidade com os regulamentos válidos relativos à eliminação de tais resíduos.

### Verificação técnica

O fabricante ou uma pessoa formada tem de executar uma verificação técnica anual, no mínimo, que consista, por exemplo, na verificação quanto a danos nos filtros, na estanqueidade do ar do aspirador e no funcionamento correcto do dispositivo de controlo.



## Testar a eficácia do aspirador

NOTA: Além disso, deve ser verificada anualmente, no mínimo, a eficácia dos aspiradores da classe H.

Tem de existir uma taxa de renovação do ar L suficiente no local, quando o ar extraído retornar ao local. Outras indicações podem ser consultadas nos seus regulamentos nacionais.

Se a potência de aspiração do aspirador diminuir e aumentar também a sujidade das cassetes dos filtros plissados e a potência de aspiração deixar de aumentar (supondo que o recipiente está vazio e o saco de papel para filtragem foi trocado), é necessário trocar as cassetes dos filtros plissados

P

## LIMPEZA

NOTA: Ácidos, acetona e solventes podem corroer as peças do aspirador.

Limpar o recipiente e acessórios com água.

Lavar a parte superior com um pano húmido.

Deixar o recipiente e os acessórios secarem.

## REPARAÇÃO

**PERIGO: Aspiradores não reparados correctamente podem colocar o utilizador em perigo.**

**As reparações só devem ser executadas por técnicos, por exemplo, do serviço de apoio ao cliente. Utilizar apenas peças sobressalentes originais.**

## TRANSPORTE

Inserir o bujão de fecho do aspirador no orifício de aspiração.

A cabeça do motor tem de estar bem unida ao recipiente (fechar os fechos).

Inserir os acessórios no saco de plástico adequado e fechá-lo ou colocá-lo no depósito de ferramentas.

Encaixar a extremidade final da mangueira de aspiração na extremidade inicial da mangueira de aspiração.

Colocar a mangueira no aspirador e comprimir a pega

## AJUDA EM CASO DE AVARIA

Avaria	Causa possível	Eliminação
Diminuição da potência de aspiração	Filtro sujo Filtro de papel cheio Recipiente cheio Bocal, tubos e mangueira entupidos	Limpar. Trocar. Esvaziar. Limpar.
O aspirador não funciona	A ficha está inserida na tomada? Rede sem corrente? Cabo de rede em ordem? A tampa está fechada correctamente? O sensor da água está desactivado? O aspirador encontra-se no modo operacional >AC<?	Colocar em >I< ou >A<
O aspirador não funciona ao ser ligada a ferramenta no modo >AC<	A ficha de rede da ferramenta encontrase na tomada do aparelho? A válvula magnética do sistema automático de ligação do ar comprimido está suja?	Encaixar a ficha de rede na tomada do aspirador Lavar o sistema automático de ligação do ar comprimido com álcool
O saco em PE para esvaziamento e eliminação é aspirado no filtro	Posição errada do interruptor rotativo	Colocar o interruptor rotativo na posição <b>4</b> ●
Aspirador da classe M ou H: pó no recipiente com o filtro de papel colocado	Posição errada do interruptor rotativo	Colocar o interruptor rotativo na posição <b>4</b> ▲

Não efectuar mais nenhuma acção. Contactar a oficina central do apoio ao cliente.

## TEKNISKA DATA

Motorstyrka	1400	W
Max. effekt	1600	W
Spänning	110 / 220	V~
Nuvarande	6,5	A
Frekvens	50 / 60	Hz
Luftström vid fläkten	64	l / s
Undertryck vid fläkten	260	hPa
Massa (L x H x B)	550 x 550 x 400	mm
Anslutningskabel	6	m
Anslutningsledning hos dammsugare med stickkontakt	H05RR-F 3G1,5	
Ljudtryck	69,0	dB(A)

S

### Tester och godkännanden

Elektrotekniska tester ska genomföras enligt föreskrifterna i förordningen om förebyggande av olyckor (BGV A3) och enligt DIN VDE 0701 del 1 och del 3. Dessa tester krävs enligt DIN VDE 0702 med regelbundna intervall och efter reparation eller ändring.

Minst en gång per år ska en dammteknisk kontroll genomföras av tillverkaren eller en utbildad person, t. ex. efter skador på filtret, dammsugarens täthet, kontrolldelens funktion.

### CE

Typ Spit AC 1625 och AC 1630P

Vi förklarar som ensamt ansvariga att denna produkt överensstämmer med följande EEG-direktivet och normer: Lågspänningsdirektivet 73/23/EEG med ändringar, EMC-direktivet 89/336/EEG med ändringar.

Dammsugarna är kontrollerade och godkända enligt IEC/EN 60335-2-69.

Paul van Beek  
Verkställande direktör  
Manager

Ruben Bernaert  
Product

ITW Heger  
Industriepark  
Cardijnlaan 3  
B-8600 Diksmuide  
Belgien


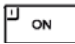
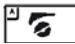

## FÖRE ANVÄNDNINGEN

Kontrollera att dammsugaren är komplett och inte har några transportskador när du packar upp den.

Före användning bör användaren försees med information, anvisningar och utbildning i hur man använder dammsugaren och substanserna för vilken den används, inklusive säkert tillvägagångssätt för bortskaffande av det upptagna materialet.

## VISNINGS- OCH MANÖVERELEMENT

Välj följande funktioner och inställningar:

0		Dammsugaren stängs av	- Uttaget är spänningsförande
I		Dammsugaren slås på	- Uttaget är spänningsförande - Den automatiska vibrationsfunktionen är av
A		Driftsklar	- Uttaget är spänningsförande - Den automatiska vibrationsfunktionen är av
AC		Driftsklar Automatisk vibrationsfunktion	- Uttaget är spänningsförande - Den automatiska vibrationsfunktionen är på - Dammsugaren sätts på/stängs av genom det anslutna el-/tryckluftsverkyget*.
		Automatisk vibrationsfunktion	- Den automatiska vibrationsfunktionen är på; 2min
		Fyllnadsindikering * ⑥	- Vid full behållare och/eller igentäppt sugslangen lyser indikeringen att behållaren är full. Hos dammsugare i klasserna M och H ljuder dessutom en akustisk signal.
		Varvtalsreglering * ⑦	- Reglera sugeffekten steglöst med varvtalsregulatorn.
		Inställning av sugslangens diameter * ⑧	- Bestäm det maximala undertrycksvärdet för den automatiska vibrationen.

(\* eroende på din dammsugares utrustningsvariant)

## IDRIFTTAGNING

### På- och avstängning

**FÖRSIKTIGT: El-verktyg resp. tryckluftsverktyg måste vara avstängda när de ansluts**

Kontakten på dammsugaren står alltid under spänning, oberoende av kopplingsställningen, när nätkontakten är isatt.

ANVISNING: I kopplingsställning >0< kan kontakten på dammsugaren användas som förlängningskabel.

Anslutningsvärde: Dammsugare + ansluten apparat, maximalt 16 A.

Sätt i kontakten i uttaget.

<b>0</b>	Dammsugaren stängs av
<b>I</b>	Dammsugaren sätts igång utan vibrationsfunktion
<b>A</b>	Dammsugare i standby-läge beredskapsdrift för automatisk till/frånkoppling. (Dammsugaren kopplas till och från av elverktyget)
<b>AC</b>	Dammsugare i standby-läge Beredskapsdrift som "A" plus automatisk filterrengöring. Först när verktyget sätts igång startar dammsugaren automatiskt. När verktyget stängs av är dammsugaren på ytterligare ca. 10 sekunder och därigenom förhindras att rester stannar kvar i slangen.

Ställ dammsugaren i kopplingsställning >0<.

Efter avslutning ska nätkontakten dras ut.

För förvaring av sugarröret kan det fixeras på behållarens baksida genom att det sticks in i den avsedda tillbehörförvaringen.

Slangändarna kan sättas samman så att inga smutspartiklar kommer ut.

**FÖRSIKTIGT: Förvalsbrytare för lägstavolymströmsignal (tuta och belysning) hos dammsugare i klasserna "M" och "H"**

I lägena >AC< och >A< görs, beroende på slangens diameter, följande inställningar:

Slangens innerdiameter	Kopplingsställning
Ø 35 mm	70 m <sup>3</sup> /h
Ø 27 mm	40 m <sup>3</sup> /h
Ø 21 mm	20 m <sup>3</sup> /h

Det görs ingen varvtalsreglering. Dammsugaren kör alltid med max. varvtal.

S

## DRIFTSSÄTT

Används ett griprör kan sugeffekten anpassa med bredvidluftssliden.

### Torr sugning

Dammsug endast med torr filter, torr sugare och torra tillbehör, så att dammet inte fastnar och bildar en skorpa.

När sot, cement, gips, mjöl eller liknande ämnen sugas upp rekommenderar vi att en filterpåse av papper sätts i. Sätt alltid i en filterpåse av papper tillsammans med veckfilterkassetten.

### Våtsugnings

**VARNING: Uppstår skum- eller vätskeläckage ska du stänga av dammsugaren direkt.**

**Töm behållare och, om sådan finnes, veckfilterkassetten.**

HÄNVISNING: Vattennivåsensorerna ska rengöras regelbundet och undersökas efter tecken på skador.

Sug utan filterpåse av papper.

Veckfilterkassetterna är avsedda för våtsugning.

Den inbyggda sensorn stänger av motorn när behållaren är full.

Hanteringen av dammsugaren kan påverkas negativt av en fylld behållare.

Töm dammsugaren.

**FÖRSIKTIGT: Stängs dammsugaren inte av fortsätter återpåslagningskyddet att vara verksamt.**

**Först efter avstängningen och en ny påslagning är dammsugaren driftsklar igen.**

Före tömningen ska sugslangen först tas ut ur vätskan.

Genom hög sugeffekt och strömningsbefrämjande behållarform kan lite vatten flöda tillbaka ur slangen efter att apparaten stängts av.

Sätt i torra filter om maskinen uteslutande används för torrdammsugning.

HÄNVISNING: Byter du ofta mellan torr- och våtdammsugning rekommenderar vi att du använder en andra filterinsats, helst en veckfilterkassetten av polyester.

## PERMANENT FILTERRENGÖRING

Dammsugaren är utrustad med en elektromagnetisk filterrengöring med vilken dammet som fastnar i veckkassetten kan vibreras bort. Veckfilterkassetterna rengörs omväxlande efter varandra så att arbetet kan fortsätta kontinuerligt.

## TÖM BEHÅLLAREN

**HÄNVISNING: Endast tillåtet vid damm med AGWs > 1 mg/m<sup>3</sup>**

Stäng av dammsugaren, dra ur nätkontakten.  
Öppna låsen.  
Ta av lock och sugslang från behållaren.  
Vält ur behållaren.

Släng filterpåsen av papper

Dra ur nätkontakten.  
Ta på munskydd.  
Ta bort sugslangen, tillslut uppsugningstapparna med stopp.  
Öppna låsen på sidan, ta ut överdelen.  
Dra försiktigt ut flänsen från uppsugningstappen och lås flänsen.  
Bortskaffa det uppsugna materialet enligt de rättsliga bestämmelserna.

Bortskaffa PE-tömnings- och bortskaffningspåsen

Dra ur nätkontakten.  
PE-tömnings- och bortskaffningspåse: slå på dammsugaren, skaka veckfilterkassetten. Stäng av dammsugaren.  
Ta på munskydd.  
Ta bort sugslangen, tillslut uppsugningstapparna med stopp.  
Öppna låsen på sidan, ta ut överdelen. Slå på överdelen till kopplingsläge >A< före avstängningen så att eventuellt nerfallande damm blir uppsuget.  
Stäng PE-tömnings- och bortskaffningspåsen försiktigt med de medföljande förslutningsbanden.  
Dra försiktigt ut flänsen från uppsugningstappen och lås  
Ta försiktigt upp PE-tömnings- och bortskaffningspåsen ur behållaren  
Bortskaffa det uppsugna materialet enligt de rättsliga bestämmelserna.

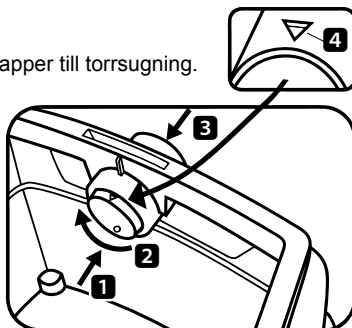
S

### Sätt i en filterpåse av papper

HÄNVISNING: Använd endast filterpåsen av papper till torrsugning.

Skjut flänsen helt över uppsugningsöppningen. Ställ vridsliden i uppsugningsöppningen med markeringen **4** ▲ uppåt.

Sätt överdelen på behållaren och stäng låsen på sidan.



### Sätt i en PE-tömnings- och bortskaffningspåse

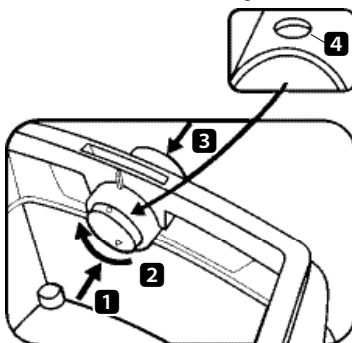
Hänvisning: Endast dammsugare i klasserna M och H med specialbehållare och vridslid i uppsugningsöppningen är lämpade att använda PE-tömnings- och bortskaffningspåsar.

Ställ vridsliden i uppsugningsöppningen med markeringen **4** ● uppåt.

Skjut flänsen helt över uppsugningstapparna, lägg den övre påsöppningen över behållarranden.

#### **Användning av vridsliden:**

Tryck vridsliden inifrån och utåt **1**, vrid 180° **2** (se markering **4**) och tryck in igen utifrån genom uppsugningstapparna **3**.



## **BYTA FILTER**

### Byta veckfilter

Skaka ner veckfilterkassetten före filterbytet.

Vrid låset på regeln **Z** 90° moturs med ett mynt eller liknande föremål och tryck regeln bakåt.

Fäll upp huven

Förslut de uttagna veckfilterkassetterna **C** direkt i en dammtät plastpåse och bortskaffa korrekt.

Sätt i nya veckfilterkassetter.

Lyft upp låsbygeln, fäll ner huven och läs genom att trycka lätt på den.



## Byta motorskyddsfilter

HÄNVISNING: Skulle motorskyddsfiltret vara smutsigt betyder det att filterkassetterna är defekta.

Byt ut veckfilterkassetterna.

Byt ut motorskyddsfiltret resp. skölj motorskyddsfiltret under rinnande vatten, torka det och sätt in det igen.

## **UNDERHÅLL**

HÄNVISNING: Före underhåll ska dammsugaren stängas av och nätkontakten dras ut.

Vid underhåll av användaren måste dammsugaren

- tas isär,
- rengöras och
- underhållas

så långt det är genomförbart, utan att det därigenom uppstår risker för underhållspersonalen och andra personer.

### Försiktighetsåtgärder

Följ de avsedda försiktighetsåtgärderna

- Rengöring före demonteringen,
- Se till att det finns filtrad tvångsventilering på den platsen där dammsugaren demonteras,
- Rengöring av skötseområdet och
- Lämplig personlig skyddsutrustning.

### Försiktighetsåtgärder hos dammsugare i klasserna H och M

Dammsugarens yttre bör rengöras genom dammuppsugning och torkas rent eller behandlas med tätningemedel före de tas ut ur de farliga områdena. Alla dammsugardelar måste ses som smutsiga när de tas ut ur det farliga området och lämpliga åtgärder måste vidtas för att undvika att dammet sprids.

### Smutsiga föremål

När underhålls- och reparationsarbeten genomförs måste alla smutsiga föremål som inte har blivit tillräckligt rena tas bort. Sådana föremål måste bortskaffas i ogenomsläppliga förpackningar som stämmer överens med de gällande bestämmelserna för bortskaffandet av sådant avfall.

### Teknisk kontroll

Tillverkaren eller en utbildad person måste minst en gång om året utföra en teknisk kontroll, vilken t.ex. består av att kontrollera om filtret är skadat, dammsugarens lufttätethet och att kontrolldelen fungerar korrekt.

## Testa dammsugarens effektivitet

ANMÄRKNING: Dessutom bör dammsugare i klass H kontrolleras utifrån sin sugeffekt minst en gång per år.

Det måste finnas tillräcklig luftventilation L i rummet om utluften går tillbaka in i rummet. Du får ytterligare anvisningar från de gällande nationella bestämmelserna. Minskar dammsugarens sugeffekt och höjs inte sugeffekten även efter rengöring av veckfilterkassetten (förutsatt att behållaren är tömd och filterpåsen av papper är utbytt) är det nödvändigt att byta veckfilterkassetten.

## RENGÖRING

HÄNVISNING: Syra, aceton och lösningsmedel kan etsa sugardelarna.

Rengör behållare och tillbehör med vatten.

Torka av överdelen med en fuktig trasa.

Låt behållare och tillbehör torka.

## REPARATION

**FARA: Icke korrekt reparerade dammsugare innebär en risk för användaren. Reparationer får endast utföras av fackkunniga, t. ex. kundtjänst. Använd endast original-reservdelar.**

## TRANSPORT

Sätt in dammsugarens förslutningstappar i sugöppningen.

Motorhuvudet måste vara ordentligt förbundet med behållaren (stäng lås).

Lägg tillbehören i lämpliga plastbehållare och stäng plastbehållaren resp. stoppa in i verktygsförvaringen.

Sätt samman sugslangsändarna.

Lägg slangen på dammsugaren och kläm in vid handtaget

## SJÄLVHJÄLP VID STÖRNINGAR

Störning	Möjliga orsaker	Åtgärd
Försämring av sugeffekten	Filtret är smutsigt Pappersfiltret är fullt Behållaren är full Munstycke, rör eller slang är tilltäppt	Rengör. Byt. Töm. Rengör.
Dammsugaren slås inte på	Är kontakten i uttaget? Är det strömavbrott? Fungerar nätkabeln? Är locket stängt ordentligt? Är vattensensorn avstängd? Dammsugaren är i driftsläge >AC<?	Ställ på > < eller >A<
Dammsugaren går inte igång när verktyget sätts på i >AC<-läge	Är verktygets nätkontakt i apparatuttaget? Är magnetventilen till tryckluftspåslagningsautomatiken* smutsigt?	Sätt nätkontakten i dammsugarens uttag Spola tryckluftspåslagningsautomatiken med alkohol
PE-tömnings- och bortskaffningsbehållaren sugts upp mot filtret	Vridslidens position är fel	Sätt vridsliden i läge 4 ●
Dammsugare i klassen M eller H: vid använt pappersfilter, damm i behållaren	Vridslidens position är fel	Sätt vridsliden i läge 4 ▲

Utför inga andra åtgärder utan kontakt den centrala kundtjänstverkstaden.



## TEKNISKE DATA

Nominel ydelse	1400	W
Maks. ydelse	1600	W
Spænding	110 / 220	V~
Nuværende	6,5	A
Frekvens	50 / 60	Hz
Luftstrøm ved blæser	64	l / s
Undertryk ved blæser	260	hPa
Masse (L x H x B)	550 x 550 x 400	mm
Tilslutningskabel	6	m
Tilslutning ved støvsugere med stikdåse	H05RR-F 3G1,5	
Lydtryk	69,0	dB(A)

### Tests og godkendelser

Der skal foretages elektroteknisk kontrol iht. forskrifterne til arbejdsmiljøbeskyttelse (BGV A3 (Tyskland)) og DIN VDE 0701, del 1 og del 3. Disse kontroller skal iht. DIN VDE 0702 udføres med jævne mellemrum og efter reparation eller ændringer. Der skal mindst én gang årligt foretages støvteknisk kontrol af producenten eller en instrueret person, f. eks. med henblik på skader på filter, støvsugerens tæthed samt kontrolanordningernes funktion.

### CE

Som eneansvarlige erklærer vi hermed, at produktet svarer til EØF-directiverne og tilsvarende normer: Lavspændingsdirektiv 73/23/EØF inkl. modifikationer, EMV-direktiv 89/336/EØF inkl. modifikationer.

Sugeren er velafprøvet iht IEC/EN 60335-2-69.

Paul van Beek  
Administrerende direktør

Ruben Bernaert  
Product Manager

ITW Heger  
Industriepark  
Cardijnlaan 3  
B-8600 Diksmuide  
Belgien





## INDEN BRUG

Vær ved udpakning opmærksom på om udstyret er komplet og er fri for transportskader.

Inden anvendelse skal brugere gives information, vejledning og instruktion i brug af støvsugeren samt de substanser, den skal bruges til, inkl. sikker bortskaffelse af det opsamlede materiale.

## INDIKATOR- OG BETJENINGSELEMENTER

Vælg følgende funktioner og indstillinger:

0		Støvsuger slået fra	- Stikdåse spændingsførende
I		Støvsuger kører	- Stikdåse spændingsførende - Automatisk rystefunktion slået fra
A		Standbyfunktion	- Stikdåse spændingsførende - Automatisk rystefunktion slået fra
AC		Standbyfunktion Automatisk rystefunktion	- Stikdåse spændingsførende - Automatisk rystefunktion slået til - Støvsuger slås til og fra af tilsluttet el-/trykluftværktøj i stikdåsen.
		Automatisk rystefunktion	- Automatisk rystefunktion slået til; 2min
		Fyldningsindikator * ⑥	- Ved fuld beholder og/eller tilstopning ved sugeslangen lyser fyldningsindikatoren. Ved støvsugere i klasse M og H lyder der desuden et akustisk signal.
		Regulering af omdrejningsstal * ⑦	- Regulere sugeevnen trinløst med omdrejningsregulatoren.
		Indstilling af sugeslangediameter * ⑧	- Bestem den maksimale undertryksværdi for den automatiske rystefunktion.

(\* afhængigt af sugeapparatets udstyrsvariant)



## IBRUGTAGNING

### Til- og frakobling

**FORSIGTIG: Elværktøj/trykluftværktøj skal ved tilslutning være slået fra.**

Støvsugerens stikdåse står altid under spænding, når støvsugerens er sat i stikket til strømnettet, uanset afbryderens position.

BEMÆRK: I afbryderposition >0< kan støvsugerens stikdåse anvendes som forlængerkabel.

Tilslutningsværdi: Støvsuger + tilsluttet udstyr maksimalt 16 A.

Isætning af stik i stikdåse.

<b>0</b>	Støvsuger slået fra
<b>I</b>	Støvsuger slået til uden rystefunktion
<b>A</b>	Støvsuger på standby beredskabsdrift for tænd-/slukautomatik. (Suger tændes og slukkes af elektroværktøjet)
<b>AC</b>	Støvsuger på standby beredskabsdrift som „A“ plus automatisk filterrensning. Først ved start af værktøjet slår støvsugeren automatisk til. Efter slukning af værktøjet fortsætter støvsugeren i ca. 10 sek., hvilket forhindrer, at restmængder bliver siddende i slangen.

Stil støvsugeren på afbryderposition >0<.

Træk strømstikket ud efter afslutning.

Ved opbevaring af sugerøret ved indstikning i det dertil beregnede tilbehørsdepot skal sugerøret fikseres på bagsiden af beholderen.

Slangens ender kan stikkes sammen, så der ikke slipper snavspartikler ud.

**FORSIGTIG: Indstillingskontakt til min.-volumenstrømsignal (horn og lampe) ved sugning i klasse »M« og »H«**

I funktion >AC< og >A< foretages der følgende indstilling afhængigt af slangediameter:

Indvendig slangediameter	Afbryderposition
Ø 35 mm	70 m <sup>3</sup> /h
Ø 27 mm	40 m <sup>3</sup> /h
Ø 21 mm	20 m <sup>3</sup> /h

Der sker ingen regulering af omdrejningstal. Støvsugeren kører altid med maks. omdrejningstal.

## DRIFTSTYPER

Ved anvendelse af griberøret kan sugeevnen tilpasses ved hjælp af sideluftventilen.

### Tørsugning

Sug kun med tørt filter, støvsuger og tilbehør, så støvet ikke sætter sig og danner skorper.

Når der suges sod, cement, gips, mel eller lignende støv, anbefales det, at der monteres en papirfilterpose. Monter altid papirfilterpose i forbindelse med foldefilterkassetter.

### Vådsugning

**ADVARSEL: Ved udslip af skum eller væske skal støvsugeren straks slukkes. Tøm beholder og evt. filterkassette.**

BEMÆRK: Rengør vandstandssensoren regelmæssigt, og undersøg den for tegn på skader.

Foretag sugning uden papirfilterpose.

Filterkassetterne er egnede til vådsugning.

Den indbyggede sensor slår motoren fra ved fuld beholder.

Håndteringen af støvsugeren kan påvirkes af en fyldt beholder.

Tøm støvsugeren.

**FORSIGTIG: Hvis støvsugeren ikke slås fra, er genstartsspærren fortsat aktiv. Først efter frakobling og fornyet start er støvsugeren atter klar til drift.**

Inden tømning skal sugeslangen først tages ud af væsken.

På grund af høj sugeevne og strømningsgunstig beholderfacon kan der efter frakobling løbe lidt vand ud af slangen igen.

Sæt tørt filter i ved efterfølgende tørsugning.

BEMÆRK: Ved hyppigt skift mellem tør- og vådsugning anbefales det, at der anvendes et ekstra filtersæt, fortrinsvis filterkassetter af polyester til foldefilter.

DK

## PERMANENT FILTERRENSNING

Støvsugereren er forsynet med en elektromagnetisk filterrensning, hvormed hæftende støv kan rystes af filterkassetterne.  
Filterkassetterne rengøres på skift, således at kontinuerligt arbejde er sikret.

## TØMNING AF BEHOLDER

**BEMÆRK: Kun tilladt ved støv med AGW > 1 mg/m<sup>3</sup> (Tyskland).**

Sluk støvsugereren, træk strømstikket ud.  
Åbn lukkemekanismerne.  
Tag dæksel og sugeslange af beholderen.  
Vip beholderen ud.

### Bortskaffelse af papirfilterpose

Træk strømstikket ud.  
Bær mundværn.  
Fjern sugeslangen, luk indsugningsstudsens propper.  
Åbn lukkemekanismerne i siden, tag overdelen af.  
Træk forsigtigt flangen af indsugningsstudsens, og luk flangen.  
Bortskaf det opsugede materiale iht. lovmæssige bestemmelser.

### Bortskaffelse af PE-tømnings- og bortskaffelsespose

PE-tømnings- og bortskaffelsespose: Slå støvsugereren til, ryst filterkassetterne. Slå støvsugereren fra.  
Bær mundværn.  
Fjern sugeslangen, luk indsugningsstudsens propper.  
Åbn lukkemekanismerne i siden, tag overdelen af.  
Stil kontakten på overdelen på >A<, inden overdelen sættes til side, så evt. nedfald af støv opsuges.  
Luk PE-tømnings- og bortskaffelsesposen forsigtigt med det medfølgende lukkebånd.  
Træk forsigtigt flangen af indsugningsstudsens og luk den.  
Tag forsigtigt PE-tømnings- og bortskaffelsesposen ud af beholderen.  
Bortskaf det opsugede materiale iht. lovmæssige bestemmelser.

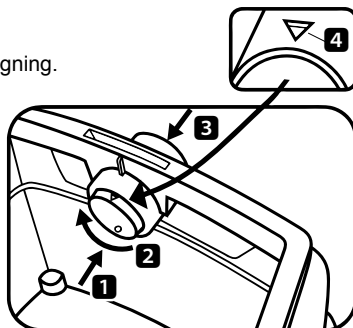


### Isætning af papirfilterpose

BEMÆRK: Anvend kun papirfilterpose til tørsugning.

Skub flangen fuldstændigt over indsuigningsåbningen  
Stil drejeventilen i indsuigningsåbningen med markeringen **4** ▲ opad.

Sæt overdelen på beholderen og luk lukkemekanismerne i siden.



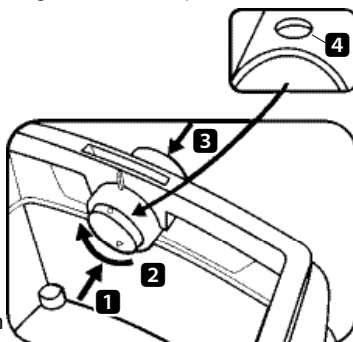
### Isætning af PE-tømnings- og bortskaffelsespose

BEMÆRK: Kun støvsugere i klasse **M** og **H** med specialbeholder og drejeventil i indsuigningsåbningen er egnet til PE-tømnings- og bortskaffelsesposer.

Stil drejeventilen i indsuigningsåbningen med markeringen **4** ● opad.

Skub flangen fuldstændigt over indsuigningsstudsens, læg øverste poseåbning over kant på beholder.

Sæt overdelen på beholderen og luk lukkemekanismerne i siden.



### **Betjening af drejeventilen\***

Tryk drejeventilen indefra og ud **1**, drej den 180° **2** (se markering **4**), og tryk den ind igen udefra igennem indsuigningsstudsens **3**.

DK

## UDSKIFTNING AF FILTER

### Udskiftning af foldefilter

Ryst filterkassetterne inden udskiftning af filter.

Drej lukningen på spærren **Z** ca. 90° mod uret med en mønt eller lignende, og tryk spærren bagud.

Klap dækslet op.

Put straks den fjernede filterkassette **C** i en støvtæt plastpose, luk den og bortskaf den på korrekt vis.

Sæt ny filterkassette i.

Løft spærrebøjlen opad, klap dækslet ned og lås det fast ved at trykke let.

### Udskiftning af motorfilter

BEMÆRK: Hvis motorfiltret er snavset, tyder dette på defekte filterkassetter.

Udskift filterkassetter.

Udskift motorfilter/vask motorfilter under rindende vand, tør det og sæt det i igen.

## SERVICE

BEMÆRK: Inden enhver form for service skal støvsugeren slukkes og strømkablet trækkes ud.

Ved service foretaget af bruger skal støvsugeren

- skilles ad
- rengøres og
- efterses

så vidt det er muligt, uden at dette fremkalder fare for servicepersonalet eller andre personer.

### Forsigtighedsforanstaltninger

Egnede forsigtighedsforanstaltninger omfatter:

- Rengøring inden demontering
- Sikring af lokalt filtreret, tvungen udluftning, hvor støvsugeren demonteres
- Rengøring af serviceområde
- Egnede personlige værnemidler

### Forsigtighedsforanstaltninger ved støvsugere i klasse H og M

Støvsugerens ydre skal rengøres ved udvendig støvsugning og tørres rent eller behandles med aftætningsmiddel, inden den fjernes fra det farlige område. Alle støvsugerens dele skal betragtes som værende forurenede, når de fjernes fra det farlige område, og der skal træffes egnede foranstaltninger, så fordeling af støvet undgås.

### Forurenede genstande

Ved udførelse af service- og reparationsarbejde skal alle forurenede genstande, som ikke kan rengøres på tilfredsstillende vis, bortskaffes. Sådanne genstande skal bortskaffes i uigennemtrængelige poser efter de gældende regler om bortskaffelse af sådant affald.

### Teknisk kontrol

Producenten eller en uddannet person skal mindst én gang om året udføre teknisk kontrol, som f.eks. består af kontrol af filtret for skader, støvsugerens lufttæthed og korrekt funktion på kontrolanordningen.

## Kontrol af støvsugerens funktionsevne

BEMÆRKNING: Desuden skal funktionsevnen på støvsugere i klasse H kontrolleres mindst én gang årligt.

Der skal være en tilstrækkelig luftudskiftningsrate L i lokalet, hvis udblæsningsluften vender tilbage til lokalet. Ydeligere anvisninger findes i bestemmelserne for det pågældende land.

Hvis støvsugerens sugeevne falder og sugeevnens afrensning af filterkassetterne ikke længere øges (forudsat beholderen er tømt og papirfilterposen er udskiftet), er det nødvendigt at udskifte filterkassetterne.

## RENGØRING

BEMÆRK: Syre, acetone og opløsningsmidler kan ætse støvsugerens komponenter.

Rengør beholder og tilbehør med vand.  
Tør overdel af med en fugtig klud.  
Lad beholder og tilbehør tørre.

DK

## REPARATION

**FARE!: Ikke korrekt reparerede støvsugere udgør en risiko for brugeren. Lad kun fagligt uddannet personale, f. eks. SPIT kundeservice, udføre reparation. Anvend kun originale reservedele.**

## SELVHJÆLP VED FEJL

Fejl	Mulig årsag	Afhjælpning
Svigt i sugeevnen	Filter snavset Papirfilter fuldt Beholder fuld Dyse, rør eller slange tilstoppet	Rengøring Udskiftning Tømning Rengøring
Støvsuger starter ikke	Strømsstik i stikdåse? Strømnet uden spænding? Strømkabel i orden? Dæksel lukket rigtigt? Vandsensor afbrudt? Støvsuger i standbyfunktion »AC«?	Indstil til »I« eller »A« .
Støvsuger starter ikke, når værktøj tændes i »AC«-funktion	Værktøjets strømstik i støvsugerens stikdåse? Magnetventil til trykluft-tilkoblingsautomatik snavset?	Sæt strømstikket i støvsugerens stikdåse Skyl trykluft-tilkoblingsautomatikken igennem med alkohol
PE-tømnings- og bortskaffelsespose suges ind til filtrene	Drejeventils position forkert	Stil drejeventilen på position <b>4</b> ● .
Støvsuger i klasse <b>M</b> eller <b>H</b> : Ved monteret papirfilter støv i beholder	Drejeventils position forkert	Stil drejeventilen på position <b>4</b> ▲ .

Undlad at foretage yderligere, men kontakt i stedet centralt kundeserviceværksted.

## TEKNISKE DATA

Nominell effekt	1400	W
Maks. effekt	1600	W
Spenning	110 / 220	V~
Gjeldende	6,5	A
Frekvens	50 / 60	Hz
Luftstrøm ved viften	64	l / s
Vakuüm ved viften	260	hPa
Masse (L x H x B)	550 x 550 x 400	mm
Stikkledning	6	m
Tilkoblingsledning på sugere med stikkontakt	H05RR-F 3G1,5	
Lydtrykk	69,0	dB(A)

N

### Tester og godkjenninger

Elektrotekniske kontroller skal foretas i henhold til forskriftene i den ulykkesforebyggende forskriften (BGV A3) og iht. DIN VDE 0701 del 1 og del 3. Disse kontrollene skal iht. DIN VDE 0702 foretas med regelmessig avstand og etter reparasjoner og endringer.

Minst en gang i året skal produsenten eller en kvalifisert person foreta en støvteknisk kontroll, og kontrollere f. eks. om filterne er skadet, sugerens tetthet, at kontrollinnretningene fungerer.

### CE

Vi erklærer at dette produktet er produsert i samsvar med følgende EØS-direktiver og retningsgivende normer: lavspenningsdirektiv 73/23/EØS med endringer, EMC-direktiv 89/336/EØS med endringer.

Sugere er velykket kontrollert IEC/EN 60335-2-69.

Paul van Beek  
Administrerende direktør

Ruben Bernaert  
Product Manager


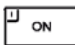

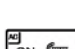
ITW Heger  
Industriepark  
Cardijnlaan 3  
B-8600 Diksmuide  
Belgien

## FØR BRUK

Påse ved utpakkingen at apparatet er fullstendig og ikke har transportskader. Før bruk skal brukeren forsynes med informasjon, anvisninger og opplæring for bruk av sugeren og om de substansene den skal brukes til, inkludert informasjon om sikker håndtering av det oppsugde materialet.

## DISPLAY- OG BETJENINGSELEMENTER

Velg følgende funksjoner og innstillinger:

0		Sugeren slått av	- Stikkontakten spenningsførende
I		Sugeren går	- Stikkontakten spenningsførende - Automatisk vibratorfunksjon av
A		Beredskapsdrift	- Stikkontakten spenningsførende - Automatisk vibratorfunksjon av
AC		Beredskapsdrift Automatisk vibratorfunksjon	- Stikkontakten spenningsførende - Automatisk vibratorfunksjon på - Sugeren slås på og av via et elektro-/trykkluft-verktøy* som er koblet til stikkontakten.
		Automatisk vibratorfunksjon	- Automatisk vibratorfunksjon på; 2min
		Fyllingsindikator * ⑥	- Fyllingsindikatoren lyser når beholderen er full og/eller sugeslangen er tilstoppet. På sugere i klasse <b>M</b> og <b>H</b> utløses dessuten et lydsignal.
		Turtallsregulator * ⑦	- Sugeeffekten reguleres trinnløst med turtallsregulatoren.
		Innstilling av sugeslange-diameter * ⑧	- Bestem maksimal vakuumverdi for den automa-tiske vibrasjonen.

(\* avhengig av utstyrsvariant for sugeren)

## IGANGSETTING

Slå på og av

**FORSIKTIG!:** Elektroverktøy eller trykkluftverktøy må alltid være avslått når de kobles til

Når strømledningen er tilkoblet står stikkkontakten på sugerens alltid under spenning, uavhengig av bryterens innstilling.

ANVISNING: I bryterstillingen >0< kan stikkkontakten på sugerens brukes som skjøteledning.

Tilkoblingsverdi: Suger + tilkoblet apparat maksimalt 16 A.

Sett støpselet inn i stikkkontakten.

<b>0</b>	Sugeren slått av
<b>I</b>	Sugeren slått på uten vibratorfunksjon
<b>A</b>	Sugeren i standby beredskapsdrift for inn-/utkopplingsautomatikk. (Sugeren slås på og av gjennom elektroverktøy)
<b>AC</b>	Sugeren i standby Beredskapsdrift som „A“ pluss automatisk filterrengjøring. Først når verktøyet slås på, slås sugerens automatisk på. Når verktøyet slås av, går sugerens i ytterligere ca. 10 sekunder for å forhindre at en restmengde blir etterlatt i slangen.

Sett sugerens på bryterstilling >0<.

Trekk ut stikkkontakten etter avslutning.

Sugerøret kan oppbevares ved å stikke det inn i tilbehørsdepotet\* på bakveggen av beholderens og feste det.

Slangeendene kan stikkes i hverandre slik at ingen smusspartikler slipper ut.

**FORSIKTIG!:** Valgbryter for minimumsvolumstrømsignal (horn og lys) på sugere i klasse «M» og «H»

I modiene >AC< og >A< foretas følgende innstilling, avhengig av slangediameterens:

Innvendig slangediameter	Bryterstilling
Ø 35 mm	70 m³/h
Ø 27 mm	40 m³/h
Ø 21 mm	20 m³/h

Det foretas ingen turtallsregulering. Sugeren går alltid på maks. turtall.

## DRIFTSTYPER

Ved bruk av håndtaksrøret kan sugeeffekten tilpasses ved hjelp av inntaksluftskyveren.

### Tørrsuging

Sug bare med tørt filter, suger og tilbehør for at støvet ikke skal bli klebrig og danne avleiringer.

Ved suging av rust, sement, gips, mel eller lignende støv anbefaler vi å sette inn en filterpose av papir. Filterposer av papir skal alltid brukes sammen med foldefilterkassetter.

### Våtsuging

**ADVARSEL!: Dersom det lekker ut skum eller væske, må sugeren slås av umiddelbart. Tøm beholderen og eventuelt filterkassetten.**

ANVISNING: Rengjør vannstandssensorene regelmessig, og undersøk dem ved tegn på skade.

Sug uten papir-filterpose.

Foldefilterkassetten er egnet for våtsuging.

Den innebygde sensoren slår av motoren når beholderen er full. En full beholder kan påvirke håndteringen av sugeren.

Tøm sugeren.

**FORSIKTIG!: Dersom sugeren ikke slås av, forblir gjenstartssikringen aktiv. Sugeren er først driftsklar igjen når den er slått av og deretter på igjen.**

Før tømning skal først sugeslangen tas ut av væsken.

På grunn av høy sugeeffekt og strømningsgunstig beholderform kan litt vann renne tilbake ut av slangen etter at apparatet er slått av.

Ved etterfølgende tørrsuging må tørt filter settes inn.

ANVISNING: Ved hyppig veksling mellom tørr- og våtsuging anbefaler vi bruk av et ytterligere filtersett, fortrinnsvis polyester-foldefilterkassetter.



## PERMANENT FILTERRENGJØRING

Sugeren er utstyrt med en elektromagnetisk filterrengjøring, slik at klebrig støv kan ristes av fra foldefilterkassettene.  
Foldefilterkassettene blir rengjort vekselvis etter hverandre, slik at det kan arbeides kontinuerlig.

## TØMME BEHOLDEREN

### **ANVISNING: Bare tillatt ved støv med MBC > 1 mg/m<sup>3</sup>**

Slå av sugeren, trekk ut strømstøpselet.  
Åpne dekslene.  
Ta deksel og sugeslange av fra beholderen.  
Vipp ut beholderen.

#### Ta ut papirfilterposen

Trekk ut strømstøpselet.  
Trekk ut munningsbeskyttelsen.  
Ta av sugeslangen, lukk sugestussen med en propp.  
Åpne sidedekslene, ta av overdelen.  
Trekk flensen forsiktig av fra sugestussen og lukk flensen.  
Avfallshåndter det sugde materialet i henhold til de forskriftsmessige bestemmelsene.

#### Avfallshåndter PE-tømme- og avfallsposen

PE-tømme- og avfallspose: Slå på sugeren, vibrer foldefilterkassettene. Slå av sugeren.  
Trekk ut munningsbeskyttelsen.  
Ta av sugeslangen, lukk sugestussen med en propp.  
Åpne sidedekslene, ta av overdelen.  
Sett overdelen på bryterstilling >A< før den settes ned, slik at eventuell svevestøv blir sugd opp.  
Lukk PE-tømme- og avfallsposen forsiktig med det vedlagte lukkebåndet.  
Trekk flensen forsiktig av fra sugestussen og lukk den  
Ta PE-tømme- og avfallsposen forsiktig ut av beholderen  
Avfallshåndter det sugde materialet i henhold til de forskriftsmessige bestemmelsene.

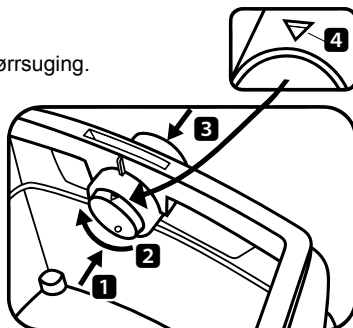
N

### Sett inn papirfilterpose

Anvisning Papirfilterpose skal bare brukes til tørrsuging.

Skyv flensen fullstendig over sugeåpningen.  
Still dreieskyveren i sugeåpningen med markeringen **4** ▲ oppover.

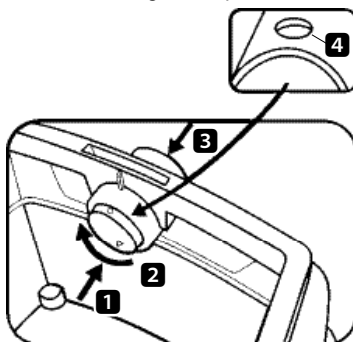
Sett overdelen på beholderen og lukk sidelåsene.



### Sett inn PE-tømme- og avfallspose\*

ANVISNING: Bare sugere i klasse **M** og **H** med spesialbeholder og dreieskyver i sugeåpningen er egnet for bruk av PE-tømme- og avfallsposer.

Still dreieskyveren i sugeåpningen med markeringen **4** ● oppover.  
Skyv flensen fullstendig over innsugingsstussen, legg den øvre poseåpningen over beholderkanten.  
Sett overdelen på beholderen og lukk sidelåsene.




### Betjening av dreieskyveren\*

Trykk dreieskyveren innenfra og ut **1**,  
drei 180° **2** (se markering **4**) og trykk den  
utenfra og inn igjen gjennom sugestussen **3**.

## BYTTE FILTER

### Bytte foldefilter

Rist av foldefilterkassetten før bytte av filter.

Drei låsen på sperren  90° mot klokken med en mynt eller lignende, og trykk sperren bakover.

Klapp opp panseret

Ta ut foldefilterkassetten © og legg den umiddelbart i en støvtett kunststoffpose, lukk den og avfallshåndter den på forskriftsmessig måte.

Sett inn nye foldefilterkassetter.

Løft opp låsebøylen, klapp ned panseret og lås det med et lett trykk.

## Bytte motorbeskyttelsesfilter

ANVISNING: Dersom motorbeskyttelsesfilteret er tilsmusset, tyder det på defekte filterkassetter.

Bytt foldefilterkassetten.

Bytt motorbeskyttelsesfilteret eller vask det under rennende vann, tørk det og sett det inn igjen.

## VEDLIKEHOLD

ANVISNING: Slå av sugeren og trekk ut strømstøpselet hver gang sugeren skal vedlikeholdes.

Ved vedlikehold foretatt av brukeren må sugeren

- tas fra hverandre,
- rengjøres og
- vedlikeholdes

i den grad det kan utføres uten at det utgjør en fare for vedlikeholdspersonalet og andre personer.

### Forsiktighetsforanstaltninger

Egnede forsiktighetsforanstaltninger omfatter

- Rengjøring før demontering,
- Sørg for filtrert tvangsventilasjon på stedet der sugeren skal demonteres,
- rengjøring av vedlikeholdsområdet og
- egnet personlig verneutstyr.

### Forsiktighetsforanstaltninger for sugere i klasse "H" og "M"

Sugeren skal støvsuges utvendig og tørkes ren eller behandles med tetningsmiddel før den tas ut av det farlige området. Alle sugerdeler må anses som forurenset når de tas ut av det farlige området, og man må treffe egnede tiltak for å unngå støvspredning.

### Forurensete gjenstander

Når vedlikeholds- og reparasjonsarbeider utføres må alle forurensete gjenstander som ikke kunne rengjøres tilfredsstillende skrotes (avfals håndteres). Slike gjenstander må legges i tette poser i overensstemmelse med gjeldende bestemmelser for håndtering av slikt avfall.

### Teknisk kontroll

Produsenten eller en kvalifisert person må foreta en teknisk kontroll minst en gang i året, som eksempelvis må innebære kontroll av filteret for skade, sugerens lufttetthet og at kontrollinnretningene fungerer korrekt.

N

## Teste sugerens effektivitet

MERKNAD: I tillegg bør sugere i klasse H effektkontrolleres minst en gang i året. Det må være en tilstrekkelig Luftutvekslingsrate L i rommet når ventilasjonsluften går tilbake. For øvrige anvisninger henvises til de nasjonale bestemmelsene. Dersom sugerens sugeeffekt avtar og rengjøringen av foldefilterkassettene blir hyppigere, eller sugeeffekten forsvinner (forutsatt at beholderen er tømt og papirfilterposene er byttet), er det nødvendig å bytte foldefilterkassettene.

## RENGJØRING

ANVISNING: Syre, aceton og løsemidler kan skade sugerdelene.

Rengjør beholderen og tilbehøret med vann.

Tørk av overdelen med en fuktig klut.

La beholderen og tilbehøret tørke.

## REPARASJON

**FARE! Sugere som er ufagmessig reparert utgjør en fare for brukeren. Reparasjoner skal bare utføres av fagfolk, f. eks. SPIT kundetjenesten. Bruk bare originale reservedeler.**

## TRANSPORT

Sett stengeproppen på sugeren inn i sugeåpningen.



Motorhodet må være sikkert forbundet med beholderen (lukk låsene).

Legg tilbehøret i egnede plastposer og lukk posene, eller stikk tilbehøret i verktøydepotet.

Sett enden på sugeslangen inn i begynnelsen på sugeslangen.

Legg slangen rundt sugeren og klem den inn ved håndtaket

## SELVHJELP VED FEIL

Feil	Mulig årsak	Tiltak
Avtakende sugeseffekt	Skittent filter Papirfilteret fullt Beholder full Dyse, rør eller slange tilstoppet	Rengjør. Bytt. Tøm. Rengjør.
Sugeren starter ikke	Står strømsløst i stikkontakten? Er nettet strømløst? Er strømledningen i orden? Er dekselet riktig lukket? Er vannsensoren koblet ut? Står sugeren i beredskapsdrift «AC»?	Still på «I» eller «A».
Sugeren går ikke når verktøyet slås på i >AC<-modus	Står strømsløst på verktøyet i stikkontakten? Er magnetventilen for trykkluft-innkoblingsautomatikken skitten?	Sett strømsløst i støvsugers stikkontakt Skull trykkluft-innkoblingsautomatikken med alkohol
PE-tømme- og avfallsposen blir sugd mot filteret	Dreieskyveren står i feil posisjon	Still dreieskyveren i posisjon  ●.
Sugere i klasse M eller H: Støv i beholder ved innsatt papirfilter	Dreieskyveren står i feil posisjon	Still dreieskyveren i posisjon  ▲.

Foreta ingen øvrige inngrep, men kontakt det sentrale kundetjenesteverkstedet.



## TEKNISET TIEDOT

nimellisteho	1400	wattia
maks. teho	1600	wattia
jännite	110 / 220	V~
Nykyinen	6,5	A
taajuus	50 / 60	Hz
ilmavirta*	64	m <sup>3</sup> /h/MG
alipaine*	260	hPa/MG
Mitat (L x H x B)	550 x 550 x 400	mm
Kaapeli	6	m
Sähköjohto pistorasialla varustetuissa imureissa:	H05RR-F 3G1,5	
äänipaine	69,0	dB(A)

### Tarkastukset

Sähkötekniset tarkastukset on suoritettava turvallisuusmääräyksen BGV A3 ja normin DIN VDE 0701 osien 1 ja 3 mukaisesti. Kyseiset tarkastukset ovat normin DIN VDE 0702 mukaan välttämättömiä säännöllisin väliajoin ja kunnossapidon tai muutoksen tekemisen jälkeen.

Valmistajan tai koulutuksen saaneen henkilön on suoritettava vähintään kerran vuodessa pölyyn liittyvä tarkastus, jolloin tarkastetaan esim. suodattimen vauriottomuus, imurin tiiviys ja säädinten toimivuus.

### CE-Rekisteröinti lausunto

Vakuutamme kantaen yksin kaiken vastuun, että tämä tuote vastaa seuraavien EY-direktiivien ja asiaankuuluvien normien vaatimuksia: konedirektiivi 2006/42/EY muutoksineen, EMC-direktiivi 2004/108/EY muutoksineen.

Imurit on tarkastettu ja hyväksytty normin IEC/EN 60335-2-69 mukaisesti.

Paul van Beek  
General Manager

Ruben Bernaert  
Product Manager

ITW Heger  
Industriepark  
Cardijnlaan 3  
B-8600 Diksmuide  
Belgien





## ENNEN KÄYTTÖÄ

Laitteen osien täysilukuisuus sekä laitteen ehjyys tulee tarkastaa pakkausmateriaalin poistamisen yhteydessä.

Imurin käyttäjille on annettava riittävästi ohjeita ja opastusta imurin käyttöön ja tietoja aineista, joita sillä aiotaan imeä, mukaan lukien tietoja imettyjen aineiden hävittämisestä, ennen laitteen käyttöä.

## OSOITTIMET JA SÄÄTIME

Laitteesta voidaan valita seuraavat toiminnot ja säädöt:

0		Imuri sammutettu	- Pistorasiassa on jännitettä
I		Imuri käynnissä	- Pistorasiassa on jännitettä - Automaattinen täristys pois toiminnasta
A		Valmiustila	- Pistorasiassa on jännitettä - Automaattinen täristys pois toiminnasta
AC		Valmiustila Automaattinen täristys	- Pistorasiassa on jännitettä - Automaattinen täristys toiminnassa - Imuri kytetään toimintaan ja sammutetaan pistorasiaan liitetyn sähkö- tai paineilmatyökälyn* kautta.
		Automaattinen täristys	- Automaattinen täristys toiminnassa; 2min
		Täyttötason osoitin * ⑥	- Täyttötason osoitin palaa säiliön ollessa täysi ja/tai imuletkun ollessa tukossa. Luokkien M ja H laitteista kuuluu lisäksi äänimerkki.
		Kierrosluvunsäädin * ⑦	- Imutehoa voi säätää portaattomasti kierrosluvunsäätimellä.
		muletkun läpimitan säädin * ⑧	- Säätimellä voi määrittää suurimman sallitun alipaineen automaattista täristystä varten.

(\*Snnbriippuen imurin varustuksesta)



## KÄYTTÖÖNOTTO

### Käynnistäminen ja sammuttaminen

**HUOMIO!** Sähkötyökalun tai paineilmatyökalun on oltava sammutettuna, kun se kytetään imuriin.

Imurin pistorasiassa on aina jännitettä kytkimen asennosta riippumatta, jos laitteen pistoke on liitetty sähköverkkoon.

Kytkimen ollessa asennossa >0< imurin pistorasiaan voi liittää jatkojohdon.

**Sähkökytkentä:** imuri + liitetty laite maks. 16 A.

Pistokkeen liittäminen pistorasiaan

<b>0</b>	Imuri sammutettu
<b>I</b>	Imuri toiminnassa ilman täristystä
<b>A</b>	varten valmiuskäyttö käynnistys-/sammutusautomaatiikkaa varten. (Imuri käynnistyy ja sammuu sähkötyökalulla)
<b>AC</b>	varten. (Imuri käynnistyy ja sammuu sähkötyökalulla) suodattimen puhdistustoiminto; tässä kytkinasennossa täytyy käynnistyä n. 10 sekunniksi ja sammuu sen jälkeen automaattisesti.

Aseta imurin kytkin asentoon >0<.

Vedä pistoke irti käytön jälkeen.

Imuputkea tulee säilyttää säiliön takaseinämässä olevassa lisätarviketelineessä\*

Letkun päät voi liittää yhteen, jottei letkusta pääse ulos likahiukkasia

**HUOMIO!** Luokkien **M** ja **H** valintakytkin vähimmäistilavuusvirran signaalia (äänimerkkiä ja valoa) varten

Letkun läpimitasta riippuen tiloissa >AR< ja >IR< on käytössä seuraavat säädöt:

Letkun sisäläpimita	Kytkimen asento
Ø 35 mm	70 m³/h
Ø 27 mm	40 m³/h
Ø 21 mm	20 m³/h

Kierroslukua ei voi säätää. Imuri käy aina suurimmalla mahdollisella kierrosluvulla.



## KÄYTTÖTILAT

Imutehoa voi säätää sivuilman sulkijalla käyttämällä kahvan putkea.

### Imeminen kuivakäytössä

Ime ainoastaan kuivalla suodattimella, kuivalla imurilla ja kuivilla lisätarvikkeilla, jottei laitteeseen pääse syntymään pölykerääntymiä.

Mikäli laitteella imetään nokea, sementtiä, kipsiä, jauhoa tai vastaavia pölyjä, on suositeltavaa käyttää paperista suodatinpussia. Paperisia suodatinpusseja on käytettävä yhdessä suodatinkasettien kanssa.

### Märkäkäyttö

**VAROITUS! Imuri on sammutettava välittömästi, jos siitä alkaa pursuta ulos vaahtoa tai nestettä. Säiliö ja mahdollinen suodatinkasetti on tyhjennettävä.**

**VIHJE** Puhdista veden täyttötason anturit ja tutki ne vaurioiden varalta säännöllisesti.

Ime ilman paperista suodatinpussia.

Suodatinkasetit soveltuvat märkäkäyttöön.

Sisäänrakennettu anturi sammuttaa moottorin säiliön tullessa täyteen. Imurin käsittely saattaa vaikeutua säiliön ollessa täysi.

Tyhjennä säiliö

**VAROITUS** Ellei imuria sammuteta, käynnistysesä pysyy toiminnassa. Imuria voi käyttää vasta sammuttamisen ja uudelleen käynnistämisen jälkeen.

Imuletku tulee ottaa pois nesteestä ennen tyhjentämistä.

Letkusta voi valua hieman vettä sammuttamisen jälkeen suuren imutehon ja virtaukselle otollisen säiliön muodon takia.

Käytä kuivaa suodatinta, jos imet laitteella tämän jälkeen kuivakäytössä.

**VIHJE** Jos laitetta käytetään usein vuorotellen kuiva- ja märkäkäytössä, on suositeltavaa käyttää ylimääräistä suodatinsarjaa, mieluiten polyesterisuodatinkasetteja.



## JATKUVA SUODATTIMIEN PUHDISTUS

Imuri on varustettu sähkömagneettisella suodattimien puhdistimella, joka tärisyttää kerääntyneen pölyn suodatinkaseteista.

Toiminto puhdistaa suodatinkasetteja jatkuvasti vuorotellen, jolloin keskeytymätön työskentely on mahdollista.

## SÄILIÖN TYHJENTÄMINEN

**VIHJE** Sallittu ainoastaan pölyillä, joita koskee työpaikan raja-arvo  $> 1 \text{ mg/m}^3$ .

Sammuta imuri ja irrota pistoke.

Avaa kiinnittimet.

Ota kansi ja imuletku irti säiliöstä.

Käännä säiliö ylösalaisin.

### Paperisen suodatinpussin hävittäminen

Irrota pistoke

Ota käyttöön suusuoja.

Irrota imuletku ja sulje imuistukka tulpalla\*.

Avaa kyljissä olevat kiinnittimet ja ota yläosa pois.

Vedä laippa irti imuistukasta ja sulje laippa.

Hävitä imemäsi aines voimassa olevien määräysten mukaisesti.

### PE-tyhjennys- ja hävityspussien hävittäminen

PE-tyhjennys- ja hävityspussi: Käynnistä imuri ja tärisytä suodatinkasetteja.

Sammuta imuri.

Ota käyttöön suusuoja.

Irrota imuletku ja sulje imuistukka tulpalla\*.

Avaa kyljissä olevat kiinnittimet ja ota yläosa pois.

Aseta yläosan kytkin ennen yläosan irrottamista asentoon  $>IR<$ , jotta laite imee mahdolliset tipahtelevat pölykerääntymät.

Sulje PE-tyhjennys- ja hävityspussi varovasti mukana toimitetulla narulla.

Vedä laippa irti imuistukasta ja sulje laippa.

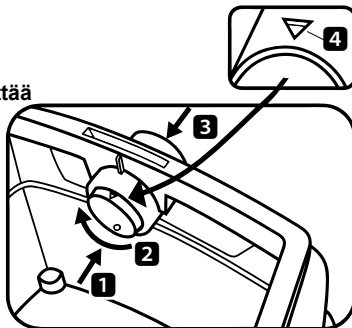
Ota PE-tyhjennys- ja hävityspussi varovasti irti säiliöstä.

Hävitä imemäsi aines voimassa olevien määräysten mukaisesti.

## Paperisen suodatinpussin asettaminen

**VIHJE: Paperisia suodatinpusseja tulee käyttää ainoastaan kuivakäytössä.**

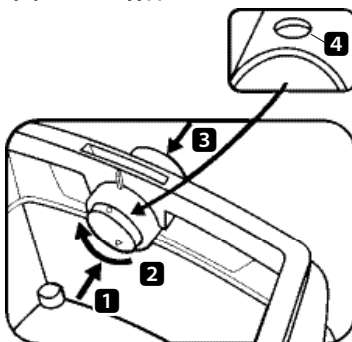
Työnnä laippa kokonaan imuaukon päälle. Vie imuaukossa oleva suljin\* siten, että merkintä **4** ▲ osoittaa ylöspäin. Aseta yläosa säiliöön ja sulje kyljissä olevat kiinnittimet..



## PE-tyhjennys- ja hävityspussien käyttö

**VIHJE: PE-tyhjennys- ja hävityspussit soveltuvat ainoastaan luokkien M ja H imureihin, joissa on erikoissäiliö ja imuaukon suljin ja jotka ovat tyyppiä**

Vie imuaukossa oleva suljin\* siten, että merkintä **4** ● osoittaa ylöspäin. Työnnä laippa kokonaan imuistukan päälle ja vie pussin yläosan suu säiliön reunan ylitse. Aseta yläosa säiliöön ja sulje kyljissä olevat kiinnittimet.



### **Sulkimen käyttö**

Paina suljin\* sisältä ulos **1**, kierrä sitä 180° **2** (katso merkintää **4** ) ja paina se uudestaan imuistukan lävitse ulkoa sisään. **3**

## **SUODATTIMEN VAIHTAMINEN**

### Rypytytyn suodattimen vaihtaminen

Tärisytä suodatinkasetteja ennen niiden vaihtamista. Kierrä salvan lukitsinta kolikolla tai vastaavalla esineellä 90° vastapäivään ja paina salpaa taaksepäin. Käännä suojus auki. Laita irrottamasi suodatinkasetit välittömästi pölytiiviseen muovipussiin, sulje pussi ja hävitä asianmukaisesti. Aseta uudet suodatinkasetit paikoilleen. Nosta lukitussankaa, käännä suojus alas ja lukitse se painamalla sitä kevyesti.



## Moottorin suojasuodattimen vaihtaminen

**VIHJE: Likaantunut moottorin suojasuodatin on merkki viallisista suodatinkaseteista.**

Vaihda suodatinkasetit.

Vaihda moottorin suojasuodatin tai pese se juoksevassa vedessä, kuivaa ja aseta takaisin paikoilleen.

## **HUOLTAMINEN**

**VIHJE: Imuri on sammutettava ja pistoke on irrotettava ennen jokaista huoltokertaa.**

Käyttäjän tulee pitää imuri kunnossa

- purkamalla se osiin
- puhdistamalla
- ja huoltamalla sen

saattamatta itseään ja muita henkilöitä vaaratilanteisiin.

### Varotoimenpiteet

Vaadittavia varotoimenpiteitä ovat

- puhdistus ennen osiin purkamista
- niiden paikallisten suodatettavien tuuletusjärjestelmien valmistelu, joista imuri aiotaan irrottaa
- huoltoalueen puhdistus
- sopivien henkilösuojainten käyttö.

### Luokkien H ja M imureita koskevat varotoimenpiteet

Imurin ulkopinnat puhdistetaan imemällä ja pyyhkimällä niistä pöly tai käsittelemällä ne tiivistysaineella, ennen kuin imuri viedään pois vaaralliselta alueelta. Kaikkien imurin osien on katsottava olevan likaisia, kun imuri viedään pois vaaralliselta alueelta, joten pölyn leviämisen estämiseksi on ryhdyttävä tarpeellisiin toimenpiteisiin.

### Likaiset tarvikkeet

Huolto- ja korjaustoimien yhteydessä on hävitettävä kaikki likaantuneet tarvikkeet, joita ei voida puhdistaa tyydyttävästi. Tällaiset tarvikkeet on hävitettävä vuotamattomissa pusseissa kyseisille materiaaleille määritettyjä voimassa olevia määräyksiä noudattaen.

### Tekniset tarkastukset

Valmistajan tai pätevän henkilön on suoritettava vähintään kerran vuodessa tekninen tarkastus, jossa tarkastetaan esimerkiksi suodattimen vauriottomuus, imurin ilmatiiviyys ja säätöjärjestelmän toimivuus.

## Imurin toiminnan testaamine

**HUOMAUTUS:** Lisäksi luokan **H** imutoiminnon moitteeton toiminta on tarkastettava vähintään kerran vuodessa.

Käyttöpaikan *ilmanvaihtuvuuden* on oltava riittävä, jos poistoilma tyhjentyy samaan huoneeseen. Lisätietoja on nähtävissä kansallisista määräyksistä.

Jos imurin imuteho heikkenee ja eikä lisäännny edes tärisyttämällä suodatinkasetteja enemmän (sillä edellytyksellä, että säiliö on tyhjennetty ja paperinen suodatinpussi vaihdettu), on välttämätöntä vaihtaa suodatinkasetit

## PUHDISTAMINEN

**VIHJE: Hapot, asetoni ja liuotusaineet voivat syövyttää imurin osia.**

Puhdista säiliö ja lisätarvikkeet vedellä.

Pyyhi yläosa kostealla liinalla.

Anna säiliön ja lisätarvikkeiden kuivua.

## KORJAAMINEN

**VAARA: Väärin suoritettut korjaustoimenpiteet voivat aiheuttaa vaaratilanteita käyttäjälle.**

**Korjaustoimet tulee jättää ala ammattilaisille, eli esim. valmistajan asiakaspalvelulle. Laitteessa tulee käyttää ainoastaan alkuperäisvaraosia.**



## KULJETTAMINEN

Työnnä imurin sulikutulppa\* imuaukkoon.

Liitä moottorin pään kunnolla säiliöön kiinnittämällä kiinnittimet.

Aseta lisätarvikkeet sopivaan muovipussiin ja sulje se tai aseta lisätarvikkeet lisätarviketelineeseen.

Liitä imuletkun alku- ja loppupäät toisiinsa.

Kierrä letku imurin ympärille ja kiinnitä kahvalla

## OMATOIMINEN HÄIRIÖIDEN POISTAMINEN

Häiriö	Mahdollinen syy	Poistotoimenpide
Imuteho on heikentynyt.	Suodatin on likainen. Paperisuodatin on täysi. Säiliö on täysi. Suutin, putki tai letku on tukkeutunut.	Puhdista. Vaihda. Tyhjennä. Puhdista
Imuri ei käynnisty.	Onko pistoke kytketty pistorasiaan? Onko sähköverkossa jännitettä? Onko sähköjohto kunnossa? Onko kansi kunnolla kiinni? Onko vesianturi sammutettu? Onko imuri valmiustilassa AR?	Aseta kytkin asentoon I tai A
Imuri ei käynnisty käynnistettäessä työkalu tilassa >AC<.	Onko työkalun pistoke kytketty laitteen pistorasiaan? Onko paineilman käynnistysautomaatiikan* magneettiventtiili likainen?	Kytke pistoke pölynimurin pistorasiaan. Huuhtelee paineilman käynnistysautomaatiikka* alkoholilla.
Järjestelmä imee PE-tyhjennys- ja hävityspussia suodattimeen.	Sulkimen asento on väärä.	Vie suljin asentoon <b>4</b> ●
Luokkien M ja H imurit: säiliössä on pölyä paperisuodattimen ollessa paikoillaan.	Sulkimen asento on väärä.	Vie suljin asentoon <b>4</b> ▲

Älä suorita muita toimenpiteitä, vaan ota yhteyttä asiakaspalveluun.

## MŰSZAKI ADATOK

Névleges teljesítmény	1400	W
Max. teljesítmény	1600	W
Feszültség	110 / 220	V~
Jelenlegi	6,5	A
Frekvencia	50 / 60	Hz
Légáram*	64	m <sup>3</sup> /óra/MG
Vákuum*	260	hPa/MG
Méreték (L x H x B)	550 x 550 x 400	mm
Kábel	6	m
A dugaszolóaljzatos porszívózásnál a csatlakozási teljesítmény:	H05RRR-F 3G1,5	
Zajszint	69,0	dB(A)

### Vizsgálatok

lektrotechnikai vizsgálatok a baleset megelőzési előírások szerint (BGV A3) és a DIN VDE 0701 1. és 3. részek szerint történtek. Ezeket a vizsgálatokat a DIN VDE 0702 szerint rendszeresen meg kell ismételni, és üzembe helyezés, vagy módosítás után újból el kell végezni.

Évente legalább egyszer a gyártónak, vagy erre kiképzett személynek portechnikai felülvizsgálatot kell végezni, pl. ellenőrizni kell a szűrők sértetlenségét, a porszívó tömítettségét, az ellenőrző készülékek működését.

### CE-Regisztrációs nyilatkozat

Kizárólagos felelősséget vállalunk arra, hogy ez a termék az EK irányelveknek és a vonatkozó szabványoknak megfelel: Gépekre vonatkozó irányelv, 2006/42/EK a módosításokkal, EMV-irányelv 2004/108/EK a módosításokkal.

A porszívó ellenőrzése sikeresen megtörtént az IEC/EN 60335-2-69 szabvány szerint..

Paul van Beek  
General Manager

Ruben Bernaert  
Product Manager

ITW Heger  
Industriepark  
Cardijnlaan 3  
B-8600 Diksmuide  
Belgien

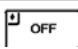
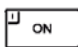
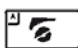

## A HASZNÁLAT ELŐTT

A kicsomagolásakor figyeljen a teljességre és a szállítási károokra.

A használat előtt a kezelőt el kell látni azokkal az információkkal, útmutatásokkal és oktatással, ami a porszívó használatához, az anyagokkal kapcsolatban szükségesek, beleértve a felszívott anyagokkal kapcsolatos bánásmódot is.

## KIJELZŐ- ÉS KEZELŐELEMEK

Válassza az alábbi funkciókat és beállításokat:

0		Porszívó kikapcsolva	- Dugaszoló aljzat feszültség alatt
I		Porszívó működik	- Dugaszoló aljzat feszültség alatt - Automatikus vibrációs funkció kikapcsolva
A		Készenléti üzemmód	- Dugaszoló aljzat feszültség alatt - Automatikus vibrációs funkció kikapcsolva
AC		Készenléti üzemmód Automatikus vibrációs funkció	- Dugaszoló aljzat feszültség alatt - Automatikus vibrációs funkció bekapcsolva - A gépet a csatlakoztatott elektromos/sűrített levegős szerszámmal* kapcsolja be ill. ki a dugaszolóaljzaton.
		Automatikus vibrációs funkció	- Automatikus vibrációs funkció bekapcsolva; 2min
		Töltés kijelző* ⑥	- Ha tele a tartály és/vagy a szívótömlőben dugulás keletkezett, világítani kezd a töltés kijelző. Az <b>M</b> és <b>H</b> osztályú gépeknél még hangjelzést is hall ilyenkor.
		Fordulatszám szabályozó* ⑦	- Folyamatosan szabályozza a szívási teljesítményt a fordulatszám szabályozóval.
		A szívótömlő átmérőjének beállítása* ⑧	- Az automatikus lerázáshoz válassza a maximális vákuum értéket.

(\*Snnbaz ön gépének a felszereltségétől függően)



## ÜZEMBE HELYEZÉS

### Be- és kikapcsolás

**VIGYÁZAT! Az elektromos szerszámot ill. sűrített levegős szerszámot a csatlakozáskor le kell kapcsolni.**

A gépen lévő dugaszoló aljzat a porszívó dugaszolóaljzatra történő csatlakoztatása után, a kapcsoló állásától függetlenül feszültség alatt lesz.

**TUDNIVALÓ :A >0< kapcsoló állásnál a gépen lévő dugaszoló aljzat hosszabbító kábelként használható.**

**Csatlakozási érték: Porszívó + csatlakoztatott készülék maximum 16 A.**

A dugó csatlakoztatása a dugaszolóaljzatra

<b>0</b>	Porszívó kikapcsolva
<b>I</b>	A gép vibrációs funkció nélkül bekapcsolva
<b>A</b>	Szívás standby esetén a be/kikapcsoló automatika készenléti üzemmódja (a porés vízszívót a villamos szerszám kapcsolja BE és KI)
<b>AC</b>	Szívás standby esetén Készenléti üzem, mint „A” plus automatikus szűrőtisztítás. A szívás csak a szerszám bekapcsolásakor indul el, de ezt automatikusan teszi. A szerszám lekapcsolása után még kb. 10 mp-ig működik a porszívó, hogy ezzel megakadályozza, hogy por maradjon vissza a tömlőben.

Állítsa a gépet a >0< kapcsoló állásba.

A végén húzza ki a hálózati csatlakozót.

A szívó csövet tároláshoz dugja be az erre a célra szolgáló tartozék tárolóba\* és rögzítse a tartály hátoldalán.

A tömlővégeket összedughatja, így nem esnek ki belőle a szennyeződések.

**VIGYÁZAT! Minimális térfogatáramlást jelző hang és fényjelzés előválasztó kapcsoló az „M” és „H” osztályú porszívóknál.**

>AR< és >IR< üzemmódban a tömlő átmérő függvényében az alábbi beállítást végezze el

Tömlő belső átmérő	Kapcsolóállás
Ø 35 mm	70 m <sup>3</sup> /óra
Ø 27 mm	40 m <sup>3</sup> /óra
Ø 21 mm	20 m <sup>3</sup> /óra

Nincs fordulatszám szabályozás. A porszívó mindig max. fordulatszámmal működik.

## ÜZEMMÓDOK

Fogantyúcső használatakor a falsvevő tolokával szabályozhatja a szívóteljesítményt.

### Száraz porszívózás

Csak száraz szűrővel, porszívóval és tartozékkal porszívózzon, hogy a por ne tudjon letapadni, felhalmozódni.

Ha kormot, cementet, gipszet, lisztet, vagy ehhez hasonló porokat szív fel, javasoljuk a papír szűrőtasak használatát. A papír szűrőtasakot mindig a redőzött szűrőkazettával együtt használja.

### Nedves porszívózás

**FIGYELMEZTETÉS! Ha a porszívóból hab, vagy folyadék folyik ki, azonnal kapcsolja ki a gépet. Üritse ki a tartályt és ha szükséges a redőzött szűrőkazettát.**

**TUDNIVALÓ: A vízszint érzékelőket rendszeresen tisztítsa meg, és vizsgálja meg, nincs-e rajtuk sérülés**

Porszívózzon papír szűrőtasak nélkül.

A redőzött szűrőkazetta a nedves porszívózásra alkalmas.

A beépített érzékelő teli tartálynál lekapcsolja a motort. A porszívó kezelését befolyásolhatja a teli tartály.

Üritse ki a porszívót

**VIGYÁZAT! Ha nem kapcsol ki a porszívó, az újbóli indítási védelem továbbra is működésben marad. Csak a kikapcsolás és az újbóli bekapcsolás után lesz újból üzemkész a porszívó.**

A kiürítés előtt vegye ki a folyadékból a szívótömlőt.

A túl magas szívóteljesítmény és az áramlásnak kedvező tartályforma miatt a kikapcsolás után visszafolyhat egy kis víz a tömlőből.

Az ezt követő száraz porszívózásnál tegye be a száraz szűrőt.

**TUDNIVALÓ: A száraz és nedves porszívózás gyakori váltogatása esetén azt javasoljuk a második szűrőkészlet használatát, kiváltképpen a poliészter redőzött szűrőkazetta használatát**

## PERMANENS SZŰRŐ LETAKARÍTÁS

A porszívó elektromágneses szűrő tisztítóval rendelkezik, amivel a feltapadó por lerázható a redőzött szűrőkazettáról.

A redőzött szűrőkazetta felváltva, és egymás után kerül tisztításra, úgy hogy a folyamatos munkavégzés garantált.

## A TARTÁLY KIÜRÍTÉSE

**TUDNIVALÓ :Csak az ilyen poroknál engedélyezett: AGW's > 1 mg/m<sup>3</sup>.**

Kapcsolja ki a porszívót, húzza ki a hálózati csatlakozót.

Nyissa ki a reteszeket.

Vegye el a fedelet és a szívótömlőt a tartályról.

Pattintsa ki a tartályt

### Papír szűrőtásak hulladékkezelése

Húzza ki a hálózati csatlakozót .

Húzza le a szájjvédőt.

Vegye el a szívótömlőt, zárja le a szívócsonkot a dugóval\*.

Nyissa ki az oldalsó reteszeket.

A peremet óvatosan húzza le a szívócsonkokról és zárja le a peremet.

Az összegyűjtött port az előírásoknak megfelelően hulladék kezelje.

### PE ürítő és hulladékkezelő tasak kezelése

PE ürítő és hulladékkezelő tasak Kapcsolja be a porszívót, rázza ki a redőzött szűrőkazettát. Kapcsolja ki a porszívót .

Húzza le a szájjvédőt.

Vegye el a szívótömlőt, zárja le a szívócsonkot a dugóval\*.

Nyissa ki az oldalsó reteszeket.

A felső részt, a lehelyezés előtt, kapcsolja >IR< állásba, hogy az esetlegesen leeső maradék port fel tudja szívni.

A PE ürítő és hulladékkezelő tasakot óvatosan zárja le a mellékelt záró szalaggal.

A perem óvatos lehúzása a szívócsonkokról és lezárásuk.

A PE ürítő tasak és hulladékkezelő tasak óvatos kivétele a tartályból.

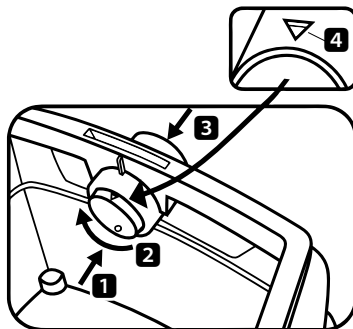
Az összegyűjtött port az előírásoknak megfelelően hulladék kezelje

H

## Papír szűrőtasak behelyezése

**TUDNIVALÓ:** A papír szűrőtasakot csak a száraz porszívózáshoz használja

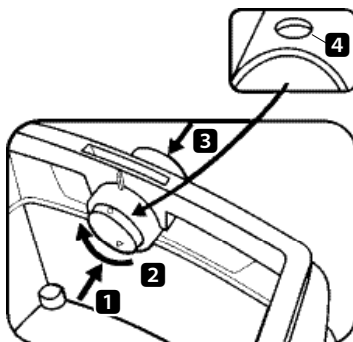
A forgótólókát a **4 ▲** jelöléssel felfelé állítsa a szívónyílásba.  
A peremet teljesen tolja át a szívónyíláson  
A felső részt tegye a tartályra és zárja le az oldalsó reteszeket.



## PE ürítő és hulladékkezelő tasak behelyezése

**TUDNIVALÓ:** Csak az M és H osztályú , különleges tartályos és az AC1630P-M típusú szívó nyílásokban lévő forgó tolokás porszívók alkalmasak a PE ürítő és hulladékkezelő tasakok használatára.

A forgótólókát a **4 ●** jelöléssel felfelé állítsa a szívónyílásba  
Teljesen tolja át a peremet a szívócsconkokon.  
a felső tasak nyílás a tartályperem fölött legyen..  
A felső részt tegye a tartályra és zárja le az oldalsó reteszeket.



## A forgó toloká\* kezelése

A forgó tolokát\* nyomja belülről kifelé és forgassa **1** el 180°-kal **2** (lásd a jelölést **4**), majd kívülről ismét nyomja befelé a szívócsconkokon keresztül. **3**

## SZŪRŐ CSERE

### Redőzött szűrő csere

Rázza le a redőzött szűrőkazettát a szűrő csere előtt.  
Egy érmével, vagy hasonló tárggyal a záron forgassa el 90°-kal a reteszt az óramutató járásának megfelelően, és a zárat nyomja hátra.  
A fedél felnyitása  
A kivett redőzött szűrőkazettát azonnal tegye egy légmentesen záródó műanyagtasakba, zárja le, és előírászerűen végezze el a hulladékkezelést.  
tegye be az új redőzött szűrőkazettát.  
Emelje fel a záró keretet, hajtja le a fedelet és zárja le egy finom nyomással.

A motorvédő szűrő cseréje

**TUDNIVALÓ : Ha elszenyездött a motorvédő szűrő, akkor ez a hibás szűrőkazetta áruló jele.**

Cserélje ki a redőzött szűrőkazettát.

Tegye be a motorvédő szűrőt ill. folyóvízzel mossa ki a motorvédő szűrőt, szárítsa ki, majd tegye vissza.

## **KARBANTARTÁS**

**TUDNIVALÓ : A porszívót minden karbantartás előtt kapcsolja ki és húzza ki a dugaszt az aljzathól.**

A karbantartáshoz a felhasználó a porszívót

- szedje szét,
- tisztítsa meg és
- tartsa karban,

amennyiben ez végrehajtható, és nem veszélyezteti a karbantartó személyzetet és más személyeket.

Biztonsági rendszabályok

Tartsa be a megfelelő biztonsági rendszabályokat.

- A leszerelés előtti tisztítás.
- Gondoskodjon arról, hogy a porszívó szétszerelési helyén biztosított legyen a szűrt kényszerszellőzés.
- Gondoskodjon a karbantartási terület tisztán tartásáról és a
- Megfelelő személyi védőfelszerelésről.

A H és M osztályú porszívók biztonsági rendszabályai

A porszívó külsejét a porszívózással kell megtisztítani, majd tisztára mosni vagy tömítő anyaggal lekezelni, még mielőtt a veszélyes részekhez érne. Minden porszívó alkatrészt tisztítatlannak kell tekinteni, ha kiveszi őket a veszélyes helyekről, és ezért ezeket megfelelő kezelésnek kell alávetni, hogy elkerülje a por szétterjedését.

Tisztítatlan tárgyak

A karbantartás vagy javítás végrehajtásánál az összes olyan tisztítatlan tárgyat, amit nem lehet kielégítően megtisztítani, ártalmatlanítani kell. Az ilyen tárgyakat légmentesen záró tasakokba kell tenni, ennek során tartsa be az ilyen hulladékok kezelésére vonatkozó előírásokat.

Műszaki felülvizsgálat

A gyártónak, vagy egy szakembernek évente legalább egyszer el kell végeznie egy műszaki felülvizsgálatot, ami például a szűrők sértetlenségének, a porszívó légtömörségének ellenőrzésére, és az ellenőrző készülékek működőképességére terjed ki



## **A porszívó hatékonyságának tesztelése**

egalább egyszer ellenőrizni kell a porszívó hatékonyságát.

Ehhez megfelelő „L” - *légcseré tényezőnek* kell lenni a helyiségben, ha az elhasznált levegő visszaáramlik a helyiségbe. A további tudnivalóknak nézzen utána a helyi előírásokban.

Ha csökken a porszívó szívó teljesítménye, és növekszik a redőzött szűrőkazetták letisztulása, a szívó teljesítmény már nem megfelelő (feltétel, hogy a tartály üres, és kicserélte a papír szűrőtasakot) akkor arra van szükség, hogy kicserélje a redőzött szűrőkazettáit

## **TISZTÍTÁS**

**TUDNIVALÓ :A savak, aceton, oldószer a szívó alkatrészeket kimarhatják.**

Tisztítsa meg vízzel a tartályt és a tartozékokat.

A felsőrészt törölje le nedves törölkendővel.

Száráítsa meg a tartályt és a tartozékokat.

## **JAVÍTÁS**

**VESZÉLY! A porszívó szakszerűtlen javítása veszélyt jelent a kezelő számára.**

**A javításokat csak szakemberrel, pl. a vevőszolgálat munkatársával végeztesse el. Csak az eredeti pótalkatrészeket alkalmazza.**

## **SZÁLLÍTÁS**

Tegye a porszívó záródugóit\* a szívó nyílásba.

A motorfejet biztosan össze kell kötni a tartállyal (a reteszek zárása).

A tartozékot tegye a megfelelő műanyag tasakba és zárja be a műanyag tasakot ill. tegye a szerszám tárolóba.

A szívótömlő elejét és a végét dugja össze.

A tömlőt helyezze a porszívó köré és rögzítse a fogantyún

## MŰKÖDÉSI ZAVAROK SAJÁTKEZŰ ELHÁRÍTÁSA

Zavar	Lehetséges ok	Elhárítás
Csökken a szívóteljesítmény	A filter elkoszolódott Tele a papírszűrő Tele a tartály Eldugult a fűvóka, cső vagy a tömlő	Tisztítás. Csere. Ürítés. Tisztítás.
Nem indul be a porszívó	Bedugta a dugót az aljzatba? Van hálózati feszültség? A hálózati kábel rendben? Rendesen lezárta a fedelet? Kikapcsolt a víz érzékelő? A porszívó „AR” üzemműködés állapotban van?	Állítsa a kapcsolót „I” vagy „A” állásba
A porszívó a szerszám bekapcsolásakor nem indul el az >AC< üzemműködésben	Csatlakoztatta a szerszám dugóját a készülék dugaszoló aljzatába? Nem szennyeződött el a sűrített levegő kapcsoló automatika* mágnes szelepe?	Csatlakoztassa a hálózati csatlakozót a porszívó dugaszoló aljzatába. Öblítse át alkohollal a sűrített levegő kapcsoló automatikát*.
A PE ürítő és hulladékkezelő tasak rászívódik a szűrőre	Hibás a forgó tolóka helyzete	Állítsa a forgó tolókát a <b>4</b> ● helyzetbe
Az <b>M</b> vagy <b>H</b> osztályú porszívó: behelyezett papírszűrőnél por van a tartályban	Hibás a forgó tolóka helyzete	A forgó tolókát állítsa <b>4</b> ▲ állásba

Ne tegyen más beavatkozást, hanem hívja fel a vevőszolgálat szervizét..



## DANE TECHNICZNE

Napięcie znamionowe	1400	Watów
Maks. moc	1600	Watów
Napięcie	110 / 220	V~
Prąd	6,5	A
Częstotliwość	50 / 60	Herzów
Przepływ powietrza*	64	l / s
Podciśnienie*	260	hPa
Wymiary (L x H x B)	550 x 550 x 400	mm
Kabel	6	m
Przewód zasilający przy odkurzaniu z gniazdem:	H05RR-F 3G1,5	
poziom hałasu	69,0	dB(A)

### Kontrole

Kontrole elektrotechniczne należy przeprowadzać zgodnie z przepisami dotyczącymi zapobieganiu wypadkom (BGV A3) i DIN VDE 0701 część 1 i część 3. Kontrole te są konieczne zgodnie z DIN VDE 0702 w regularnych odstępach oraz po wprowadzeniu zmian.

Co najmniej raz do roku producent lub przeszkolona osoba musi przeprowadzić kontrolę techniczną składającą się np. z kontroli filtra pod kątem uszkodzeń, szczelności powietrznej odkurzacza i prawidłowego działania urządzeń kontrolnych

### CE-Oświadczenie Rejestracja

Oświadczamy na własną odpowiedzialność, że produkt ten jest zgodny z dyrektywami WE oraz właściwymi normami: Dyrektywa maszynowa 2006/42/WE ze zmianami, Dyrektywa o kompatybilności elektromagnetycznej 2004/108/WE ze zmianami.

Odkurzacze są skutecznie sprawdzone zgodnie z IEC/EN 60335-2-69

Paul van Beek  
General Manager

Ruben Bernaert  
Product Manager

ITW Heger  
Industriepark  
Cardijnlaan 3  
B-8600 Diksmuide  
Belgien

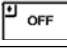
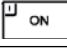
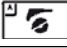



## PRZED UŻYCIEM

Przy rozpakowywaniu zwrócić uwagę na kompletność i szkody transportowe. Przed użyciem użytkownicy powinni otrzymać informacje, wskazówki i szkolenie dotyczące użycia odkurzacza i substancji, do których ma być użyty, włącznie z bezpieczną procedurą usunięcia wciągniętych materiałów.

## WSKAŹNIKI I ELEMENTY OBSŁUGI

Wybierz następujące funkcje i ustawienia:

0		Odkurzacze wyłączony	- Wtyczka zasilająca
I		Odkurzacze pracuje	- Wtyczka zasilająca - Automatyka funkcja wibratora wyłączona
A		Tryb gotowości	- Wtyczka zasilająca - Automatyka funkcja wibratora wyłączona
AC		Tryb gotowości Automatyka funkcja wibratora	- Wtyczka zasilająca - Automatyka funkcja wibratora włączona - Odkurzacze będzie włączony i wyłączony przez podłączone do gniazda zasilającego narzędzie elektryczne/narzędzie pneumatyczne*.
		Automatyka funkcja wibratora	- Automatyka funkcja wibratora włączona; 2min
		Wskaźnik wypełnienia * ⑥	- Przy pełnym pojemniku i/lub zatkaniach węża odkurzacza świeci wskaźnik wypełnienia. W odkurzaczach klasy M i H brzmi dodatkowo sygnał akustyczny.
		Regulacja prędkości obrotowej * ⑦	- Przy pomocy regulatora obrotów reguluje się krokowo moc ssania.
		Ustawienie średnicy węża ssącego * ⑧	- Określ maksymalną wartość podciśnienia dla automatycznego strzęsienia.

(\*Snnbw zależności od wariantu wyposażenia odkurzacza)

## URUCHOMIENIE

### Włączenie i wyłączenie

**OSTROŻNIE: Przy podłączeniu narzędzie elektryczne lub pneumatyczne musi być wyłączone**

Wtyczka w odkurzaczu przy wtyczce włożonej do gniazda jest zawsze pod napięciem niezależnie od pozycji przełącznika.

**WSKAZÓWKAW: położeniu >0< gniazdo w odkurzaczu może być używane jako przedłużacz.**

**Pobór prądu: Odkurzacz + podłączone urządzenie maksymalnie 16 A.**

Wtyczkę włożyć do gniazda

<b>0</b>	Odkurzacz wyłączony
<b>I</b>	Odkurzacz włączony bez funkcji wstrząsania
<b>A</b>	Odkurzacz w trybie czuwania tryb gotowości dla automatycznego włączania i wyłączania (odkurzacz jest włączany i wyłącza)
<b>AC</b>	Odkurzacz w trybie czuwania tryb czuwania jak w „A” plus automatyczne czyszczenie filtra. Dopiero po włączeniu narzędzia odkurzacz włącza się automatycznie. Po wyłączeniu narzędzia odkurzacz pracuje jeszcze ok. 10 sek. przez co w wężu nie zostaną żadne resztki.

Ustawić odkurzacz w położeniu >0<

Po zakończeniu wyciągnąć wtyczkę sieciową.

W celu przechowania rurę odkurzacza wstawić i zamocować w uchwycie na tylnej ścianie pojemnika\*.

Końce węża można połączyć ze sobą aby nie wydostawały się żadne nieczystości.

**OSTROŻNIE: Przełącznik wyboru dla sygnału minimalnego przepływu (buczek i światło) w odkurzaczach klasy „M” i „H”**

**W trybie >AC< i >A< wykonane będzie następujące ustawienie w zależności od średnicy węża:**

Wewnętrzna średnica węża	Ustawienie przełącznika
Ø 35 mm	70 m <sup>3</sup> /h
Ø 27 mm	40 m <sup>3</sup> /h
Ø 21 mm	20 m <sup>3</sup> /h

Nie następuje żadna regulacja obrotów. Odkurzacz pracuje zawsze z maksymalną ilością obrotów.

## RODZAJE PRACY

W przypadku zastosowania rury z uchwytem przy pomocy zasuwki powietrza możliwa jest regulacja mocy ssania.

### Odkurzanie suche

Tylko z suchym filtrem, odkurzyć odkurzacz i akcesoria, aby nie pozostał kurz i nie utworzył skorupy.

Kiedy odkurzane będą sadza, cement, gips, mąka lub podobne pyły zaleca się stosowanie worka papierowego. Worek papierowy stosować zawsze w połączeniu z kasetą na filtr

### Odkurzanie mokre

**Ostrzeżenie!** W przypadku wydostawania się piany lub płynu natychmiast wyłączyć odkurzacz.

Opróżnić pojemnik i w razie potrzeby kasetę na filtr

**WSKAZÓWKA:** Regularnie czyścić czujniki poziomu wody (1) i sprawdzać pod kątem widocznych uszkodzeń

Odkurzać bez filtra papierowego.

Kasety na filtry przystosowane są do odkurzania mokrego.

Wbudowany czujnik wyłącza silnik przy pełnym pojemniku. Postępowanie się odkurzaczem może być utrudnione przez przepelniony pojemnik.

Opróżnić pojemnik

**Ostrzeżenie!** Kiedy odkurzacz nie będzie wyłączony ochrona przed ponownym wciąganiem działa w dalszym ciągu. Dopiero po wyłączeniu i ponownym włączeniu odkurzacz jest ponownie gotowy do pracy

Przed opróżnieniem wyciągnąć najpierw wąż ssący z cieczy.

Przez wysoką moc ssania i opływowy kształt pojemnika po wyłączeniu z węża może wylewać się trochę wody.

Przy końcowym odkurzaniu suchym stosować suchy filtr

**WSKAZÓWKA:** Przy częstej zmianie pomiędzy suchym i mokrym odkurzaniem zaleca się stosowanie drugiego zestawu filtrów najlepiej kasety na filtry poliestrowe.

## STAŁE CZYSZCZENIE FILTRU

Odkurzacz wyposażony jest w elektromagnetyczny mechanizm czyszczenia filtra, przy pomocy którego brud zgromadzony w kasetach na filtr może zostać usunięty. Kasety na filtr będą czyszczone na zmianę kolejno po sobie tak, że zagwarantowana jest możliwość stałej pracy

## OPRÓŻNIANIE POJEMNIKA

**Wskazówka: Dopuszczalny tylko przy pyłach o AGW > 1 mg/m<sup>3</sup>.**

Wyłączyć odkurzacz, wyciągnąć wtyczkę.  
Otworzyć zapięcia.  
Zdjąć ze zbiornika pokrywę i wąż ssący.  
Wysypać pojemnik.

Usunąć papierowy worek filtra.

Wyciągnąć wtyczkę sieciową  
Nałożyć maskę ochronną.  
Wyjąć wąż ssący, zamknąć wylot przy pomocy zatyczki\*.  
Otworzyć boczne zapięcia, zdjęć górną część.  
Kołnierz zdjęć ostrożnie z wylotu i zamknąć.  
Wciągnięty brud usunąć zgodnie z przepisami.

Usunąć worki

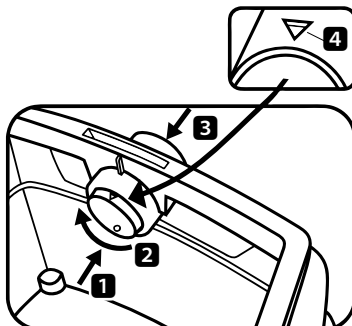
Worki: Włączyć odkurzacz, otrząsnąć kasety na filtr. Wyłączyć odkurzacz.  
Nałożyć maskę ochronną.  
Wyjąć wąż ssący, zamknąć wylot przy pomocy zatyczki\*.  
Otworzyć boczne zapięcia, zdjęć górną część.  
Przed odstawieniem górną część włączyć na położenie >IR< aby wciągnięty został spadający ewentualnie brud.  
Ostrożnie zamknąć worki przy pomocy załączonej taśmy.  
Kołnierz zdjęć ostrożnie z wylotu i zamknąć  
Ostrożnie wyjąć worki z pojemnika  
Wciągnięty brud usunąć zgodnie z przepisami

Nałożyć papierowy worek filtra

**WSKAZÓWKA:** Papierowe worki filtra używać tylko do odkurzania suchego

Kołnierz całkowicie przesunąć nad otwór wlotowy Zasuwkę obrotową\* na otworze wyjściowym ustawić znacznikiem 4 ▲ do góry.

Górną część założyć na pojemnik i zamknąć boczne zaczepy.



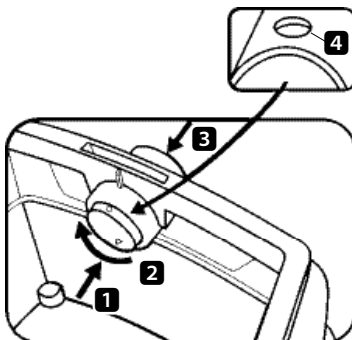
Założenie worków\*

**WSKAZÓWKA:** Odkurzacze klasy M i H ze specjalnym pojemnikiem i zasuwką obrotową przy otworze wlotowym typu AC 1630 P-M przystosowane są do zastosowania worków.

Zasuwkę obrotową\* na otworze wyjściowym ustawić znacznikiem 4 ● do góry

Kołnierz całkowicie przesunąć nad otwór wlotowy, górny otwór worka położyć na krawędzi pojemnika.

Górną część założyć na pojemnik i zamknąć boczne zaczepy.



**Obsługa zasuwki obrotowej\***

Zasuwkę obrotową\* nacisnąć od wewnątrz na zewnątrz 1, obrócić o 180° 2 (patrz znacznik 4) i przez uchwyt wlotowy wcisnąć ponownie do środka 3

## WYMIANA FILTRA

Wymiana filtra składanego

Otrząsnąć kasety filtrów składanych przed wymianą filtra.

Zamek na zasuwie obrócić przy pomocy monety lub innego przedmiotu o 90° w kierunku przeciwnym do ruchu zegara i wcisnąć do tyłu zasuwę.

Zamknąć osłonę.

Po wyjęciu kasetę filtra natychmiast zamknąć w szczelnym worku plastikowym i usunąć zgodnie z przepisami.

Założyć nowe kasety filtra.

Podnieść pałąk zamka, opuścić osłonę i unieruchomić przez lekkie wciśnięcie.

PL

## Wymiana filtra ochrony silnika

**WSKAZÓWKA:** Jeżeli filtr ochronny silnika byłby zabrudzony, wskazuje to na uszkodzoną kasetę filtra.

Zakładanie kasety filtra składanego.

Wymienić filtr ochrony silnika lub umyć go pod bieżącą wodą, wysuszyć i ponownie założyć

## KONSERWACJA

**Wskazówka:** Przed każdą konserwacją odkurzacz wyłączyć i wyciągnąć wtyczkę sieciową.

W celu konserwacji użytkownik musi odkurzacz

- rozebrać,
- wyczyścić i
- i zakonserwować

o ile jest to możliwe bez stwarzania zagrożenia dla personelu konserwującego i innych osób

### Środki ostrożności

Odpowiednie środki ostrożności zawierają

- Czyszczenie przed demontażem,
- Wykonać zabezpieczenia dla miejscowej wentylacji filtrowanej, przy której odkurzacz będzie demontowany,
- Czyszczenie obszaru konserwacji i
- odpowiednie osobiste wyposażenie ochronne

### Środki ostrożności dla odkurzaczy klasy H i M

Zewnętrzna część odkurzacza powinna być odkurzona i wytarta do czysta lub przykryta zanim zostanie wyprowadzona z niebezpiecznego obszaru. Wszystkie części odkurzacza muszą być traktowane jako zanieczyszczone kiedy będą przenoszone z niebezpiecznego obszaru i muszą być przeprowadzone odpowiednie czynności aby zapobiec rozprzestrzenianiu się pyłu.

### Zanieczyszczone przedmioty

Podczas wykonywania prac konserwacyjnych i naprawczych wszystkie zanieczyszczone przedmioty, które nie mogą być w zadowalający sposób wyczyszczone, muszą zostać usunięte. Przedmioty takie muszą być usunięte w szczelnych workach zgodnie z obowiązującymi przepisami dotyczącymi tego rodzaju odpadów.

### Kontrola techniczna

Co najmniej raz do roku producent lub przeszkolona osoba musi przeprowadzić kontrolę techniczną składającą się np. z kontroli filtra pod kątem uszkodzeń, szczelności powietrznej odkurzacza i prawidłowego działania urządzeń kontrolnych.

## Sprawdzenie skuteczności odkurzacza

**UWAGA:** Dodatkowo w odkurzaczach klasy **H** skuteczność odkurzacza powinna być sprawdzona co najmniej raz do roku.

W pomieszczeniu musi być zapewniony wystarczający *poziom wymiany powietrza L* jeżeli powietrze wydychywane jest ponownie do pomieszczenia. Dalsze wskazówki należy pobrać z przepisów narodowych.

Jeżeli moc ssania odkurzacza spada i wyczyszczenie kaset na filtry nie poprawia tego (zakładając, że pojemnik jest opróżniony i papierowy worek filtra wymieniony), wówczas konieczna jest wymiana kaset na filtr.

## **CZYSZCZENIE**

Kwasy, aceton i rozpuszczalniki mogą nadżerać elementy odkurzacza.

- Pojemnik oraz akcesoria czyścić wodą.
- Górną część wytrzeć wilgotną ściereczką.
- Pojemnik oraz akcesoria osuszyć

## **NAPRAWA**

**NIEBEZPIECZEŃSTWO!** Nieprawidłowo naprawiane urządzenie stanowi niebezpieczeństwo dla użytkownika.

**Naprawy zlecać tylko wykwalifikowanym pracownikom, np. serwisowi. Stosować tylko oryginalne części zamienne**

## **TRANSPORT**

Włożyć korek do otworu ssącego.

Głowica silnika musi być pewnie połączona z silnikiem (zamknąć zamki).

Oprzysiężowanie włożyć do plastikowego worka i zamknąć lub odłożyć go na miejsce przechowywania.

Połączyć początek i koniec węża ssącego.

Wąż owinąć wokół odkurzacza i zamknąć na uchwycie

## **POMOC WŁASNA PRZY ZAKŁÓCENIACH**

Zakłócenie	Możliwa przyczyna	Usunięcie
Spadek mocy ssania	Zabrudzony filtr Papierowy filtr zapełniony Pojemnik pełny Dysza, rura i wąż zatkane	Czyszczenie. Wymiana. Opróżnianie. Czyszczenie.
Odkurzacze nie włącza się	Wtyczka w gniazdku? Brak napięcia sieci? Kabel sieciowy w porządku? Pokrywa prawidłowo zamknięta? Czujnik wody wyłączony? Odkurzacze w trybie czuwania „AR”?	Ustawić na „I” lub „A”
Odkurzacze nie włącza się przy podłączonym narzędziu w trybie >AC<.	Wtyczka sieciowa narzędzia w gniazdku? Zawór magnetyczny automatyki włączenia powietrza pod ciśnieniem* zabrudzony?	Wtyczkę włożyć do gniazda odkurzacza Przepłukać alkoholem automatykę włączenia powietrza pod ciśnieniem
Worki zostały zassane na filtrze	Nieprawidłowe położenie zasuwki obrotowej	Zasuwkę obrotową ustawić w położeniu <b>4</b> ●
Odkurzacze klasy <b>M</b> lub <b>H</b> : przy zastosowaniu filtra papierowego pyt w pojemniku	Nieprawidłowe położenie zasuwki obrotowej	Zasuwkę obrotową ustawić w położeniu <b>4</b> ▲

Nie wykonywać żadnych dalszych czynności lecz skontaktować się z centralą obsługi klienta.



## TECHNICKÉ ÚDAJE

Jmenovitý výkon	1400	W
Max. výkon	1600	W
Napětí	110 / 220	V~
Proud	6,5	A
Frekvence	50 / 60	Hz
Vzduchový proud*	64	l / s
Podtlak*	260	hPa
Rozměry (L x H x B)	550 x 550 x 400	mm
Kabel	6	m
Přívodní kabel u vysavačů se zásuvkou:	H05RR-F 3G1,5	
Akustický tlak	69,0	dB(A)

### Kontroly

ními předpisy (BGV A3) a normou DIN VDE 0701 část 1 a část 3. Tyto kontroly je v souladu s normou DIN VDE 0702 třeba provádět v pravidelných intervalech a po provedené opravě nebo výměně.

Minimálně jednou ročně musí výrobce nebo vyškolená osoba provést technickou kontrolu, např. z hlediska poškození filtru, těsnosti vysavače a funkce kontrolních zařízení.

### CE-Registrace prohlášení

Prohlašujeme na vlastní odpovědnost, že tento výrobek je v souladu se směrnicemi ES a příslušnými normami: směrnice 2006/42/ES o strojních zařízeních včetně změn, směrnice 2004/108/ES o elektromagnetické kompatibilitě včetně změn. Vysavače jsou testovány v souladu s normou IEC/EN 60335-2-69.

Paul van Beek  
General Manager

Ruben Bernaert  
Product Manager

ITW Heger  
Industriepark  
Cardijnlaan 3  
B-8600 Diksmuide  
Belgien




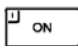
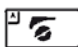

## PŘED POUŽITÍM

Při vybalování zkontrolujte, zda je dodávka kompletní a zda nedošlo během přepravy k poškození přístroje.

Před použitím by měli být uživatelé informováni, poučeni a vyškoleni s ohledem na použití vysavače a látky, na které má být vysavač použit, včetně bezpečného postupu při odstraňování zachyceného materiálu.

## INDIKAČNÍ A OBSLUŽNÉ PRVKY

Zvolte tyto funkce a nastavení:

0		Vysavač vypnutý	- Zásuvka pod napětím
I		Vysavač zapnutý	- Zásuvka pod napětím - Automatická vibrační funkce Vyp
A		Pohotovostní provoz	- Zásuvka pod napětím - Automatická vibrační funkce Vyp
AC		Pohotovostní provoz Automatická vibrační funkce	- Zásuvka pod napětím - Automatická vibrační funkce Zap - Vysavač je zapnut a vypnut pomocí připojeného elektrického/pneumatického nástroje* v zásuvce.
		Automatická vibrační funkce	- Automatická vibrační funkce Zap; 2min
		Indikace stavu naplnění * ⑥	- Je-li zásobník plný a/nebo je-li sací hadice ucpaná, rozsvítí se indikace stavu naplnění. U vysavačů třídy <b>M</b> a <b>H</b> zazní ještě akustický signál.
		Regulace otáček * ⑦	- Pomocí regulátoru otáček můžete plynule regulovat sací výkon.
		Nastavení průměru sací hadice* ⑧	- Stanovte maximální hodnoty podtlaku pro automatické vibrování.

(\*Snnb podle varianty vybavení vysavače)



## UVEDENÍ DO PROVOZU

### Zapnutí a vypnutí

**POZOR: Elektrický, resp. pneumatický nástroj musí být při připojování vypnut**

Je-li síťová zástrčka zapojená, je zásuvka na vysavači stále pod napětím nezávisle na poloze spínače.

**UPOZORNĚN: Je-li spínač v poloze >0<, může být zásuvka na vysavači použita jako prodlužovací kabel.**

**I Přípojná hodnota: vysavač + připojený přístroj maximálně 16 A.**

Zapojte zástrčku do zásuvky

<b>0</b>	Vysavač vypnutý
<b>I</b>	Vysavač zapnutý bez vibrační funkce
<b>A</b>	Vysavač v pohotovostním režimu Provozní pohotovost pro zapínací/vypínací automatiku. (odsává se zapne a vypne od elektrického nástroje)
<b>AC</b>	Vysavač v pohotovostním režimu pohotovostní režim jako „A“ plus automatické čištění filtru Vysavač se automaticky zapne až po zapnutí nástroje. Po vypnutí nástroje běží vysavač ještě cca 10 s, tím se zabrání tomu, aby v hadici zůstalo zbytkové množství.

Nastavte spínač vysavače do polohy >0<.

Po ukončení práce vytáhněte síťovou zástrčku ze zásuvky.

Pro uschování sací trubky zastrčte do příslušné přihrádky na příslušenství\* na zadní stěně zásobníku a připevněte ji.

Konce hadice můžete spojit dohromady, aby neunikaly částičky nečistot

**POZOR: Spínač předvolby pro signál minimálního objemového proudu (houkačka a světlo) u vysavačů třídy „M“ a „H“**

V režimu >AR< a >IR< je podle průměru hadice provedeno toto nastavení:

Vnitřní průměr hadice	Poloha spínače
Ø 35 mm	70 m <sup>3</sup> /h
Ø 27 mm	40 m <sup>3</sup> /h
Ø 21 mm	20 m <sup>3</sup> /h

Není provedena žádná regulace otáček. Vysavač vždy běží s max. počtem otáček.

## PROVOZNÍ REŽIMY

Při použití trubky rukojeti lze pomocí šoupátka sekundárního vzduchu přizpůsobit sací výkon.

### Suché vysávání

Vysávejte pouze se suchým filtrem, vysavačem a příslušenstvím, aby se prach nezachytával a neucpával hadici.

Vysáváte-li saze, cement, sádro, mouku nebo podobné prachy, doporučujeme použít papírový filtrační sáček. Papírový filtrační sáček používejte vždy v kombinaci s kazetami se skládaným filtrem

### Mokrý vysávání

**VAROVÁNÍ! : Při úniku pěny nebo tekutiny vysavač ihned vypněte.**

Vyprázdněte zásobník, popř. kazetu se skládaným filtrem

**UPOZORNĚN: Pravidelně čistěte snímače hladiny vody (1) a kontrolujte je z hlediska poškození.**

Vysávejte bez papírového filtračního sáčku.

Kazety se skládaným filtrem jsou vhodné k mokrému vysávání.

Integrovaný snímač vypne motor, je-li zásobník plný. Manipulace s vysavačem může být díky plnému zásobníku omezena.

Vyprázdněte vysavač

**POZOR: Není-li vysavač vypnutý, zůstane ochrana proti opětovnému spuštění i nadále aktivní. Vysavač je opět připravený k provozu až po vypnutí a opětovném zapnutí**

Před vyprázdněním nejdříve vyjměte sací hadici z kapaliny.

V důsledku vysokého sacího výkonu a proudově příznivého tvaru zásobníku může po vypnutí z hadice uniknout malé množství vody.

Při následném suchém vysávání použijte suché filtry..

**UPOZORNĚN: Při častém střídání suchého a mokrého vysávání doporučujeme používat druhou sadu filtrů, přednostně polyesterové kazety se skládaným filtrem**



## NEPŘETRŽITÉ ČIŠTĚNÍ FILTRŮ

Vysavač je vybaven systémem elektromagnetického čištění filtrů, díky kterému je možné zachycený prach z kazet se skládaným filtrem vytřepat. Kazety se skládaným filtrem se postupně střídavě čistí, takže je zaručen nepřetržitý provoz vysavače.

## VYPRÁZDNĚNÍ ZÁSOBNÍKU

### **UPOZORNĚNÍ: Příпустné pouze u prachů s mezními hodnotami na pracovišti > 1 mg/m<sup>3</sup>**

Vypněte vysavač, vytáhněte síťovou zástrčku ze zásuvky.  
Otevřete uzávěry.  
Odejměte ze zásobníku víko a sací hadici.  
Vyprázdněte zásobník..

#### Likvidace papírového filtračního sáčku

Vytáhněte síťovou zástrčku ze zásuvky.  
Použijte ochrannou roušku na ústa.  
Odejměte sací hadici, uzavřete sací hrdlo zátkou\*.  
Otevřete boční uzávěry, sejměte horní díl.  
Přírubu opatrně stáhněte ze sacího hrdla a uzavřete ji.  
Nasátý prach zlikvidujte v souladu se zákonnými předpisy.

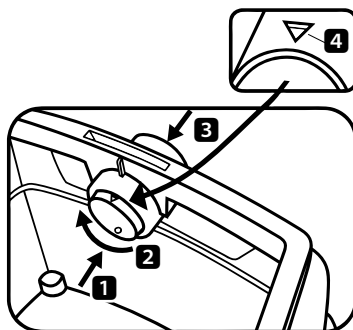
#### Likvidace polyetylenového sáčku pro vyprazdňování a likvidaci prachu

Polyetylenový sáček pro vyprazdňování a likvidaci prachu: Zapněte vysavač, vytřepete kazety se skládaným filtrem. Vypněte vysavač .  
Použijte ochrannou roušku na ústa.  
Odejměte sací hadici, uzavřete sací hrdlo zátkou\*.  
Otevřete boční uzávěry, sejměte horní díl.  
Horní díl před vypnutím nastavte do polohy spínače >IR<, aby bylo možné nasát klesající prach.  
Polyetylenový sáček pro vyprazdňování a likvidaci prachu opatrně uzavřete pomocí přiložené pásky.  
Stáhněte opatrně přírubu ze sacího hrdla a uzavřete ji  
Polyetylenový sáček pro vyprazdňování a likvidaci prachu opatrně vyjměte ze zásobníku  
Nasátý prach zlikvidujte v souladu se zákonnými předpisy.

### Použití papírového filtračního sáčku

**UPOZORNĚNÍ: Papírový filtrační sáček používejte pouze k suchému vysávání.**

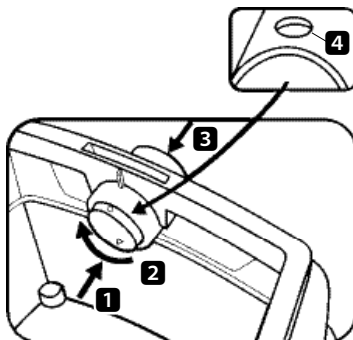
Posuňte přírubu zcela přes sací otvor  
Otočné šoupátko\* nastavte v sacím otvoru značkou **4** ▲ nahoru.  
Nasaďte horní díl na zásobník a uzavřete boční uzávěry



### Použití polyetylenového sáčku pro vyprazdňování a likvidaci prachu\*

**UPOZORNĚNÍ: Pro použití polyetylenových sáčků pro vyprazdňování a likvidaci prachu jsou vhodné pouze vysavače třídy M a H se speciálním zásobníkem a otočným šoupátkem v sacím otvoru, typu**

Otočné šoupátko\* nastavte v sacím otvoru značkou **4** ● nahoru  
Posuňte přírubu zcela přes sací hrdlo, horní otvor sáčku položte přes okraj zásobníku  
Nasaďte horní díl na zásobník a uzavřete boční uzávěry.



### **Ovládání otočného šoupátka\***

Zatlačte otočné šoupátko\* zevnitř směrem ven **1**, přetočte ho o 180° **2** (viz značka **4**) a opět ho zatlačte sacím hrdlem zvenčí směrem dovnitř **3**

## VÝMĚNA FILTRU

### Výměna skládaného filtru

Kazety se skládaným filtrem před výměnou filtrů vytřepejte.  
Mincí nebo podobným předmětem otočte uzávěr na západce o 90° proti směru hodinových ručiček a zatlačte západku směrem dozadu.  
Odklopte kryt  
Vyjmuté kazety se skládaným filtrem ihned uzavřete do prachotěsného plastového sáčku a zlikvidujte v souladu s předpisy.  
Vložte nové kazety se skládaným filtrem.  
Zvedněte uzavírací třmen, sklopte kryt a lehkým zatlačením ho zajistěte.

## Výměna ochranného filtru motoru

**UPOZORNĚN:** Je-li ochranný filtr motoru znečištěný, poukazuje to na vadné filtrační kazety.

Vyměňte kazety se skládaným filtrem.

Vyměňte ochranný filtr motoru, resp. vypláchněte ochranný filtr motoru pod tekoucí vodou, vysušte ho a opět vložte..

## **ÚDRŽBA**

**UPOZORNĚN:** Před každou údržbou vypněte vysavač a vytáhněte síťovou zástrčku ze zásuvky.

Za účelem údržby prováděné uživatelem je nutné vysavač

- demontovat,
- vyčistit a
- provést jeho údržbu,

je-li to možné tak, aniž by přítom hrozilo nebezpečí pro personál údržby a ostatní osoby

### Preventivní opatření

Součástí vhodných preventivních opatření je/ jsou

- čištění před demontáží,
- opatření pro místní filtrované nucené odvětrání, na kterém je vysavač demontován,
- čištění oblasti pro provádění údržby a
- vhodné osobní ochranné pomůcky

### Preventivní opatření u vysavačů třídy H a M

Z vnější části vysavače je třeba odsát prach a oťřít ji dočista hadříkem nebo ji opatřit těsnicími prostředky, než je možné vysavač vynést z nebezpečné oblasti. Všechny díly vysavače musejí být považovány za znečištěné, když jsou vynášeny z nebezpečné oblasti, a je třeba provést vhodná opatření, aby se zabránilo roznášení prachu.

### Znečištěné předměty

Při provádění údržbařských nebo opravářských prací musejí být zlikvidovány všechny znečištěné předměty, které nemohou být uspokojivě vyčištěny. Tyto předměty musejí být zlikvidovány v nepropustných sáčcích v souladu s platnými předpisy pro odstranění tohoto odpadu.

### Technická kontrola

Výrobce nebo vyškolená osoba musí minimálně jednou ročně provést technickou kontrolu, která se skládá například z kontroly filtrů z hlediska jejich poškození, kontroly vzduchotěsnosti vysavače a správné funkce kontrolního zařízení

## Zkouška účinnosti vysavače

**POZNÁMKA:** Dodatečně je třeba u vysavačů třídy **H** minimálně jednou ročně zkontrolovat účinnost vysavače.

V místnosti musí být k dispozici dostatečné *odvětrání L*, vrací-li se odpadní vzduch zpět do místnosti. Další pokyny najdete v národních předpisech.

Klesá-li sací výkon vysavače a nezvýší-li sací výkon ani vyčištění kazet se skládaným filtrem (za předpokladu, že je zásobník prázdný a papírový filtrační sáček vyměněný), je nutné kazety se skládaným filtrem vyměnit

## ČIŠTĚNÍ

**UPOZORNĚNÍ:** Kyseliny, aceton a rozpouštědla mohou poleptat díly vysavače.

Vyčistěte zásobník a příslušenství vodou.

Horní díl otřete vlhkým hadříkem.

Nechte zásobník a příslušenství oschnout

## OPRAVA

**NEBEZPEČÍ :** Neodborně opravené přístroje představují pro uživatele nebezpečí.

**Opravy smějí provádět pouze odborníci, např. servisní technik. Používejte pouze originální náhradní díly.**



## PŘEPRAVA

Uzavírací zátku\* vysavače vložte do sacího otvoru.



Hlava motoru musí být se zásobníkem bezpečně spojená (uzavřené uzávěry).

Příslušenství vložte do vhodného plastového sáčku a plastový sáček uzavřete, resp. uložte do přihrádky na příslušenství.

Spojte dohromady konec a začátek sací hadice.

Hadici omotejte kolem vysavače a připevněte za rukojeť.

## POMOC V PŘÍPADĚ PORUCHY

Porucha	Možná příčina	Odstranění
Pokles sacího výkonu	Filtr je znečištěný Papírový filtr je plný Zásobník je plný Hubice, trubka nebo hadice jsou ucpané	Vyčistěte filtr. Vyměňte filtr. Vyprázdněte zásobník. Vyčistěte je.
Vysavač se nespustí	Je síťová zástrčka zapojená v zásuvce? Není síť odpojená od napětí? Je síťový kabel v pořádku? Je víko správně uzavřené? Je snímač vody vypnutý? Je vysavač v pohotovostním režimu „AR“?	Nastavte spínač do polohy „I“ nebo „A“
Vysavač se při zapnutí nástroje v režimu >AC< nespustí	Je síťová zástrčka nástroje zapojená v zásuvce vysavače? Není magnetický ventil automatického spínače stlačeného vzduchu* znečištěný?	Zapojte síťovou zástrčku do zásuvky vysavače Automatický spínač stlačeného vzduchu* vypláchněte lihem
Polyetylenový sáček pro vyprazdňování a likvidaci prachu se přisává na filtry	Chybná poloha otočného šoupátka	Nastavte otočné šoupátko do polohy  ●
Vysavače třídy <b>M</b> nebo <b>H</b> : u vloženého papírového filtru se v zásobníku nachází prach	Chybná poloha otočného šoupátka	Nastavte otočné šoupátko do polohy 

Neprovádějte žádné další zásahy, ale obraťte se na centrální zákaznickou službu



## TECHNICKÉ ÚDAJE

Menovitý výkon	1400	W
Max. výkon	1600	W
Napätie	110 / 220	V~
Prúd	6,5	A
Frekvencia	50 / 60	Hz
Vzduchový prúd*	64	l / s
Podtlak*	260	hPa
Rozmery (L x H x B)	550 x 550 x 400	mm
Kábel	6	m
Pripojovací výkon na vysávačoch so zástrčkou:	H05RR-F 3G1,5	
Akustický tlak	69,0	dB(A)

### Skúšky

Elektrotechnické skúšky treba vykonať podľa predpisov na prevenciu vzniku úrazov (BGV A3) a podľa DIN VDE 0701 časť 1 a časť 3. Tieto skúšky sú potrebné podľa DIN VDE 0702 v pravidelných intervaloch a po oprave alebo po zmene.

Minimálne raz za rok musí výrobca alebo poučená osoba vykonať prachotechnickú skúšku, napr. na poškodenie filtra, tesnosť vysávača, funkciu kontrolných zariadení

### CE-Registrácia vyhlásenie

Vo výhradnej zodpovednosti vyhlasujeme, že sa výrobok zhoduje s ES smernicami a určujúcimi normami: Smernica o strojových zariadeniach 2006/42/ES so zmenami, smernica o elektromagnetickej kompatibilite 2004/108/ES so zmenami. Vysávače sú úspešne odskúšané podľa IEC/EN 60335-2-69.

Paul van Beek  
General Manager

Ruben Bernaert  
Product Manager

ITW Heger  
Industriepark  
Cardijnlaan 3  
B-8600 Diksmuide  
Belgien


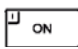
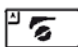



## PRED POUŽITÍM

Dávajte pozor pri vybalení na úplnosť a škody spôsobené prepravou. Pred použitím by si mali používatelia zaobstarat' informácie, pokyny a školenia pre používanie vysávača a substancií, pre ktoré sa má používať, vrátane bezpečného postupu na odstránenie zachytávaného materiálu.

## ZOBRAZOVACIE A OVLÁDACIE PRVKY

Zvoľte nasledovné funkcie a nastavenia:

0		Vysávač je vypnutý	- Zásuvka je pod napätím
I		Vysávač beží	- Zásuvka je pod napätím - Automatická vibračná funkcia je vypnutá
A		Pohotovostná prevádzka	- Zásuvka je pod napätím - Automatická vibračná funkcia je vypnutá
AC		Pohotovostná prevádzka Automatická vibračná funkcia	- Zásuvka je pod napätím - Automatická vibračná funkcia je zapnutá - Vysávače sa zapína a vypína na zástrčke cez pripojený elektrický/pneumatický nástroj*.
		Automatická vibračná funkcia	- Automatická vibračná funkcia je zapnutá; 2min
		Indikátor stavu naplnenia* ⑥	- Pri plnej nádobe a/alebo upchaniach na sacej trubici svieti indikátor stavu naplnenia. Pri vysávačoch triedy M a H zaznie navyše akustický signál.
		Regulácia otáčok * ⑦	- Sací výkon regulujete plynulo s regulátorom otáčok.
		Nastavenie priemeru sacej trubice* ⑧	- Určite maximálne hodnoty podtlaku pre automatické vibrovanie.

(\*Snnb podľa variantu vybavenia vášho vysávača)

## UVEDENIE DO PREVÁDZKY

### Zapnutie a vypnutie

**OPATRNE:** Elektrický nástroj, resp. pneumatický nástroj musí byť pri pripájaní pod napätím

Zástrčka na vysávači je pri zastrčenej sieťovej zástrčke nezávisle od polohy spínača vždy pod napätím.

**UPOZORNENIE:** V polohe spínača >0< sa môže zástrčka na vysávači použiť ako predlžovací kábel.

**Pripojovacia hodnota: Vysávač + pripojený prístroj maximálne 16 A.**

Zastrčenie zástrčky do zásuvky

<b>0</b>	Vysávač je vypnutý
<b>I</b>	Vysávač je zapnutý bez vibračnej funkcie
<b>A</b>	Vysávač je v prevádzkovej pohotovosti Prevádzková pripravenosť pre zapínanie/vypínanie automatiku. (odsávač sa zapne a vypne od elektrického náradia)
<b>AC</b>	Vysávač je v prevádzkovej pohotovosti Ppohotovostný režim ako „A“ plus automatické čistenie filtra Až pri zapnutí nástroja sa vysávač automaticky zapne. Po vypnutí prístroja beží vysávač na cca 10 s, tým sa zabráni tomu, aby zostalo zvyškové množstvo v hadici.

Vysávač nastavte na polohu spínača >0<.

Po ukončení vyťahnite sieťovú zástrčku.

Na uloženie sacej trubice zastrčením na plánované miesto na uloženie príslušenstva\* zaistíte na zadnej stene nádoby.

Konce hadice sa môžu dať dohromady, aby nevystupovali žiadne čiastočky špiny.

**OPATRNE:** Spínač predvoľby pre signál minimálneho objemového prúdu (klaksón a svietidlo) pri vysávačoch triedy „M“ a „H“

V režime >AR< a >IR< sa v závislosti od priemeru trubice uskutoční nasledovné nastavenie

Vnútorý priemer trubice	Poloha spínača
Ø 35 mm	70 m <sup>3</sup> /h
Ø 27 mm	40 m <sup>3</sup> /h
Ø 21 mm	20 m <sup>3</sup> /h

Neuskutoční sa žiadna regulácia otáčok. Vysávač beží vždy s max. otáčkami



## PREVÁDZKOVÉ REŽIMY

Pri použití rúry s úchytkou sa môže pomocou škrtiacej klapky sekundárneho vzduchu prispôsobiť sací výkon.

### Suché vysávanie

NVysávajte iba so suchým filtrom, vysávačom a príslušenstvom, aby prach nezostal prichytený a zanesený.

Keď sa vysáva sadza, cement, sadra, múka alebo podobný prach, odporúčame použiť papierové filtračné vrecko. Papierové filtračné vrecko používajte vždy v spojení so skladanými filtračnými kazetami..

### Mokrú vysávanie

**VÝSTRAHA:** Pri vychádzaní peny alebo kvapaliny vysávač ihneď vypnite. Vyprázdňte nádobu a príp. skladanú filtračnú kazetu

**UPOZORNENIE:** Senzory stavu vody (1) pravidelne čistite a skontrolujte ich na známky poškodenia.

Nevysávajte bez papierového filtračného vrecka

Skladané filtračné kazety sú vhodné na mokré vysávanie.

Zabudovaný senzor vypína motor pri plnej nádobe. Manipulácia s vysávačom môže byť ovplyvnená naplnenou nádobou.

Vyprázdnenie vysávača.

**OPATRNE:** Ak sa vysávač nevy pne, zostane ochrana proti opätovnému spusteniu naďalej účinná. Až po vypnutí a opätovnom zapnutí je vysávač znova pripravený na prevádzku.

Po vyprázdnení najprv vyberte saciu trubicu z kvapaliny.

Vďaka vysokému saciu výkonu a tvaru nádoby priaznivému pre prúdenie môže po vypnutí vytiecť z trubice trochu vody.

Pri následnom suchom vysávaní vložte suchý filter.

## PERMANENTNÉ ČISTENIE FILTRA

Vysávač je vybavený elektromagnetickým čistením filtra, s ktorým sa môže odvíbovať prichytený prach zo skladaných filtračných kaziet. Skladané filtračné kazety sa čistia striedavo po sebe, takže je zaručená kontinuálna práca.

## VYPRÁZDNIENIE NÁDOBY

**UPOZORNENIE: Je dovolené iba pri prachu so všeobecnými hraničnými hodnotami pre dýchanie > 1 mg/m<sup>3</sup>**

Vypnite vysávač, vytiahnite sieťovú zástrčku.  
Otvorte uzávery.  
Zoberte kryt a saciu trubicu z nádoby.  
Vyklopte nádobu.

### Zlikvidujte papierové filtračné vrečko

Vytiahnite sieťovú zástrčku .  
Stiahnite ochranu úst.  
Odstráňte saciu trubicu, uzatvorte sacie hrdlo so zátkou\*.  
Otvorte bočné uzávery, odoberte horný diel.  
Vytiahnite opatrne prírubu zo sacieho hrdla a uzatvorte prírubu.  
Vysávaný materiál zlikvidujte podľa zákonných ustanovení

### PE vyprázdňovacie a likvidačné vrečko zlikvidujte

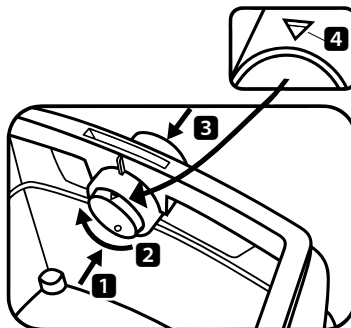
PE vyprázdňovacie a likvidačné vrečko: Zapnite vysávač, zvlhčíte skladané filtračné kazety. Vypnite vysávač  
Stiahnite ochranu úst.  
Odstráňte saciu trubicu, uzatvorte sacie hrdlo so zátkou\*.  
Otvorte bočné uzávery, odoberte horný diel.  
Horný diel pred odstavením, zapnite na polohu spínača >IR<, aby sa nasal príp. odpadnutý vznášajúci sa prach.  
PE vyprázdňovacie a likvidačné vrečko uzatvorte opatrne s priloženou uzatváracou páskou.  
Vytiahnite opatrne prírubu zo sacieho hrdla a uzatvorte ju.  
PE vyprázdňovacie a likvidačné vrečko vyberte opatrne z nádoby.  
Vysávaný materiál zlikvidujte podľa zákonných ustanovení.



## Vloženie papierového filtračného vrecka

**UPOZORNENIE: Papierové filtračné vrecko používajte iba na suché vysávanie..**

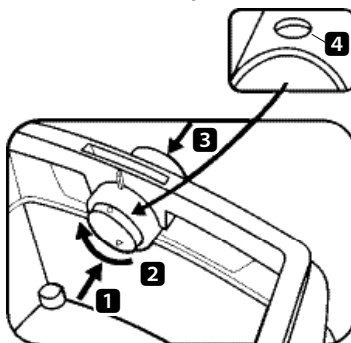
Posuňte prírubu úplne nad nasávací otvor  
Otočný posúvač\* postavte v nasávacom otvore so značkou **4**▲ smerom hore..  
Horný diel nasadte na nádobu a zatvorte bočné uzávery.



## Nasadenie PE vyprázdňovacieho a likvidačného vrecka\*

**UPOZORNENIE: Iba vysávače triedy M a H so špeciálnou nádobou a otočným posúvačom v nasávacom otvore typov AC 1630P-M sú vhodné na používanie PE vyprázdňovacích a likvidačných vrieciek.**

Otočný posúvač\* postavte v nasávacom otvore so značkou **4**● smerom hore  
Prírubu posuňte úplne nad nasávacie hrdlo, horný otvor vrecka položte nad okraj nádoby..  
Horný diel nasadte na nádobu a zatvorte bočné uzávery.



## **Obsluha otočného posúvača\***

Otočný posúvač\* zatlačte zvnútra smerom von **1** , pretočte ho o 180° **2** (pozri značku **4** ) a zatlačte ho zvonku cez sacie hrdlo znova smerom dovnútra **3**.

## **VÝMENA FILTRA**

### Výmena skladaného filtra

Skladané filtračné kazety pred výmenou filtra previbrujte.

Pomocou mince alebo podobného predmetu otočte uzáver na západke o 90° proti smeru pohybu hodinových ručičiek a západku zatlačte smerom dozadu.

Odklopte veko

Vybraté skladané filtračné kazety ihneď uzatvorte v prachotesnom plastovom vrečku a zlikvidujte ich podľa určenia.

Vložte nové skladané filtračné kazety.

Uzatvárací strmeň nadvihnite nahor, veko sklopte a zaareťujte ľahkým stlačením

## Výmena ochranného filtra motora

**UPOZORNENIE:** Ak by mal byť ochranný filter motora znečistený, poukazuje to na chybné filtračné kazety.

Skladané filtračné kazety vymeňte.

Vymeňte ochranný filter motora, resp. ochranný filter motora vymyte pod tečúcou vodou, vysušte ho a znova ho použite

## **ÚDRŽBA**

**UPOZORNENIE:** Pred každou údržbou vysávač vypnite a vytriahnite sieťovú zástrčku..

Na údržbu prostredníctvom používateľa sa musí vysávač

- rozobrať,
- vyčistiť a
- vykonať na ňom údržba

pokiaľ je to realizovateľné bez toho, aby bolo prítomné vyvolané nebezpečenstvo pre údržbový personál a iné osoby

### Preventívne opatrenia

Zahrnuté vhodné preventívne opatrenia

- Čistenie pred demontážou,
- Uskutočnenie prevencie pre miestne filtrované nútené vetranie, na ktorom sa vysávač demontuje,
- Čistenie údržbovej oblasti a
- vhodné osobné ochranné prostriedky

### Preventívne opatrenia pri vysávačoch tried H a M

Vonkajšok vysávača by sa mal vyčistiť systémom na odsávanie prachu a mal by sa vytrieť dosucha alebo by sa mal ošetriť tesniacimi prostriedkami skôr, ako ho zoberiete z nebezpečnej oblasti. Na všetky časti vysávača sa musí pozerat' ako na znečistené, keď sa vyberajú z nebezpečnej oblasti a musia sa uskutočniť vhodné manipulácie, aby sa zabránilo rozdeleniu prachu.

### Znečistené predmety

Pri realizácii údržbových a opravárenských prác sa musia zlikvidovať všetky znečistené predmety, ktoré nie je možné uspokojujúco vyčistiť. Takéto predmety sa musia zlikvidovať v nepriepustných vreckách v zhode s platnými ustanoveniami pre odstraňovanie takéhoto odpadu.

### Technická kontrola

Výrobca alebo vyškolená osoba musí minimálne raz ročne vykonať technickú kontrolu, ktorá pozostáva napríklad z kontroly filtrov na poškodenie, vzduchotesnosti vysávača a správneho fungovania kontrolného zariadenia.

SK

## Otestovanie účinnosti vysávača

**POZNÁMKA:** Navyše by sa mala pri vysávačoch triedy **H** minimálne raz za rok skontrolovať účinnosť vysávača.

V miestnosti musí byť k dispozícii dostatočná *miera výmeny vzduchu L*, ak sa odpadový vzduch vracia späť do miestnosti. Ďalšie pokyny zistíte, prosím, z vašich národných ustanovení.

Ak sací výkon vysávača vynecháva a zvyšuje sa tiež čistenie skladaných filtračných kaziet, nie je viac žiadny sací výkon (predpokladá sa, že je nádoba prázdna a papierový filtračné vrečko je vymenené), potom je potrebné vymeniť skladané filtračné kazety.

## ČISTENIE

**UPOZORNENIE:** Kyselina, acetón a rozpúšťadlá môžu naleptať časti vysávača.

Nádobu a príslušenstvo vyčistíte vodou.

Horný diel utrite vlhkou handrou.

Nádobu a príslušenstvo nechajte vysušiť

## OPRAVA

**NEBEZPEČENSTVO:** Neodborne opravované vysávače predstavujú nebezpečenstvo pre používateľa.

Opravy nechajte vykonávať iba odborníkom, napr. zákazníkemu servisu.

Používajte iba originálne náhradné diely..

## TRANSPORT

Uzatváraciu zátku\* vysávača zastrčte do sacieho otvoru.

Hlava motora musí byť s nádobou bezpečne spojená (zatvorte uzávery).

Zastrčte príslušenstvo do vhodného plastového vrečka a plastové vrečko uzatvorte, resp. ho zasuňte na plochu na uloženie nástrojov.

Koniec sacej trubice a začiatok sacej trubice zastrčte do seba, trubicu položte okolo vysávača a upnite ju na držadle.



## SAMOSTATNÁ POMOC PRI PORUCHÁCH

Porucha	Možná príčina	Odstránenie
Vynechávajúce sacieho výkonu	Filter je znečistený Papierový filter je plný Nádoba je plná Hubica, rúry alebo trubica sú upchané	Vyčistiť. Vymeniť. Vyprázdniť. Vyčistiť.
Vysávač sa nespustí	Je sieťová zástrčka v zásuvke? Je sieť bez napätia? Je sieťový kábel v poriadku? Je kryt správne zatvorený? Je senzor vody vypnutý? Je vysávač v prevádzkovej pohotovosti „AR“?	Nastavte na „I“ alebo „A“
Vysávač sa pri zapnutí nástroja v režime >AC< nespustí	Je sieťová zástrčka nástroja v zásuvke prístroja? Je magnetický ventil zapínacej automatiky stlačeného vzduchu* znečistený?	Zastrčte sieťovú zástrčku do zásuvky vysávača Zapínaciu automatiku stlačeného vzduchu* prepláchnite s alkoholom
PE vyprázdňovacie a likvidačné vrečko sa nasáva na filter	Poloha otočného posúvača je nesprávna	Otočný posúvač dajte do polohy <b>4</b> ●
Vysávače triedy <b>M</b> alebo <b>H</b> : pri vložení papierového filtra na prach v nádobe	Poloha otočného posúvača je nesprávna	Otočný posúvač dajte do polohy <b>4</b> ▲

Neuskutočňujte žiadne zásahy, ale kontaktujte centrálnu dielňu zákazníckeho servisu.



## ТЕХНИЧКИ КАРАКТЕРИСТИКИ

Номинална моќност	1400	W
Макс. моќност	1600	W
Напон	110 / 220	V~
Струја	6,5	A
Фреквенција	50 / 60	Hz
Струење воздух на издувувачот	64	l / s
Потпритисок на издувувачот	260	hPa
Димензии (д x в x ш)	550 x 550 x 400	mm
Кабел	6	m
Приклучен вод кај вмсукувачи со утичница	H05RR-F 3G1,5	
Звучен притисок	69,0	dB(A)

### Контроли

Електротехнички контроли се извршуваат според прописите од прописот за заштита од несреќи (БГВ А3) и според ДИН ВДЕ0701, Дел 1 и Дел 3. Ваквите контроли се неопходни согласно ДИН ВДЕ 0702 во редовни интервали и по поправки или измена.

Да се извршува проверка од страна на производителот по однос на техниката за смукање, на пример по однос на оштетување на филтерот, најмалку годишно. Непропустливост на апаратот, функционалност на контролните уреди.

### CE-Изјава за одобрување

Во сопствена одговорност изјавуваме, дека апаратите од типот Spit AC 1625 и AC 1630P што се наведени во оваа Изјава, одговараат на следните норми како и на условите во други документи од нормативен карактер. Во сопствена одговорност изјавуваме, дека овој производ одговара на следните норми односно нормирачки документи: EN60335-2-69.

Paul van Beek  
Управител

Ruben Bernaert  
Менаџер на  
производство

ITW Heger  
Industriepark  
Cardijnlaan 3  
B-8600 Diksmuide  
Belgien


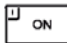

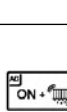
## ПРЕД УПОТРЕБА

При отпакувањето обрнете внимание на комплетноста како и на штети при транспортот.

Пред употребата корисниците треба да добијат информации, инструкции и обуки за употребата на всмукувачот и на супстанците, за коишто тој треба да биде употребуван, вклучувајќи и безбедна постапка за отстранување на насобраниот материјал.

## ЕЛЕМЕНТИ НА ПРИКАЗ И РАКУВАЊЕ

Одберете ги следните функции и поставки:

0		Всмукувач исклучен	Утичницата води напон
I		Всмукувачот работи	Утичницата води напон Автоматска функција на тресење исклучена
A		Всмукувачот работи	Утичницата води напон Автоматска функција на тресење исклучена Всмукувачот се вклучува и исклучува преку приклучен електро-алат под воздушен притисок на утичницата.
AC		Режим на приправност	Утичницата води напон Автоматска функција на тресење вклучена Всмукувачот се вклучува и исклучува преку приклучен електро-алат под воздушен притисок на утичницата.
		Автоматска функција на тресење	Автоматска функција на тресење вклучена; 2 минути
		Индикатор за полнење * ⑥	Кај полн сад и или затнувања на цревето за всмукување индикаторот за полнење трепка. Кај всмукувачи од класата M и X дополнително се јавува звучен сигнал.
		Регулација на бројот на вртежи * ⑦	Регулирајте ја моќност на всмукувањето со бестепениот реглер на бројот на вртежи.
		Нагодување на дијаметарот на цревето за всмукување * ⑧	Определувајте ги максималните вредности на потпритисок за автоматското тресење кај соодветен дијаметар на црево

\* зависно од варијантата на опременост на вашиот всмукувач



## ПУШТАЊЕ ВО РАБОТА

### Вклучување и исклучување

**ПРЕДУПРЕДУВАЊЕ:** При приклучувањето електро-алатот односно алатот под воздушен притисок мора да биде исклучен.

Утичницата на всмукувачот при вклучен утикач секогаш стои под напон, независно од позицијата на прекинувачот.

УПАТСТВО: Во позиција на прекинувач >0< утичницата на всмукувачот **може да биде употребувана како продолжен кабел.**

Приклучна вредност: всмукувач + приклучен апарат максимално 16 A

Ставете го утикачот во утичницата.

<b>0</b>	Всмукувач исклучен
<b>I</b>	Всмукувач вклучен без функција на тресење
<b>A</b>	Всмукувач на Standby Режим на подготвеност за автоматика на Вкл/Искл. (Всмукувачот се вклучува и исклучува од електро-алатот)
<b>AC</b>	Всмукувач на Standby Режим на подготвеност како „A“ плус автоматско чистење на филтер на секои 2 мин. .

Всмукувач исклучен

Всмукувач вклучен без функција на тресење

Всмукувач вклучен со автоматска функција на тресење

Всмукувач на Standby

Дури по вклучување на алатот всмукувачот автоматски вклучува.

По исклучување на алатот всмукувачот работи накнадно уште 10 секунди, со што се спречува да нема останато количество во црево.

Внатрешен дијаметар на црево	Позиција на прекинувач
Ø 35 mm	70 m <sup>3</sup> /h
Ø 27 mm	40 m <sup>3</sup> /h
Ø 21 mm	20 m <sup>3</sup> /h

Не се врши регулација на бројот на вртежи. Всмукувачот секогаш работи со максималниот број на вртежи.

## РЕЖИМИ НА РАБОТА

При употреба на цевката за држење, со шиберот за пропратен воздух може да се прилагоди моќноста на смукањето.

### Суво всмукување

Да се всмукува само со сув филтер, всмукувач и додатоци за всмукувачот да не остане залепен и да не закорави.

Кога се всмукуваат саѓи, цемент, гипс, брашно или слични прашини, ви препорачуваме употреба на хартиена филтер ќеса. Употребувајте хартиена филтер ќеса секогаш заедно со касети за набран филтер.

### Влажно всмукување

**ПРЕДУПРЕДУВАЊЕ: При излегување пена или течност веднаш исклучете го всмукувачот.**

Испразнете го садот и, по потреба, касетата за набран филтер.

**ВНИМАНИЕ:** Редовно чистете го уредот за ограничување на нивото на водата и проверувајте го во поглед на знаци на оштетување.

Всмукувајте без хартиена филтер ќеса.

Касетите за набран филтер се наменети за водено всмукување.

Вградениот сензор го исклучува моторот при полн сад.

Полн сад може да влијае негативно врз ракувањето со всмукувачот.

Испразнете го всмукувачот

**ВНИМАНИЕ: Доколку всмукувачот не се исклучи, заштитата од повторно вклучување дејствува и понатаму.**

Дури по исклучување и повторно вклучување всмукувачот е повторно подготвен за работа.

Пред празнењето најпрво извадете го цреволото за всмукување од течноста.

Преку високата моќност на всмукување и формата на садот што овозможува струење можно е, по исклучувањето да се врати малку вода од цреволото.

При следно суво всмукување употребете суви филтри.

**УПАТСТВО: При често менување меѓу суво и влажно всмукување ви препорачуваме употреба на втор комплет филтри, се претпочита полиестерни касети за набран филтер.**

МК

## ПОСТОЈАНО ЧИСТЕЊЕ ФИЛТЕР

Овој всмукувач е опремен со електро-магнетно чистење на филтерот, со што се истресува лепечката прашина од касетите за набран филтер. Касетите за набран филтер се чистат наизменично едноподруго откако ќе постигнат нагоден минимален струен волумен, со што се гарантира континуирано работење.

## ПРАЗНЕЊЕ НА САДОТ

**ВНИМАНИЕ: Дозволено само кај прабини со гранични вредности на експозиција (AGW's) > 1 mg/m<sup>3</sup>.**

Исклучете го всмукувачот, извадете го утикачот од струја.  
Отворете ги затворачите.  
Извадете го капачето и цреводо за всмукување од садот.  
Превртете го садот.

### Отстранување хартиена филтер кеса

Извлечете го утикачот од мрежа.  
Ставете заштита за уста.  
Отстранете го цреводо за всмукување, затворете го отворот за всмукување со штопна.  
Отворете ги страничните затворачи, извадете го горниот дел.  
Извлечете ја внимателно прирабницата од отворот за всмукување и затворете ја.  
Отстранете го всмуканиот материјал согласно законските одредби.

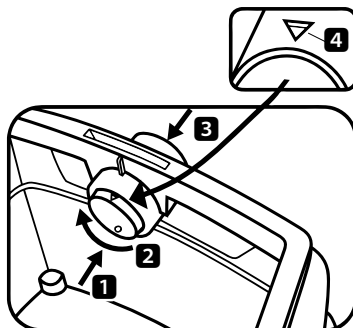
### Отстранување ПЕ кеса за празнење и отстранување

Извлечете го утикачот од мрежа.  
Кеса за празнење и отстранување од ПЕ Исклучете го всмукувачот, истресете ги касетите за набран филтер.  
Ставете заштита за уста.  
Отстранете го цреводо за всмукување, затворете го отворот за всмукување со штопна.  
Отворете ги страничните затворачи, извадете го горниот дел. Пред оставањето вклучете го горниот дел во позиција на прекинувч >A<, за да се всмука евентуалната лебдечка прашина што паѓа.  
Затворете ја кесата од ПЕ за празнење и отстранување со приложената лента за затворање.  
Извлечете ја внимателно прирабницата од отворот за всмукување и затворете ја.  
Извадете ја кесата од ПЕ за празнење и отстранување внимателно од садот.  
Отстранете го всмуканиот материјал согласно законските одредби.

## Ставање хартиена филтер кеса

**УПАТСТВО: Употребувајте хартиена филтер кеса само за суво всмукување.**

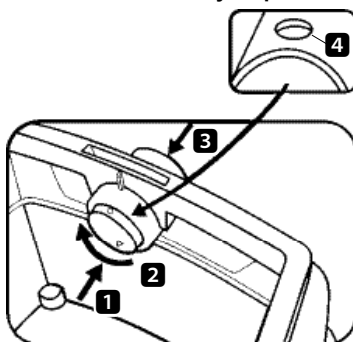
Втурнете ја прирабницата врз отворот за всмукување.  
Поставете го ротирачкиот вентил во отворот за всмукување со маркирањето **4** ▲ нагоре.  
Втурнете ја прирабницата врз отворот за всмукување.  
Ставете го горниот дел на садот и затворете ги страничните затворачи.



## Ставање кеса од ПЕ за празнење и отстранување

**УПАТСТВО: Само всмукувачите од класата „М“ и „Х“ со специјален сад и ротирачки вентил во отворот за всмукување се погодни за употреба на кеси од ПЕ за празнење и отстранување.**

Поставете го ротирачкиот вентил во отворот за всмукување со маркирањето **4** ● нагоре.  
Втурнете ја прирабницата над отворот за всмукување, поставете го горниот отвор на кесата над работ од садот.  
Ставете го горниот дел на садот и затворете ги страничните затворачи.



### **Употреба на ротирачкиот вентил:**

Притискајте го ротирачкиот вентил од внатре кон надвор **1**, завртете го 180° **2** (види маркирање **4**) и однадвор преку отворот за всмукување повторно притиснете го кон внатре **3**

## **ЗАМЕНА НА ФИЛТЕР**

### Замена на набран филтер

Истресете ги касетите за набран филтер пред замена на филтерот.  
Со паричка или сличен предмет свртете го затвораот на блок-елементот Z за 90° спротивно од насоката на стрелките на часовникот и притиснете го блок-елементот кон назад.  
Отворете го капакот.  
Извадените касети за набран филтер веднаш озатворете ги во пластична кеса што не пропушта прашина и отстранете ги согласно прописите.  
Ставете нови касети за набран филтер.  
Подигнете ја алката за затворање, спуштете го капакот и аретирајте со лесно притискање.

МК

## Замена на филтерот за заштита на моторот

**УПАТСТВО: Доколку филтерот за заштита на моторот е нечист, тоа упатува на неиспрани филтер-касети.**

Заменете ги касетите за набран филтер.

Заменете го филтерот за заштита на моторот односно измијте го филтерот за заштита на моторот

под вода, исушете го и ставете го повторно

## **ОДРЖУВАЊЕ**

УПАТСТВО: Пред секаква активност поврзана со одржување исклучете го всмукувачот и извлечете го утикачот од мрежа..

За одржување од страна на корисникот, всмукувачот мора да биде:

- демонтиран
- исчистен
- сервисиран

доколку истото е можно, без притоа да се предизвика опасност по персоналот за одржување и други лица.

### Мерки на претпазливост

Соодветните мерки на претпазливост содржат:

Чистење пред демонтажата

да се води грижа за филтрирана наметната вентилација на местото, кадешто ќе биде демонтиран всмукувачот

Чистење во подрачјето на одржување

Соодветна опрема за лична заштита

### Мерки на претпазливост кај всмукувачи од класите „X“ и „M“

Надворешноста на всмукувачот треба да биде исчистена со постапка за всмукување на прашина или да биде чисто избришана или да биде третирана со средства за затнување, пред да бидат земени од опасното подрачје. Сите делови од всмукувачот треба да се сметаат за нечисти, доколку се земаат од опасното подрачје. Мора да се преземат соодветни дејства за да се избегне пренесување на прашина

### Нечисти предмети

При извршување на работи поврзани со одржување и поправка мора да бидат отстранети сите нечисти предмети, коишто не можат да бидат исчистени доволно добро. Таквите предмети мора да бидат отстранети во непропустливи кеси во согласност со важечките одредби за отстранување таков отпад..

### Техничка проверка

Производителот или обучено лице мора да изврши техничка проверка најмалку на годишно ниво, којашто ќе се состои, на пример, од проверка на филтрите по однос на оштетување, на непропустливоста (заптиването) на воздух кај всмукувачот и на исправното функционирање на контролниот уред.



## Тестирање на ефективност на всмукувачот

**ЗАБЕЛЕШКА:** Кај всмукувачи од класата „X“ дополнително е потребно да се провери ефикасноста на всмукувачот најмалку на годишно ниво.

Во просторијата мора да постои доволен степен на размена на воздух L, кога излегувачкиот воздух се враќа во просторијата. Други упатства можете да најдете во вашите национални прописи.

Доколку се намалува учинокот во всмукувањето на всмукувачот, а чистењето на касетите за набран филтер не го зголемува учинокот на всмукувањето (под претпоставка доколку садот е празен и е извршена замена на хартиената филтер кеса), во тој случај е потребно да се изврши замена на касетите за набран филтер.

## **ЧИСТЕЊЕ**

**УПАТСТВО:** Киселина, ацетон и разредувачи можат да нагризаат делови од всмукувачот.

Исчистете ги садот и додатоците со вода.

Избришете го горниот дел со влажна крпа.

Оставете ги садот и додатоците да се исушат.

## **ПОПРАВКА**

**ОПАСНОСТ:** Нестручно поправани всмукувачи претставуваат опасност за корисникот.

**Дозволете поправките да се извршуваат само од службата за клиенти на SPIT.**

**Употребувајте само оригинални резервни делови.**

## **ТРАНСПОРТ**

Штопните за затворање на всмукувачот ставете ги во отворот за всмукување. Главата на моторот мора да е безбедно поврзана со садот (затворете ги затворачите).

Ставете го приборот во соодветни пластични кеси и затворете ги кесите односно ставете ги во депото за алат.

Краевите од цреволото за всмукување ставете ги во затворач-бајонет.

Поставете го цреволото околу всмукувачот и закачете го на рачката.

МК

## КАКО ДА СИ ПОМОГНЕТЕ САМИ ПРИ ПРЕЧКИ

Пречка	Можна причина	Отстранување
Намалување на учинокот при всмукување	Филтер нечист Хартиен филтер полн Сад полн Цевчиња, цевки или црево затнати	Исчисти Замени Испразни Исчисти
Всмукувачот не проработува	Ставен е утикачот во утичницата? Мрежата нема напон? Мрежниот кабел е во ред? Капакот е исправно затворен? Сензорот за вода е исклучен? Всмукувачот е во режим на приправност >AC<?	Ставете на >I< или >A>
Всмукувачот не проработува при вклучување на алатот во режим >AC<	Мрежниот утикач на алатот е во утичницата од апаратот? Магнетниот вентил од автоматиката за вклучување на воздухот под притисок е нечист?	Ставете го мрежниот утикач во утичницата од всмукувачот Извршете испирање со алкохол на автоматиката за вклучување на воздухот под притисок
PE-Entleer- und Entsorgungsbeutel wird an die Filter angesaugt	Позиција на ротирачки вентил погрешна	Ставете го ротирачкиот вентил на позиција <b>4</b> ●
Sauger der Klasse „M“ oder „H“: bei eingesetztem Papierfilter Staub im Behälter	Позиција на ротирачки вентил погрешна	Ставете го ротирачкиот вентил на позиција <b>4</b> ●

Не преземајте други зафати туку контактирајте ја централната работилница при службата за клиенти на SPIT.

## TEHNIČKI PODACI

Nominalna vrijednost	1400	Vat (W)
Maks. snaga	1600	Vat (W)
Napon	110 / 220	V~
Struja	6,5	A
Frekvencija	50 / 60	Herc
Protok vazduha*	64	l / s
Potpritisak*	260	hPa
Dimenzije (L x H x B)	550 x 550 x 400	mm
Kabl	6	m
Priključni vod kod usisivača sa utičnicom:	H05RR-F 3G1,5	
Nivo buke	69,0	dB(A)

### Atest

Elektrotehnički atesti je potrebno sprovesti na osnovu propisa o sprečavanju nesreće na radu (BGV A3) i u skladu sa DIN VDE 0701 dio 1 i dio 1.3. Ove kontrole su neophodne u skladu sa DIN VDE 0702 u ravnomjernih vremenskim razmacima i nakon remonta ili promjena.

Potrebno je najmanje jednom godišnje sprovesti kontrolu zaptivenosti na prašinu od strane proizvođača ili stručnog lica, npr. na oštećenja filtera, zaptivenosti usisivača, funkcionisanje kontrolnih lampica.

### CE-Registracija izjava

Na sopstvenu odgovornost izjavljujemo da je ovaj proizvod u skladu sa EZ-Uputstvima i mjerodavnim normama: Uputstvo za mašine 2006/42/EZ sa izmjenama, EMK-Uputstvo2004/108/EG sa izmjenama.. Usisivači su uspješno atestirani u skladu sa IEC/EN 60335-2-69

Paul van Beek  
General Manager  
Produktmanager

Ruben Bernaert  
Product Manager

ITW Heger  
Industriepark  
Cardijnlaan 3  
B-8600 Diksmuide  
Belgien







## PRIJE UPOTREBE

Prilikom raspakivanja obratite pažnju na cjelovitost isporuke i oštećenja prilikom transporta.

Prije upotrebe potrebno je da korisnici budu upoznati sa informacijama, instrukcijama i obukama za upotrebu usisivača i materijala, za koje će se koristiti usisivač, uključujući i bezbjedni postupak za uklanjanje usisanog materijala.

## PRIKAZNI I KOMANDNI ELEMENTI

Odaberite sljedeće funkcije i podešavanja:

0		Usisivač je isključen	- Utikač je pod naponom
I		Usisivač radi	- Utikač je pod naponom - Automatska funkcija trešenja je isključena
A		Pripravnost	- Utikač je pod naponom - Automatska funkcija trešenja je isključena
AC		Pripravnost Automatska funkcija trešenja	- Utikač je pod naponom - Automatska funkcija trešenja je uključena - Usisivač se usljed priključenog električnog uređaja ili uređaja za pneumatski vazduh* na utikač uključuje i isključuje.
		Automatska funkcija trešenja	- Automatska funkcija trešenja je uključena; 2min
		Indikator punjenja * ⑥	- Indikator punjenja svijetli kada je posuda napunjena i/ili kada je usisno crijevo zapušeno. Kod usisivača klase M i H oglašava se dodatni zvučni signal.
		Regulacija broja obrtaja * ⑦	- Pomoću regulatora broja obrtaja možete bestepeno podešavati usisnu snagu.
		Podešavanje prečnika usisnog crijeva * ⑧	- Odredite maksimalne vrijednosti potpritiska za automatsko trešenje.

(\*Snnbu zavisnosti od varijante opreme usisivača)

## PUŠTANJE U RAD

### Uključivanje i isključivanje

**OPREZ: Električni alat, odn. alat sa pneumatskim vazduhom mora prije povezivanja biti isključen**

Kada je mrežni utikač utaknut, onda je utičnica na usisivaču uvijek pod naponom nezavisno od položaja uključenosti uređaja.

**NAPOMENA: U preklopnom položaju >0< možete utičnicu na usisivaču koristiti kao produžni kabl.**

Vrijednost priključka: Usisivač + priključeni uređaj 16 A.

Utaknite utikač u utičnicu

<b>0</b>	Usisivač je isključen
<b>I</b>	Usisivač je uključen bez funkcije trešenja
<b>A</b>	Usisivač je u pripravnosti pripremljenost za automatsko uključivanje/isključivanje. (usisivač se isključuje i uključuje pomoću električnog alata)
<b>AC</b>	Usisivač je u pripravnosti pogon radne spremnosti kao „A“ plus Automatsko čišćenje filtera Usisivač se automatski uključuje, tek nakon uključivanja alata. Nakon isključivanja alata, usisivač će raditi još oko 10 sekundi, usljed čega se sprječava nagomilavanje preostale količine materijala u crijevu.

Usisivač postaviti na preklopni položaj >0<.

Nakon završetka izvucite mrežni utikač.

Za čuvanje usisne cijevi koristiti spremu za pribor\* koji se nalazi na poleđini posude. Krajevi crijeva se mogu spojiti, kako iz njih ne bi izlazile čestice prašine

**OPREZ: Prekidač za predizbor za signalizaciju minimalnog volumena protoka (akustični signal i svjetlo) kod usisivača klase „M“ i „H“**

U modusu >AR< i >IR< preduzima se u zavisnosti od prečnika crijeva sledeće podešavanje:

Unutrašnji priječnik crijeva	Položaj prekidača
Ø 35 mm	70 m <sup>3</sup> /h
Ø 27 mm	40 m <sup>3</sup> /h
Ø 21 mm	20 m <sup>3</sup> /h

Neće uslijediti regulacija broja obrtaja. Usisivač radi uvijek sa maksimalnim brojem obrtaja.



## NAČIN RADA

Kod korišćenja rukohvata cijevi može se podešavati usisna snaga pomjeranjem klizne pločice za podešavanje sporednog vazduha.

### Suvo usisavanje

Usisavati samo sa suvim filterom, usisivačem i priborom, kako bi se spriječilo hvatanje i stvrdnjavanje prašine.

Ako usisavate gar, gips, brašno ili sličnu prašinu, onda Vam preporučujemo papirnu vreću filtera. Papirnu vreću filtera koristiti uvijek zajedno sa naboranim filtrima

### Mokro usisavanje

**UPOZORENJE: Kod izlaženja pjene ili tečnosti odmah isključite usisivač. Ispraznite posudu i po potrebi naborani filter.**

**NAPOMENA: Senzore nivoa vode (1) redovno čistiti i kontrolisati da li postoje naznake oštećenja..**

Usisavanje bez papirne vreće filtera.

Umeći naborenog filtera namjenjeni su za mokro usisavanje.

Ugrađeni senzor isključuje motor kada je posuda napunjena. Korišćenje usisivača sa punom posudom može uticati na rad usisivača.

Ispraznite usisivač

**OPREZ: Ako se usisivač ne isključi, zaštita od ponovnog pokretanja će ostati aktivna. Usisivač je spreman za rad tek nakon isključivanja i ponovnog uključivanja**

Pije pražnjenja potrebno je najprije izvaditi usisno crijevo iz tečnosti.

Usljed visoke usisne snage i oblika posude koja pogoduje protoku vazduha, moguće je da nakon isključivanja iz crijeva iscuri voda.

Ako nastavite sa suvim usisavanjem, onda umetnite suve filtre.

**NAPOMENA: Ukoliko se često smjenjuju mokro i suvo usisavanje, preporučujemo korišćenje drugog umetka filtera, prije svega umetke naboranog filtera od poliestera.**

## STALNO ČIŠĆENJE FILTERA

Usisivač je opremljen elektromagnetskim sistemom za čišćenje filtera, pomoću kojeg se čisti (trese) nataložena prašina sa umetaka naboranih filtera.

Umetci naboranih filtera se čiste naizmjenično jedan za drugim, na taj način je garantovan kontinuirani rad.

## PRAŽNENJE POSUDE

**NAPOMENA: Dozvoljeno samo za prašinu sa graničnim radnim vrijednostima > 1 mg/m<sup>3</sup>**

sključite usisivač, izvucite mrežni utikač.

Otvorite zatvarače.

Skinite poklopac i usisno crijevo sa posude.

Prevrnite posudu

Uklonite papirnu vreću filtera

Izvucite mrežni utikač

Stavite zaštitnu masku na usta.

Skinite usisno crijevo, zatvorite priključak za usisno crijevo pomoću čepa\*.

Otvorite bočne zatvarače, skinite gornji dio.

Pažljivo skinite prirubnicu sa usisnog priključka i zatvorite prirubnicu.

Uklonite usisane materijale u skladu sa zakonskim propisima

Uklonite PE-vreću za pražnjenje i uklanjanje.

PE-vreća za pražnjenje i uklanjanje: Uključite usisivač, otesite naborani filter.

Isključite usisivač.

Stavite zaštitnu masku na usta.

Skinite usisno crijevo, zatvorite priključak za usisno crijevo pomoću čepa\*.

Otvorite bočne zatvarače, skinite gornji dio.

Gornji dio, pre odlaganja, postaviti na položaj >IR<, kako bi eventualna prašina koja pada mogla biti usisana.

PE-vreću za pražnjenje i uklanjanje pažljivo zatvoriti pomoću trake za zatvaranje koja Vam se nalazi pri ruci.

Pažljivo skinite prirubnicu sa usisnog priključka i zatvorite prirubnicu.

Izvucite pažljivo PE-vreću za pražnjenje i uklanjanje iz posude.

Uklonite usisane materijale u skladu sa zakonskim propisima.



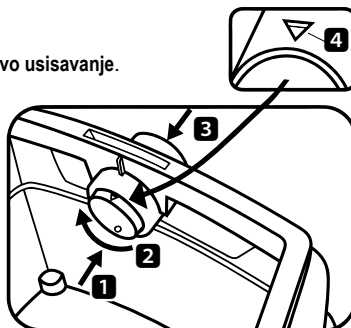
### Stavljanje papirne vreće filtera

**NAPOMENA:** Papirnu vreću filtera koristiti samo za suvo usisavanje.

Obrtni klizač\* u usisnom otvoru sa oznakom **4** ▲ postaviti prema gore.

Potpuno pomjerite prirubnicu preko usisnog otvora

Gornji dio postavite na posudu i zatvorite bočne zatvarače.



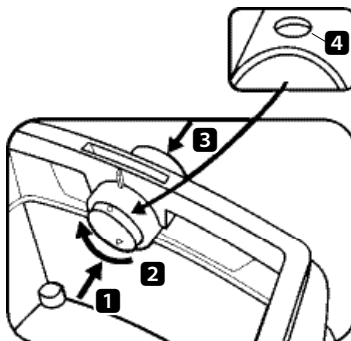
### Stavite PE-vreću za pražnjenje i uklanjanje\*

**NAPOMENA:**Samo usisivači klase M i H sa specijalnim posudama i obrtnim klizačem u usisnom otvoru tipa AC1630P-M namjenjeni su za korišćenje PE-vreće za pražnjenje i uklanjanje.

Obrtni klizač\* u usisnom otvoru sa oznakom **4** ● postaviti prema gore.

Potpuno pomjerite prirubnicu preko usisnog priključka, gornji otvor vreće postavite preko ivice posude..

Gornji dio postavite na posudu i zatvorite bočne zatvarače..



### Korišćenje obrtnog klizača\*

Obrtni klizač\* pritisnuti sa unutrašnje strane prema spolja **1**, okrenuti za 180° **2** (vidi oznaku **4** ) i sa spoljne strane kroz usisni priključak pritisnuti prema unutra. **3**

## ZAMJENA FILTERA

### Zamjena naboranog filtera

Prije zamjene filtera potrebno je naborani filter otresti.

Novčićem ili sličnim predmetom okrenuti zatvarač kod zasovnice za 90° u smjeru suprotnom od kretanja kazaljki na časovniku i zasovnicu pritisnuti prema unutra.

Podignite poklopac

Izvađene naborane filtre odmah staviti u plastičnu vreću koja ne propušta prašinu i propisno je ukloniti.

Umetnite nove umetke naboranog filtera.

Podignite obroč zasovnice, spustite poklopac i pričvrstite ga laganim pritiskanjem



## Zamjena filtera za zaštitu motora

**NAPOMENA: Ukoliko je filter za zaštitu motora isprljan, onda to ukazuje na neispravne umetke filtera.**

Izvršite zamjenu umetaka naboranog filtera.

Zamjenite filter za zaštitu motora, odn. isperite ga tekućom vodom, osušite i ponovo ga vratite..

## **ODRŽAVANJE**

**NAPOMENA: Prije svakog održavanja isključite usisivač i izvucite mrežni utikač..**

Za održavanje je potrebno da korisnik usisivač

- rastavi,
- očisti i
- i održavan

ukoliko je to moguće, bez da pri tom dođe do ugrožavanja osoblja koje vrši održavanje ili drugih lica.

### Mjere predostrožnosti

Pridržavati se namjenskim mjerama predostrožnosti

- Čišćenje mre demontaže,
- priprema ventilacije koja je prisutna na dotičnom mjestu, na kome se vrši demontaža usisivača,
- čišćenje mjesta gdje se vrši održavanje i
- namjenska oprema za ličnu zaštitu.

### Mjere predostrožnosti za usisivače klase H i M

Prije dislociranja iz opasne zone, spoljašnost usisivača treba sa biti čista, usisavanjem i brisanjem, ili je potrebno koristiti sredstva koja ne propuštaju prašinu. Sve djelove usisivača je potrebno smatrati prljavim, kada dolaze iz opasne zone, i potrebno je preduzeti određene radnje, kako bi se izbjeglo širenje prašine

### Priljavi predmeti

Kod radova oko održavanja i popravki potrebno je ukloniti sve priljave predmete, koji se ne mogu očistiti na zadovoljavajući način. Takve predmete je potrebno ukloniti u vrećama u skladu sa odredbama za uklanjanje ovakve vrste otpada.

### Tehnička kontrola

Proizvođač ili stručno lice mora najmanje jednom godišnje da izvrši tehničku kontrolu, koja se npr. sastoj od kontrole filtera na oštećenja, vazdušne zaptivenosti usisivača i ispravnog funkcionisanja kontrolnog sistema.



## Testiranje efikasnosti usisivača

**APOMENA:** Kod usisivača klase **H** je potrebno dodatno kontrolisati efikasnost usisivača najmanje jednom godišnje.

Potrebno je da u prostoriji bude prisutna odgovarajuća *vrijednost razmjene vazduha L*, kada se otpadni vazduh vraća u prostoriju. Ostala uputstva možete naći u Vašim nacionalnim odredbama.

Ukoliko usisna snaga usisivača popusti a ni nakon čišćenja naboranih filtera ne dođe do povećanja snage (pod uslovom da je posuda prazna a papirna vreća filtera zamjenjena), onda je potrebno izvršiti zamjenu naboranih filtera

## ČIŠĆENJE

**NAPOMENA:** Kiseline, aceton ili rastvarači mogu agresivno uticati na usisne djelove.

Posudu i pribor očistiti vodom.  
Gornji dio obrišite vlažnom krpom.  
Ostavite da se posuda i pribor osuše



## POPRAVKA

**OPASNOST:** Nestručno popravljeni usisivač predstavlja opasnost za korisnika. Popravke smiju izvoditi samo stručna lica, kao npr. servisna služba. Koristiti samo originalne rezervne djelove.

## TRANSPORT

Čep za zatvaranje\* usisivača postavite u usisni otvor.  
Glava motora mora biti sigurno pričvršćena sa posudom (zatvorite zatvarač).  
Stavite pribor u odgovarajuću plastičnu vrećicu i zatvorite je, odn. stavite ga u spremu za alat.  
Spojite kraj i početak usisnog crijeva.  
Postavite i pričvrstite crijevo oko usisivača .

## SMETNJE KOJE KORISNIK MOŽE SAM OTKLONITI

Smetnja	Mogući uzroci	Otklanjanje
Smanjena usisna snaga	Prijav filter Papirni filter je napunjen Posuda je napunjena Mlaznica, cijev ili crijevo su zapušeni.	Očistiti. Zamijeniti. Isprazniti. Očistiti.
Usisivač ne radi	Mrežni utikač u utičnici? Nema napona u mreži? Mrežni kabl neispravan? Poklopac nije ispravno zatvoren? Senzor za vodu je isključen? Usisivač je u režimu pripravnosti „AR“?	Postaviti na „I“ ili „A“
Usisivač ne radi pri uključivanju alata u modusu >AC<.	Mrežni utikač za alat nije utaknut u utičnicu za uređaje? Magnetni ventil uključne automatike za vazduh pod pritiskom je zaprljan?	Utaknite mrežni utikač u utičnicu na usisivaču Uključnu automatiku za vazduh pod pritiskom* isprati alkoholom
PE-vreća za pražnjenje i uklanjanje se usisava i pranja uz filtre	Pozicija obrtnog klizača je pogrešna	Postavite obrtni klizač na poziciju 
Usisivači klase M ili H: kod umetnutog papirnog filtera ima prašine u posudi	Pozicija obrtnog klizača je pogrešna	Postavite obrtni klizač na poziciju 

Nemojte preduzimati nikakve dalje zahvate, već pozovite centralni servis kupaca



## TEHNIČKI PODACI

Nazivna snaga	1400	W
Maksimalna snaga	1600	W
Napon	110 / 220	V~
Struja	6,5	A
Frekvencija	50 / 60	Hz
Strujanje zraka*	64	l / s
Podtlak*	260	hPa
Dimenzije (L x H x B)	550 x 550 x 400	mm
Kabel	6	m
Priključni vod kod usisivača s utičnicom.	H05RR-F 3G1,5	
Zvučni tlak	69,0	dB(A)

### Ispitivanja

Elektroteknička ispitivanja provode se prema propisima sprječavanja nezgoda (BGV A3) i prema DIN VDE 0701 dio 1 i dio 3. Ovakva su ispitivanja potrebna prema DIN VDE 0702 redovita i prema popravku ili izmjeni.

Najmanje jednom godišnje proizvođač ili ovlaštena osoba mora provesti ispitivanje prašine, na primjer na oštećenja filtera, propusnost usisivača, funkciju kontrolnog dijela

### CE-Registracija izjavu

Na vlastitu odgovornost izjavljujemo da ovaj proizvod odgovara smjernicama Europske zajednice te mjerodavnim normama: Smjernica za strojeve 2006/42/EG s izmjenama, EMV smjernica 2004/108/EG s izmjenama. Usisivači uspješno su ispitani prema IEC/ EN 60335-2-69.

Paul van Beek  
General Manager

Ruben Bernaert  
Product Manager


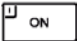


ITW Heger  
Industriepark  
Cardijnlaan 3  
B-8600 Diksmuide  
Belgien

## PRIJE KORIŠTENJA

Prilikom razmatavanja pripazite na potpunost i oštećenja od transporta. Prije korištenja korisnici moraju biti opskrbljeni informacijama, uputama i edukacijom za korištenje usisivača te o tvarima za koje će se primjenjivati uključujući sigurnog postupka uklanjanja usisanog materijala.

## ELEMENTI PRIKAZA I RUKOVANJA

Odaberite sljedeće funkcije i postavke:

0		Usisivač isključen	- Utičnica pod naponom
I		Usisivač uključen	- Utičnica pod naponom - Isključena automatska funkcija trešnje
A		Pogon pripravnosti	- Utičnica pod naponom - Isključena automatska funkcija trešnje
AC		Pogon pripravnosti Automatska funkcija trešnje	- Utičnica pod naponom - Uključena automatska funkcija trešnje - Usisivač uključuje i isključuje na utičnici se preko priključenog električnog alata i alata komprimiranog zraka*
		Automatska funkcija trešnje	- Uključena automatska funkcija trešnje; 2min
		Prikaz punjenja * ⑥	- Kod pune posude i/ili začepljenosti na usisnom crijevu upali se lampica prikaza punjenja. Kod usisivača klase M i H dodatno se može čuti akustični signal.
		Regulacija broja okretaja * ⑦	- Regulirajte pomoću regulatora broja okretaja usisni učinak neprekidno.
		Reguliranje promjera usisnog crijeva * ⑧	- Odredite maksimalne vrijednosti podtlaka za automatsku trešnju.

(\*Snnbovisno o varijanti opreme Vašeg usisivača)

## PUŠTANJE U POGON

### Uključivanje i isključivanje

**OPREZ: Električni alat odnosno alat komprimiranog zraka prilikom uključjenja moraju biti isključeni**

Utičnica na usisivaču uvijek je, neovisno o položaju prekidača, kod uključene mrežne utičnice pod naponom.

**UPUTA: Kod položaja prekidača >0<, utičnica na usisivaču može se koristiti kao produžni kabel.**

**Priključna vrijednost: Usisivač + priključen uređaj najviše 16 A..**

Utikač staviti u utičnicu

<b>0</b>	Usisivač isključen
<b>I</b>	Usisivač uključen bez funkcije trešnje
<b>A</b>	Usisivač na standby pogonska spremnost za automatiku uključivanja/ isključivanja. (Usisivač uključuje i isključuje električni alat)
<b>AC</b>	Usisivač na standby pogon radne spremnosti kao „A“ plus Automatsko čišćen-je filtra Prilikom uključivanja alata, usisivač se automatski uključuje. Nakon isključivanja alata usisivač i dalje radi cca. 10 sekundi, na taj se način izbjegava višak količine u crijevu.

Uključivač postaviti na položaj prekidača >0<

Nakon završetka povucite mrežnu utičnicu.

Za pohranjivanje usisne cijevi fiksirajte ga umetanjem u pripadajuće spremište za pribor\* na poledini posude.

Krajevi crijeva mogu se spojiti kako ne bi iz njih ispadala prljaština.

**OPREZ: Utikač predbiranja za signal struje s najmanjim volumenom (truba i lampa) kod usisivača klase „M“ i „H“**

U modusu >AR< i >IR< ovisno o promjeru crijeva izvršavaju se sljedeće postavke::

Unutarnji promjer crijeva	Položaj prekidača
Ø 35 mm	70 m <sup>3</sup> /h
Ø 27 mm	40 m <sup>3</sup> /h
Ø 21 mm	20 m <sup>3</sup> /h

Nije izvršena regulacija broja okretaja. Usisivač uvijek se pali s maksimalnim brojem okretaja..

## Vrste pogona

Kod primjene cijevi ručke, usisni se učinak može prilagoditi pomoću kliznika sporednog zraka

### Suho usisavanje

-

Isključivo usisavati sa suhim filterom, usisivačem i priborom kako se prašina ne bi zalijepila i skorila.

Prilikom usisavanja čađe, gipsa, brašna ili sličnih prašina preporučamo primjenu papirne filter vrećice. Papirne filter vrećice uvijek koristiti u kombinaciji s kasetama za nabrani filter..

### **Mokro usisavanje**

-

**UPOZORENJE: Ukoliko iz usisivača izlazi pjena ili tekućina, odmah isključite usisivač.**

**Isprazniti posude i prema potrebi kasete za nabrani filter.**

**UPUTA: Senzore razine vode (1) redovito očistite i pregledajte da li imaju naznake oštećenja**

Usisavati bez papirnih filter vrećica.

Kasete za nabrani filter prikladne su za mokro usisavanje.

Ugrađeni senzor isključuje motor kada se napuni posuda. Rukovanje usisivačem može imati utjecaja zbog popunjene posude.

Pražnjenje usisivača.

**UPUTA: koliko se usisivač ne isključi, zaštita ponovnog pokretanja ostaje u funkciji. Tek nakon isključenja i ponovnog uključivanja je usisivač ponovo spreman za pogon**

Prije pražnjenja prvo izvucite usisno crijevo iz tekućine.

Zbog visokog usisnog učinka i oblika posude pogodne za strujenje, nakon isključenja moguće je da će se malo vode vratiti u crijevo.

Kod suhog usisavanja poslije toga umetnite suhe filtere.

**UPUTA: Kod česte izmjene između suhog i mokrog usisavanja preporučamo umetanje drugog seta filtera, najbolje kasete za poliestar nabrani filter**

## PERMANENTNO ČIŠĆENJE FILTERA

Usisivač može biti opremljen elektromagnetskim čišćenjem filtera pomoću kojega je moguća trešnja prilijepljene prašine na kasetama za nabrani filter.

Kasete za nabrani filter naizmjenice se čiste jedna nakon druge kako bi se osigurao kontinuirani rad.

## PRAŽNENJE POSUDE

**UPUTA: Dozvoljeno samo kod prašina s graničnim vrijednostima na radnom mjestu > 1 mg/m<sup>3</sup>**

Isključite usisivač, povucite mrežnu utičnicu  
Otvorite zatvarače.  
Uklonite poklopac i usisno crijevo od posude.  
Ispraznite posudu.

Uklonite papirnate filter vrećice

Iskopčajte mrežnu utičnicu  
Navucite zaštitnu masku.  
Uklonite usisno crijevo, zatvorite usisne oslonke s čepovima\*  
Otvorite bočne zatvarače, skinite gornji dio.  
Prirubnicu oprezno skinite s usisnog oslonka i zatvorite prirubnicu.  
Bacite usisano smeće sukladno zakonskim odredbama.

Uklonite PE vrećicu za pražnjenje i uklanjanje

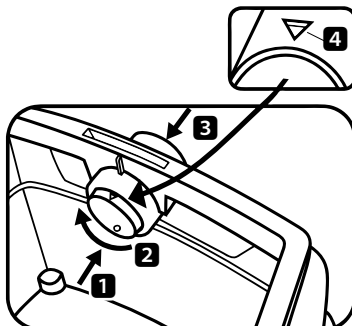
PE vrećica za pražnjenje i uklanjanje: Uključite usisivač, tresite kasete za nabrani filter.  
Isključite usisivač.  
Navucite zaštitnu masku.  
Uklonite usisno crijevo, zatvorite usisne oslonke s čepovima\*  
Otvorite bočne zatvarače, skinite gornji dio.  
Gornji dio prije isključivanja uključite na položaj prekidača >IR< kako bi se usisala prašina koja eventualno nastaje.  
Oprezno zatvorite PE vrećicu za pražnjenje i uklanjanje pomoću priložene trake za zatvaranje.  
Prirubnicu oprezno skinite s usisnog oslonka i zatvorite.  
Oprezno izvadite iz posude PE vrećicu za pražnjenje i uklanjanje  
Bacite usisano smeće sukladno zakonskim odredbama



Stavite papirnate filter vrećice

**UPUTA: Papirnate filter vrećice isključivo koristiti za suho usisavanje.**

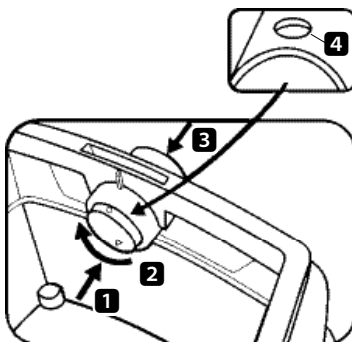
Okretni kliznik\* u otvoru za usisavanje postavite s oznakom **4** ▲ prema gore..  
Prirubnicu potpuno navucite preko otvora za usisavanje.  
Stavite gornji dio na posudu i zatvorite bočne zatvarače.



Umetnite PE vrećicu za pražnjenje i uklanjanje\*

**UPUTA: Samo usisivači klase M i H sa specijalnim posudama i okretnim kliznikom u otvoru za usisavanje tipa AC 1630 P-M prikladni su za primjenu PE vrećica za pražnjenje i uklanjanj.**

Okretni kliznik\* u otvoru za usisavanje postavite s oznakom **4** ● prema gore  
Prirubnicu potpuno navucite preko otvora za usisavanje, gornji otvor vrećice stavite preko ruba posude..  
Stavite gornji dio na posudu i zatvorite bočne zatvarače.



**Bedienung des Drehschiebers:**

Okretni kliznik\* pritisnite s nutarnje strane prema van **1**, okrenite za 180° **2** (vidi oznaku **4**) te ponovo s vanjske strane pritisnite prema unutra pomoću usisnog oslonka **3**

## IZMIJENITE FILTER

Izmijenite nabrani filter

Primje izmjene filtera protresite kasete za nabrani filter.  
Zatvor na zaporu pomoću novčanice ili sličnog predmeta okrenite 90° suprotno od kazaljke sata i pritisnite zapor prema natrag.  
Otvorite haubu  
Izvađene kasete za nabrani filter odmah zatvorite u plastičnu vrećicu otpornoj na prašinu te uklonite prema propisima.  
Stavite nove kasete za nabrani filter.  
Podignite držak brave, spustite haubu i zatvorite ju laganim pritiskom.

## Izmijenite filter za zaštitu motora

**UPUTA: Ukoliko je filter za zaštitu motora prljav, znak je defektne kasete za nabrani filter.**

Zamijenite kasete za nabrani filter.

Zamijenite filter za zaštitu motora odnosno isperite filter za zaštitu motora ispod tekuće vode, osušite ga i ponovo ga stavite

## **ODRŽAVANJE**

**UPUTA: Prije svakog održavanja isključite usisivač i izvucite iz mrežne utičnice**

Korisnik mora za održavanje

- rastaviti usisivač,
- očistiti ga i
- održavati

ukoliko je to moguće bez opasnosti za osoblje održavanja i druge osobe..

### Mjere opreza

Prikladne mjere opreza sadržavaju

- čišćenje prije razmontiranja,
- donošenje odluka za mjesno filtrirano prisilno odzračivanje na koje se usisivač demontira,
- čišćenje područja održavanja i
- prikladna osobna zaštitna oprema.

### Mjere opreza kod usisivača klase H i M

Vanjski dio usisivača čisti se također usisivačem i krpom ili sredstvom za brtvljenje i to prije oduzimanja i opasnog područja. Svi usisani elementi moraju se tretirati kao onečišćeni čim napuste opasno područje te je potrebno poduzeti prikladne radnje za izbjegavanje prašine..

### Onečišćeni predmeti

Prilikom radova održavanja i popravaka, svi se onečišćeni predmeti koji ne mogu u zadovoljavajućim mjerama biti očišćeni moraju ukloniti. Takvi se predmeti uklanjaju u nepropusnim vrećicama sukladno važećim propisima za odklanjanje otpada ove vrste.

### Tehničko ispitivanje

Proizvođač ili educirana osoba moraju najmanje jednom godišnje proizvesti tehničko ispitivanje kojim se na primjer ispituje filter na oštećenja, propusnost zraka usisivača ili ispravna funkcija kontrolnog dijela.

## Ispitivanje djelotvornosti usisivača

**NAPOMENA:** Dodatno bi se kod usisivača klase **H** jednom godišnje trebalo provesti ispitivanje djelotvornosti usisivača.

Mora postojati dovoljna *razina izmjene zraka L* u prostoru kada se ozdrazni zrak vraća u prostoriju. Molimo držite se daljnjih uputa prema Vašim nacionalnim odredbama.

Ukoliko djelotvornost usisivača oslabi ili se poveća čišćenje kasete za nabrani filter odnosno nema više usisnog učinka (kada je posuda prazna te je paprinata filter vrećica izmijenjena) potrebno je zamijeniti kasete za nabrani filter

## ČIŠĆENJE

**UPUTA: Kiselina, aceton i otapala mogu izgristi dijelove usisivača.**

- Posudu i pribor očistite vodom.
- Gornji dio pobrišite vlažnom krpom.
- Ostavite da se osuši posuda i pribor

## POPRAVAK

**OPASNOST: Usisivači koji nisu stručno popravljani predstavljaju opasnost za korisnika.**

Popravke moraju izvršavati isključivo stručnjaci, na primjer servis. Koristite samo originalne rezervne dijelove

## TRANSPORT

Čep zatvarača\* usisivača stavite u usisni otvor.

Glava motora mora biti dobro povezana s posudom (zatvoriti zatvarače).

Pribor stavite u prikladne plastične vrećice i zatim zatvorite plastične vrećice odnosno stavite ih u depot alata.

Kraj usisnog crijeva i početak usisnog crijeva spojite.

Crijevo stavite oko usisivača i utisnite na ručci

## SAMOPOMOĆ KOD SMETNJI

Smetnja	Mogući uzrok	Uklanjanje
Smanjen usisni učinak	Filter prijav Papirnati filter pun Posuda puna Sapnica, cijevi ili crijevo zaštopani	Čišćenje. Izmijeniti. Isprazniti. Čišćenje.
Usisivač se ne pokrenuti	Mrežna utičnica u utičnici? Mreža bez napona? Mrežni kabel u redu? Poklopac dobro zatvoren? Senzor vode isključen? Usisivač u pogonu pripravnosti „AR“?	Staviti na „I“ ili „A“
Usisivač se ne pokreće prilikom uključivanja alata u modusu >AC<	Mrežna utičnica alata u utičnici uređaja? Magnetni ventil automatike uključivanja komprimiranog zraka* prijav?	Mrežnu utičnicu gurnuti u utičnicu usisivača Automatiku uključivanja komprimiranog zraka* isprati alkoholom
PE vrećica za pražnjenje i uklanjanje prilijepi se na filter	Pozicija okretnog kliznika neispravna	Okretni kliznik postaviti na poziciju <b>4</b> ●
Usisivači klase M ili H: kod postavljenog papirnato filtera prašina u posudi	Pozicija okretnog kliznika neispravna	Okretni kliznik postaviti na poziciju <b>4</b> ▲

Ne poduzimajte nikakve daljnje intervencije nego kontaktirajte centralni servis..

## TEHNIČNI PODATKI

Nazivna moč	1400	W
Največja moč	1600	W
Napetost	110 / 220	V~
Trenutni	6,5	A
Frekvenca	50 / 60	Hz
Pretok zraka*	64	l / s
Podtlak*	260	hPa
Dimenzije (L x H x B)	550 x 550 x 400	mm
Cable	6	m
Napajalni kabel pri sesalnikih z vtičnico:	H05RR-F 3G1,5	
Tlak zvoka	69,0	dB(A)

### Preizkusi

Elektrotehnične preizkuse je treba opraviti po predpisih za preprečevanje nesreč (BGV A3) in po standardu DIN VDE 0701, 1. in 3. del. Te preizkuse je treba po standardu DIN VDE 0702 opravljati redno in po vsakem popravilu ali spremembi. Proizvajalec ali ustrezno usposobljena oseba mora najmanj enkrat letno opraviti tehnični pregled za prah, ki ga sestavljajo na primer preverjanje poškodovanosti filtra, zrakotesnosti sesalnika in pravilnega delovanja krmilne priprave

### CE-Registracija Izjava

Na svojo odgovornost izjavljamo, da je ta izdelek skladen z direktivami ES in zadevnimi standardi: Direktiva o strojih 2006/42/ES s spremembami, Direktiva o elektromagnetni združljivosti 2004/108/ES s spremembami

Sesalniki so bili uspešno preizkušeni po standardu IEC/EN 60335–2–69.

Paul van Beek  
General Manager

Ruben Bernaert  
Product Manager

ITW Heger  
Industriepark  
Cardijnlaan 3  
B-8600 Diksmuide  
Belgien

SL


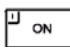
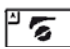

## PRED UPORABO

Pri odstranjevanju embalaže preverite, ali so priloženi vsi potrebni deli in ali je paket nepoškodovan.

Pred uporabo je treba uporabnikom priskrbeti informacije, navodila in izobraževanje v zvezi z uporabo sesalnika ter snovi, za katere se bo uporabljal, vključno z varnim postopkom za odstranjevanje zbranega materiala. .

## ELEMENTI ZA PRIKAZ IN UPRAVLJANJE

Izberite naslednje funkcije in nastavitve:

0		Sesalnik je izključen	- Vtičnica je pod napetostjo
I		Sesalnik deluje	- Vtičnica je pod napetostjo - Samodejna vibracijska funkcija je izključena
A		Pripravljenost	- Vtičnica je pod napetostjo - Samodejna vibracijska funkcija je izključena
AC		Pripravljenost Samodejna vibracijska funkcija	- Vtičnica je pod napetostjo - Samodejna vibracijska funkcija je vključena - Sesalnik se vključi ali izključi z orodjem na električno ali stisnjen zrak, ki je priključeno na vtičnico.
		Samodejna vibracijska funkcija	- Samodejna vibracijska funkcija je vključena; 2min
		Prikaz polne posode* ⑥	- Ko je posoda polna in/ali če se zamaši sesalna cev, zasveti lučka. Pri sesalnikih razreda <b>M</b> ali <b>H</b> se oglasi še zvočni signal.
		Regulacija vrtljajev * ⑦	- Z regulacijo vrtljajev lahko brezstopenjsko nastavljate moč sesanja.
		Nastavitev premera sesalne cevi* ⑧	- Določite maksimalne vrednosti podtlaka za samodejno vibracijsko funkcijo.

(\*Snnb odvisno od različice opreme sesalnika)

Vklop in izklop

**POZOR : Orodje na električno ali stisnjen zrak mora biti ob priključitvi izključeno**

Vtičnica na sesalniku je pri vključenem napajalnem vtiču vedno pod napetostjo, ne glede na položaj stikala.

**Ko je stikalo v položaju >0<, lahko vtičnico na sesalniku uporabljate kot podaljšek.**

**Priključna vrednost: Sesalnik + priključena naprava največ 16 A**

Vtič vtaknite v vtičnico

<b>0</b>	Sesalnik je izključen
<b>I</b>	Vključen sesalnik brez vibracijske funkcije
<b>A</b>	Sesalnik v pripravljenosti pripravljenost za samodejni vklop/izklop. (Električno orodje vklopi in izklopi sesalnik)
<b>AC</b>	Sesalnik v pripravljenosti pripravljeno obratovanje kot »A« s samodejnim čiščenjem filtra. Sesalnik se samodejno vključi šele ob vklopu orodja. Po izklopu orodja ostane sesalnik vključen še približno 10 sekund, kar preprečuje, da bi v cevi ostali ostanki.

Stikalo sesalnika preklopite v položaj >0<.

Po koncu izvlecite omrežni vtič.

Sesalno cev shranite tako, da jo vtaknete v za to predvideno mesto za shranjevanje opreme\* na zadnji strani posode.

Konce cevi lahko sestavite, da iz njih ne uhajajo delci umazanije

**POZOR : Stikalo za predizbiro signala za najmanjši potreben volumski pretok (hupa in lučka) pri sesalnikih razredov „M“ in „H“**

V načinih >AC< in >A< je treba odvisno od premera cevi nastaviti naslednje:

Notranji premer cevi	Položaj stikala
Ø 35 mm	70 m³/h
Ø 27 mm	40 m³/h
Ø 21 mm	20 m³/h

Regulacija števila vrtljajev ne deluje. Sesalnik vedno deluje z največjimi mogočimi vrtljaji.



## NAČINI DELOVANJA

V primeru uporabe ročaja lahko moč sesanja nastavite z drsnikom za pomožni zrak

### **Suho sesanje**

Sesajte samo s suhim filtrom, sesalnikom in opremo, da se prah ne oprime in ustvari skorje.

Kadar sesate saje, cement, mavec, moko in podobne vrste prahu, priporočamo, da uporabite papirnato filtrsko vrečko. Papirnato filtrsko vrečko vedno uporabljajte v kombinaciji s kasetami z nagubanim filtrom.

### **Mokro sesanje**

**OPOZORILO : Če iz sesalnika začne uhajati pena ali tekočina, ga takoj izključite. Izpraznite posodo, po potrebi pa tudi kaseto z nagubanim filtrom**

**OPOMBA : Redno čistite tipala ravni vode (1) in jih pregledujte, ali kažejo znake poškodb..**

Sesanje brez papirnate filtrske vrečke.

Kasete z nagubanim filtrom so primerne za vlažno sesanje.

Vgrajeno tipalo izključi motor, ko je posoda polna. Napolnjena posoda lahko vpliva na uporabo sesalnika.

Izpraznite sesalnik

**POZOR : Če sesalnika ne izključite, ostane vključena zaščita pred ponovnim zagonom. Sesalnik je pripravljen na ponovno uporabo šele po tem, ko ga izključite in znova vključite.**

Pred praznjenjem najprej vzemite sesalno cev iz tekočine.

Visoka sesalna zmogljivost in oblika posode, ki je ugodna za pretok, lahko povzroči, da po izklopu nekaj vode izteče iz cevi.

Pri naknadnem suhem sesanju vstavite suhe filtre

**OPOMBA : Pri pogosti menjavi med suhim in mokrim sesanjem priporočamo, da uporabite drugi komplet filtrov, po možnosti kaseti z nagubanim poliestrskim filtrom.**



## TRAJNO ČIŠČENJE FILTROV

Sesalnik je opremljen z elektromagnetnim čiščenjem filtra, ki prah, ki se prime kaset z nagubanim filtrom, odstrani s tresenjem.

Kaseti z nagubanim filtrom se očistijo izmenično zaporedoma, tako da je zagotovljeno neprekinjeno delo

## PRAZNJENJE POSODE

**Opomba :To je dovoljeno samo za vrste prahu z vrednostjo AGW > 1 mg/m<sup>3</sup>.**

Izključite sesalnik in izvlecite omrežni vtič.

- Odprite zapirala.
- S posode odstranite pokrov in sesalno cev.
- Iztesite posodo..

### Odstranjevanje papirnate filtrske vrečke

Izvlecite omrežni vtič .

Nadenite si zaščito za usta.

Odstranite sesalno cev, sesalni nastavek zamašite s čepom\*.

Odprite stranska zapirala, snemite zgornji del.

Prirobnico previdno potegnite s sesalnega nastavka in jo zaprite.

Posesani material odstranite skladno z zakonskimi zahtevami.

### Odstranjevanje PE-vrečke za praznjenje in odstranjevanje

PE-vrečka za praznjenje in odstranjevanje: Vključite sesalnik, stresite kaseti z nagubanim filtrom. Izključite sesalnik

Nadenite si zaščito za usta.

Odstranite sesalno cev, sesalni nastavek zamašite s čepom\*.

Odprite stranska zapirala, snemite zgornji del.

Zgornji del pred ustavitvijo preklopite v položaj stikala >R<, da se vsega morebitni plavajoči prah.

PE-vrečko za praznjenje in odstranjevanje previdno zaprite s priloženim zapiralnim trakom.

Prirobnico previdno potegnite s sesalnega nastavka in jo zaprite

PE-vrečko za praznjenje in odstranjevanje previdno vzemite iz posode

Posesani material odstranite skladno z zakonskimi zahtevami.

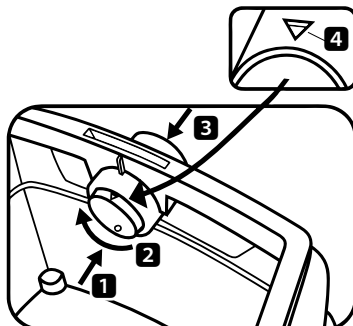
### Vstavljanje papirnate filtrske vrečke

#### **OPOMBA : Papirnatu filtrsko vrečko uporabljajte samo za suho sesanje**

Vrtljivi drsnik\* postavite v sesalno odprtino z oznako **4** ▲ navzgor.

Prirobnico potisnite do konca preko sesalne odprtine

Zgornji del postavite na posodo in zaprite stranska zapirala..



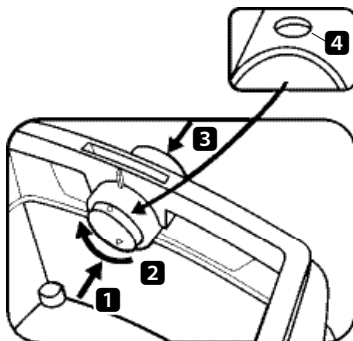
### Vstavljanje PE-vrečke za praznjenje in odstranjevanje\*

#### **OPOMBA: Za uporabo PE-vrečk za praznjenje in odstranjevanje so primerni samo sesalniki razredov M in H s posebno posodo in vrtljivim drsnikom v sesalni odprtini, tipi AC 1630P-M.**

Vrtljivi drsnik\* postavite v sesalno odprtino z oznako **4** ● navzgor.

Prirobnico potisnite do konca preko sesalnega nastavka, zgornjo odprtino vrečke postavite preko roba posode..

Zgornji del postavite na posodo in zaprite stranska zapirala..



#### **Bedienung des Drehschiebers:**

Vrtljivi drsnik\* potisnite od znotraj navzven **1**, obrnite za 180° **2** (glejte oznako **4**) in ga znova potisnite navznoter od zunaj skozi sesalni nastavek **3**

## **ZAMENJAVA FILTRA**

### Zamenjava nagubanega filtra

Kaseti z nagubanim filtrom pred menjavo pretresite.

S kovancem ali podobnim predmetom pritisnite zapiralo na zapahu za 90° nasproti smeri urnega kazalca in potisnite zapah nazaj.

Odprite pokrov

Odstranjeni kaseti z nagubanim filtrom takoj zaprite v prahotesno vrečko iz umetne mase in jih odstranite skladno s predpisi.

Vstavite novi kaseti z nagubanim filtrom.

Dvignite jarem za zapiranje, spustite pokrov in ga zaskočite z rahlim pritiskom

## Zamenjava zaščitnega filtra za motor

**OPOMBA: Če je zaščitni filter za motor onesnažen, to opozarja na pokvarjene filterske kasete.**

Zamenjajte kaseti z nagubanim filtrom.

Zamenjajte zaščitni filter za motor oziroma ga izperite pod tekočo vodo, ga posušite in znova vstavite

## **VZDRŽEVANJE**

**OPOMBA: Pred vsakim vzdrževanjem izključite sesalnik in izvlecite omrežni vtič..**

Za vzdrževanje s strani uporabnika je treba sesalnik

- razstaviti,
- očistiti in
- vzdrževati,

tako da pri tem ne povzročamo nevarnosti za vzdrževalno osebje in druge osebe..

### Previdnostni ukrepi

Upošteвайте primerne previdnostne ukrepe

- Čiščenje pred razstavljanjem
- Poskrbite za primerno prisilno odzračevanje za prostor, kjer se sesalnik razstavlja
- Očistite vzdrževalno območje
- Primerna osebna zaščitna oprema

### Previdnostni ukrepi pri sesalnikih razredov „M“ in „H“

Zunanost sesalnika je treba očistiti z odsesavanjem prahu in obrisati do čistega ali pa obdelati s tesnilnimi sredstvi, preden ga vzamete iz nevarnega območja. Vse dele sesalnika je treba obravnavati kot onesnažene, ko jih vzamete iz nevarnega območja, poleg tega pa morate opraviti ustrezne ukrepe, da preprečite širjenje prahu.

### Onesnaženi predmeti

Pri izvajanju vzdrževalnih del in popravil morate odstraniti vse onesnažene predmete, ki jih ni mogoče zadovoljivo očistiti. Takšne predmete morate zavreči v neprepustnih vrečkah, ki so skladne z veljavnimi določili za odstranjevanje takšnih odpadkov

### Tehnično preverjanje

Proizvajalec ali ustrezno usposobljena oseba mora najmanj enkrat letno opraviti tehnični pregled, ki ga sestavljajo na primer preverjanje poškodovanosti filtra, zrakotesnosti sesalnika in pravilnega delovanja krmilne priprave.

## Preizkus učinkovitosti sesalnika

**OPOMBA:** Dodatno je treba pri sesalnikih razreda **H** najmanj enkrat letno preizkusiti učinkovitost sesalnika.

Če se odpadni zrak vrača v prostor, mora biti za prostor zagotovljena dovolj velika *izmenjava zraka L*. Druge napotke najdete v nacionalnih določilih.

Če moč sesanja sesalnika popušča in se povečuje stopnja čiščenja kaset z nagubanim filtrom, ki moči sesanja ne poveča bistveno (pod pogojem, da je posoda prazna in je papirnata filtrska vrečka zamenjana), je treba zamenjati kasete z nagubanim filtrom

## ČIŠČENJE

**OPOMBA:** Kisline, aceton in topila lahko povzročijo razjede na delih sesalnika.

Posodo in opremo očistite z vodo.

Zgornji del obrišite z vlažno krpo.

Posodo in opremo pustite, da se suši.

## 1.1 Popravilo

**NEVARNOST:** Nestrokovno popravljene sesalniki predstavljajo nevarnost za uporabnika.

**Popravila prepustite izključno strokovnjakom, na primer službi za pomoč strankam. Uporabljajte samo originalne nadomestne dele**

## PREVOZ

Zapiralni čep\* sesalnika vtaknite v sesalno odprtino.



Glava motorja mora biti zanesljivo povezana s posodo (zaprite zapirala).

Opremo vstavite v primerne vrečke iz umetne mase, ki jih zaprite oziroma vtaknite v prostor za orodje.

Sestavite konca sesalne cevi.

Cev položite okoli sesalnika in zataknite za ročaj

## SAMOPOMOČ V PRIMERU MOTENJ

Motnja	Mogoči vzrok	Odpravljanje
Popuščanje moči sesanja	Zamazani filter Papirnati filter je poln Posoda je polna Šoba, cev ali gibka cev so zamašeni	Očistite Zamenjajte Izpraznite Očistite
Sesalnik ne steče	Je vtič v vtičnici? Je prisotna omrežna napetost? Je napajalni kabel brezhiben? Je pokrov pravilno zaprt? Je tipalo za vodo izključeno? Je sesalnik v pripravljenosti v načinu „AR“?	Preklopite v način „I“ ali „A“
Sesalnik ne steče ob vklopu orodja v načinu >AC<	Je omrežni vtič orodja v vtičnici naprave? Je magnetni ventil vklopne avtomatike za stisnjen zrak* onesnažen?	Omrežni vtič vtaknite v vtičnico sesalnika Vklonno avtomatiko za stisnjen zrak sperite z alkoholom*
PE-vrečka za praznjenje in odstranjevanje se je prisesala na filtre	Napačen položaj vrtljivega drsnika	Vrtljivi drsnik preklopite v položaj 
Sesalnik razreda M ali H: pri vstavljenem papirnatem filtru prah v posodi	Napačen položaj vrtljivega drsnika	Vrtljivi drsnik preklopite v položaj 

Ne opravite nobenih dodatnih ukrepov, namesto tega se obrnite na delavnico osrednje službe za pomoč strankam.

## ТЕХНИЧЕСКИЕ ХАРАКТЕРИСТИКИ

Номинальная мощность	1400	Герц
Макс. мощность	1600	Герц
Напряжение	110 / 220	Вольт~
Ток	6,5	А
Частота	50 / 60	Герц
Поток воздуха*	64	л / с
Разрежение*	260	гПа/МВ
Размеры (L x H x B)	550 x 550 x 400	мм
Кабель	6	м
Соединительный провод для пылесосов с розеткой:	H05RR-F 3G1,5	
Акустическая нагрузка	69,0	дБ (А)

### Испытания

Электротехнические испытания проводятся в соответствии с положением о предупреждении несчастных случаев (BGV A3) и в соответствии с директивами DIN VDE 0701 Часть 1 и Часть 3. Данные испытания, в соответствии с директивами DIN VDE 0702, необходимо проводить регулярно, а также после каждой наладки (ремонта) или после внесения изменений.

У производителя или у специалиста, прошедшего соответствующее обучение необходимо проводить техническую проверку не реже одного раза в год напр., на наличие повреждений фильтров, на герметичность пылесоса, на работоспособность контрольных устройств

### CE-Регистрация заявления

Со всей ответственностью мы заявляем, что настоящий продукт соответствует нормам и основным положениям Европейского Сообщества (ЕС): нормам по механике 2006/42/EG с изменениями; нормам по электромагнитной совместимости 2004/108/EG с изменениями

Пылесосы успешно прошли проверку в соответствии с требованиями IEC/EN 60335-2-69.

Paul van Beek  
General Manager

Ruben Bernaert  
Product Manager

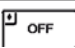

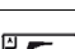

ITW Heger  
Industriepark  
Cardijnlaan 3  
B-8600 Diksmuide  
Belgien

## ПЕРЕД ЭКСПЛУАТАЦИЕЙ

При распаковке прибора обратите внимание на комплектность и наличие повреждений, возникших вследствие транспортировки.  
Перед началом эксплуатации пользователь должен быть проинформирован и проинструктирован по использованию пылесоса и в отношении веществ, для которых может быть использован пылесос, включая надежные способы устранения абсорбированных материалов

## ИНДИКАТОРЫ И КНОПКИ УПРАВЛЕНИЯ

Вы можете выбрать следующие функции и режимы:

0		пылесос выключен	- Розетка находится под напряжением
I		пылесос работает	- Розетка находится под напряжением - Функция автоматической виброочистки фильтров отключена
A		режим готовности	- Розетка находится под напряжением - Функция автоматической виброочистки фильтров отключена
AC		режим готовности Автоматическая виброочистка фильтров	- Розетка находится под напряжением - Функция автоматической виброочистки фильтров включена - через подключенный в розетку пылесоса электроинструмент / пневматический инструмент пылесос включается и выключается вместе с ним
		Автоматическая виброочистка фильтров	- Функция автоматической виброочистки фильтров включена; 2min
		индикатор наполнения * ⑥	- индикатор загорается, когда контейнер полностью заполнен и/или засорен всасывающий шланг. У пылесосов класса M и H дополнительно звучит звуковой сигнал
		Регулятор числа оборотов * ⑦	- Позволяет плавно регулировать мощность всасывания.
		Установка диаметра всасывающего шланга * ⑧	- Определите максимальный показатель нижнего давления для автоматической виброочистки фильтров.

(\*зависит от комплектации Вашего пылесоса)



## ВВОД В ЭКСПЛУАТАЦИЮ

### Включение и выключение

**ОСТОРОЖНО! Электроинструмент или пневматический инструмент в момент подключения всегда должен быть выключен**

Розетка на пылесосе при вставленной штепсельной вилке всегда находится под напряжением, независимо от положения выключателя.

**УКАЗАНИЕ: При положении выключателя >0< розетка на пылесосе может быть использована в качестве удлинителя.**

**Сила тока при подключении: пылесос + подключенный электроинструмент мкс. 16 А.**

Вставьте штекер в розетку

<b>0</b>	Пылесос выключен
<b>I</b>	Пылесос включен без функции виброочистки
<b>A</b>	Пылесос находится в режиме готовности (Standby) автоматическая система Вкл./Выкл. пылесоса (Пылесос включается/выключается подсоединенным к нему электроинструментом)
<b>AC</b>	Пылесос находится в режиме готовности (Standby) Автоматический режим в комбинации с автоматической очисткой фильтра При включении инструмента пылесос включается автоматически. После выключения инструмента пылесос продолжает работать прим. 10 секунд, что позволяет избежать скапливания остатков (пыли) в шланге.

Установите выключатель в положение >0<.

Вытащите сетевой штепсель.

Для сохранности зафиксируйте всасывающий шланг в специальном месте хранения принадлежностей на задней стенке контейнера.

Концы шланга можно соединить, чтобы избежать высыпания из шланга мусора

**ОСТОРОЖНО! Переключатель предварительной установки для сигнала минимального объемного расхода (акустический сигнал и лампочка) в пылесосах классов «М» и «Н»**

В режимах >AR< и >A<, в зависимости от диаметра шланга необходимо выполнить следующие установки

Внутренний диаметр шланга	Позиция переключателя
Ø 35 mm	70 м³/час
Ø 27 mm	40 м³/час
Ø 21 mm	20 м³/час

Регулирование числа оборотов не осуществляется. Пылесос постоянно работает на максимальном количестве оборотов.



## ВИДЫ ЭКСПЛУАТАЦИИ

При использовании трубки-держателя мощность всасывания можно регулировать за счет задвижки для впуска добавочного воздуха.

### Сухая уборка

-

Для сухой уборки используйте только пылесосы, фильтры и принадлежности, предназначенные для сухой уборки, чтобы избежать прилипания и затвердения пыли

Если пылесос используется для уборки сажи, цемента, гипса, муки или аналогичных видов пыли, рекомендуется использовать бумажный фильтр-мешок.

Бумажный фильтр-мешок должен всегда использоваться только с кассетным фильтром.

### Влажная уборка

-

**ВНИМАНИЕ:** Сразу выключите пылесос, если из него начинает выливаться жидкость или пена.

Очистите контейнер и, при необходимости, складчатый кассетный фильтр.

**УКАЗАНИЕ:** Регулярно очищайте датчик уровня воды (1) и проверяйте на наличие повреждений

Пылесос используется без бумажного фильтр-мешка.

Для влажной уборки предназначен складчатый кассетный фильтр. При полном заполнении контейнера встроенный датчик выключает мотор. Полный контейнер может негативно повлиять на работу пылесоса.

Очистите пылесос.

**ОСТОРОЖНО!** Пока пылесос не выключен, будет включена блокировка перезапуска. Только после выключения и повторного включения пылесос снова готов к работе

Перед очисткой пылесоса необходимо сначала вынуть всасывающий шланг из жидкости.

Из-за высокой мощности всасывания и обтекаемой формы контейнера из шланга после выключения пылесоса может вылиться небольшое количество воды.

При завершающей сухой уборке используйте фильтры для сухой уборки.

**УКАЗАНИЕ:** При частой смене сухой и влажной уборки рекомендуется использовать для замены второй комплект фильтров, предпочтительно, складчатые кассетные фильтры из полиэстера.

RUS

## НЕПРЕРЫВНАЯ ОЧИСТКА ФИЛЬТРОВ

Пылесос оснащен системой электромагнитной очистки фильтров, позволяющей очищать складчатый кассетный фильтр от налипшей пыли.

Складчатые кассетные фильтры чистятся попеременно, что позволяет обеспечить непрерывную работу.

### Очистка контейнера

**УКАЗАНИЕ: Допускается только для пыли с предельным показателем концентрации вредных веществ  $> 1\text{ мг/м}^3$ .**

Выключите пылесос из сети.

Откройте защелки.

Снимите с контейнера крышку и выньте шланг.

Очистите контейнер от содержимого.

### Утилизация бумажного фильтр-мешка

Выключите пылесос из сети

Наденьте респиратор.

Вытащите всасывающий шланг, закройте всасывающий штуцер заглушкой\*

Откройте боковые замки, снимите верхнюю часть.

Аккуратно снимите фланец с всасывающего штуцера и закройте его.

Утилизируйте содержимое фильтр-мешка в соответствии с законодательными нормами

### Утилизация полиэтиленового фильтр-мешка

Полиэтиленовый фильтр-мешок: включите пылесос, очистите складчатый кассетный фильтр. Выключите пылесос

Наденьте респиратор.

Вытащите всасывающий шланг, закройте всасывающий штуцер заглушкой\*.

Откройте боковые замки, снимите верхнюю часть.

Прежде чем снимать верхнюю часть, установите переключатель в позицию >IR<, чтобы всосать возможную оставшуюся крупную пыль.

Аккуратно закройте полиэтиленовый фильтр-мешок защитной лентой (прилагается в комплекте).

Аккуратно снимите фланец с всасывающего штуцера и закройте его.

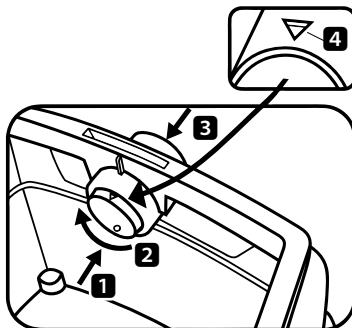
Аккуратно выньте полиэтиленовый фильтр-мешок из контейнера.

Утилизируйте содержимое мешка в соответствии с законодательными нормами.

### Замена бумажного мешка.

**УКАЗАНИЕ:** Бумажный фильтр-мешок используйте только для сухой уборки.

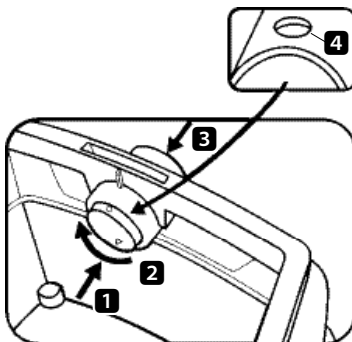
Установите задвижку во всасывающем отверстии в вертикальное положение **4** ▲. Полностью сдвиньте фланец через всасывающее отверстие. Поставьте на место верхнюю часть и закройте боковые замки.



Поставьте на место верхнюю часть и закройте боковые замки.

**УКАЗАНИЕ :** Для использования полиэтиленового фильтр-мешка подходят только пылесосы классов М и Н, имеющие специальный контейнер и поворотную заслонку во всасывающем отверстии, типов АС 1630 Р-М

Установите задвижку во всасывающем отверстии в вертикальное положение • Полностью сдвиньте фланец через всасывающее отверстие, разместите верхнее отверстие мешка по краю контейнера.. Поставьте на место верхнюю часть и закройте боковые замки.



### **Bedienung des Drehschiebers:**

Надавите на заслонку изнутри **1**, поверните на 180 ° **2**, а затем надавите снаружи **4**, через всасывающий штуцер, чтобы поставить ее на место **3**

## **ЗАМЕНА ФИЛЬТРОВ.**

### Замена складчатого фильтра

Перед заменой складчатого фильтра очистите складчатый кассетный фильтр. При помощи монеты или аналогичного предмета поверните замок на задвижке на 90 ° против часовой стрелки и надавите на задвижку.

Откройте крышку.

Вынутый складчатый кассетный фильтр сразу же поместите в пыленепроницаемый пластиковый мешок и утилизируйте согласно законодательным нормам.

Вставьте новый складчатый кассетный фильтр.

Поднимите фиксаторы задвижки, опустите крышку и легким нажатием зафиксируйте ее.

RUS

Замена фильтра защиты мотора.

**УКАЗАНИЕ: Если фильтр защиты мотора загрязнен, это указывает на поврежденный кассетный фильтр.**

Замените складчатый кассетный фильтр.

Замените фильтр защиты мотора или промойте защитный фильтр мотора под проточной водой, высушите и поставьте на место

## **ТЕХНИЧЕСКОЕ ОБСЛУЖИВАНИЕ.**

**УКАЗАНИЕ: Перед каждым техническим обслуживанием необходимо выключить пылесос и вытащить вилку из розетки**

Для технического обслуживания пользователем пылесос необходимо

- разобрать
- почистить,
- Провести техническое обслуживание

если это возможно осуществить не вызывая опасности для обслуживающего персонала и иных лиц.

Меры предосторожности.

Надлежащие меры предосторожности включают в себя

- чистку перед демонтажем,
- заблаговременную подготовку принудительной вентиляции в том месте, где будет демонтироваться пылесос,
- уборку места проведения технического обслуживания и
- соответствующие личные средства защиты

Меры предосторожности для пылесосов класса Н и М.

Прежде чем забрать пылесос из опасной среды, его поверхность необходимо очистить, вымыть или обработать герметиком. Все части пылесоса должны рассматриваться как загрязненные. Необходимо предпринять соответствующие мероприятия для предотвращения распространения пыли.

Загрязненные предметы

При проведении работ по техническому обслуживанию или ремонту все загрязненные предметы, которые невозможно очистить до удовлетворительного состояния, должны быть утилизированы. Такие предметы должны утилизироваться в герметичных мешках в соответствии с действующими нормами по утилизации таких отходов.

Технический контроль

Производитель или человек, прошедший специальное обучение, должен не реже одного раза в год осуществлять техническую проверку, состоящую, например, из проверки фильтров на повреждения, проверки герметичности пылесоса и проверки правильности функционирования контрольных устройств.

## Проверка эффективности пылесоса

**ПРИМЕЧАНИЕ:** Дополнительно в пылесосах класса H необходимо не реже одного раза в год проводить проверку эффективности. В помещении должна быть достаточная кратность воздухообмена L, если отработанный воздух возвращается в помещение. Прочие указания содержатся в Ваших национальных предписаниях.

Если мощность всасывания пылесоса снижается, а очистка складчатого кассетного фильтра не увеличивает ее (при условии, что контейнер пуст, а бумажный мешок заменен), то необходимо заменить складчатый кассетный фильтр .

## ОЧИСТКА

**УКАЗАНИЕ:** Кислоты, ацетон и растворители могут разъесть части пылесоса.

Промойте контейнер и принадлежности водой.  
Протрите верхнюю часть влажной тряпкой.  
Высушите контейнер и принадлежности

## РЕМОНТ

**ОПАСНО:** Неквалифицированно отремонтированный пылесос представляет опасность для пользователя.

Ремонт должен производиться только специалистами, напр., в сервисных центрах. Используйте только оригинальные запчасти..

## ТРАНСПОРТИРОВКА

Вставьте стопор замка\* пылесоса во всасывающее отверстие.  
Голова мотора должна быть надежно скреплена с контейнером (закройте замки).  
Уберите принадлежности в соответствующий пластиковый мешок и закройте его или уберите в специальное место для хранения инструментов.  
Соедините концы всасывающего шланга.  
Положите шланг вокруг пылесоса и прикрепите к рукоятке



## САМОСТОЯТЕЛЬНОЕ УСТРАНЕНИЕ НЕИСПРАВНОСТЕЙ

Неполадка	Возможная причина	Устранение
Уменьшение мощности всасывания	Загрязнен фильтр Бумажный мешок заполнен Контейнер заполнен Насадка, трубка или шланг забились	Очистите фильтр Замените бумажный мешок. Очистите контейнер Очистите
Пылесос не включается	Вилка в розетке? Есть напряжение в сети? Сетевой кабель в порядке? Крышка правильно закрыта? Датчик воды выключен? Пылесос в режиме готовности «AR»?	Переставьте на «I» или «A»
Пылесос не включается при включении инструмента в режиме >AC<	Сетевой штепсель инструмента находится в розетке пылесоса? Загрязнен электромагнитный клапан автоматики включения сжатого воздуха*?	Вставьте сетевой штепсель прибора в розетку пылесоса Промойте электромагнитный клапан автоматики включения сжатого воздуха* спиртом
Полиэтиленовый мешок прилипает к фильтру	Выбрана неправильная позиция поворотной заслонки	Поставьте поворотную заслонку в позицию <b>4</b> ●
Пылесосы класса M или H: при замененном бумажном фильтре пыль в контейнере	Выбрана неправильная позиция поворотной заслонки	Поставьте поворотную заслонку в позицию <b>4</b> ▲ stellen

Не предпринимайте никаких других действий, обращайтесь в центральный сервисный центр

## ΤΕΧΝΙΚΑ ΧΑΡΑΚΤΗΡΙΣΤΙΚΑ

Ονομαστική ισχύς	1400	W
Μέγιστη ισχύς	1600	W
Τάση	110 / 220	V~
Τρέχουσες	6,5	A
Συχνότητα	50 / 60	Hz
Ροή αέρα*	64	l / s
Υποπίεση*	260	hPa
Διαστάσεις (L x H x B)	550 x 550 x 400	mm
Καλώδιο	6	m
Καλώδιο σύνδεσης για αναρροφητήρες με υποδοχή ρεύματος:	H05RR-F 3G1,5	
Ηχητική πίεση	69,0	dB(A)

### Έλεγχοι

Οι ηλεκτροτεχνικοί έλεγχοι πρέπει να διενεργούνται σύμφωνα με τις προδιαγραφές του κανονισμού πρόληψης ατυχημάτων (BGV A3) και σύμφωνα με το πρότυπο DIN VDE 0701 Μέρος 1 και Μέρος 3. Οι έλεγχοι αυτοί πρέπει να διενεργούνται σύμφωνα με το πρότυπο DIN VDE 0702 σε τακτικά διαστήματα και είναι απαραίτητοι μετά από επισκευή ή τροποποίηση της συσκευής.

Πρέπει να διενεργείται τεχνικός έλεγχος που αφορά τη σκόνη από τον κατασκευαστή ή από ένα εκπαιδευμένο άτομο τουλάχιστον μία φορά το χρόνο, π. χ. ως προς τη φθορά του φίλτρου, τη στεγανότητα του αναρροφητήρα, τη λειτουργία των διατάξεων ελέγχου.

### CE-Καταχώρησης δήλωσης

Δηλώνουμε με αποκλειστική μας ευθύνη ότι το παρόν προϊόν συμμορφώνεται προς τις Οδηγίες της ΕΚ και τα σχετικά πρότυπα: Οδηγία 2006/42/ΕΚ περί μηχανών με τις τροποποιήσεις της, Οδηγία 2004/108/ΕΚ για την ΗΜΣ με τις τροποποιήσεις της. Οι αναρροφητήρες έχουν υποβληθεί σε έλεγχο με επιτυχία σύμφωνα με το πρότυπο IEC/EN 60335-2-69

Paul van Beek  
General Manager

Ruben Bernaert  
Product Manager

ITW Heger  
Industriepark  
Cardijnlaan 3  
B-8600 Diksmuide  
Belgien

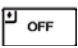
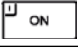

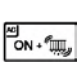
EL

## ΠΡΙΝ ΑΠΟ ΤΗ ΧΡΗΣΗ

Κατά τη αφαίρεση της συσκευασίας ελέγξτε τη συσκευή ως προς αρτιότητα της και ως προς την ύπαρξη φθορών που ενδεχομένως προκλήθηκαν κατά τη μεταφορά. Πριν από τη χρήση οι χρήστες πρέπει να ενημερωθούν και να εκπαιδευτούν πάνω στη χρήση του αναρροφητήρα και των ουσιών για τις οποίες μπορεί να χρησιμοποιηθεί. Επιπλέον πρέπει να ενημερωθούν και να εκπαιδευτούν πάνω στην ασφαλή διαδικασία απόρριψης του συλλεγόμενου υλικού.

## ΣΤΟΙΧΕΙΑ ΕΝΔΕΙΞΩΝ ΚΑΙ ΧΕΙΡΙΣΜΟΥ

Επιλέξτε μεταξύ των παρακάτω λειτουργιών και ρυθμίσεων:

0		Αναρροφητήρας εκτός λειτουργίας	- Η υποδοχή ρεύματος φέρει τάση
I		Αναρροφητήρας σε λειτουργία	- Η υποδοχή ρεύματος φέρει τάση - Αυτόματη λειτουργία δόνησης απενεργοποιημένη
A		Λειτουργία ετοιμότητας	- Η υποδοχή ρεύματος φέρει τάση - Αυτόματη λειτουργία δόνησης απενεργοποιημένη
AC		Λειτουργία ετοιμότητας Αυτόματη λειτουργία δόνησης	- Η υποδοχή ρεύματος φέρει τάση - Αυτόματη λειτουργία δόνησης ενεργοποιημένη - Ο αναρροφητήρας ενεργοποιείται και απενεργοποιείται μέσω του συνδεδεμένου ηλεκτρικού/πνευματικού εργαλείου*.
		Αυτόματη λειτουργία δόνησης	- Αυτόματη λειτουργία δόνησης ενεργοποιημένη; 2min
		Ένδειξη πληρότητας * ⑥	- Όταν ο κάδος γεμίσει και/ή φράξει ο εύκαμπτος σωλήνας αναρρόφησης, ανάβει η ένδειξη πληρότητας. Στους αναρροφητήρες των κατηγοριών M και H ηχεί επιπλέον ένας προειδοποιητικός τόνος.
		Ρύθμιση αριθμού στροφών * ⑦	- Ρυθμίστε ελεύθερα, χωρίς διαβαθμίσεις, την ισχύ αναρρόφησης με το ρυθμιστή αριθμού στροφών.
		Ρύθμιση της διαμέτρου του εύκαμπτου σωλήνα αναρρόφησης * ⑧	- Ορίστε τις μέγιστες τιμές υποπίεσης για την αυτόματη δόνηση.

(\*Σημειώστε με το μοντέλο του αναρροφητήρα σας)



## ΕΝΑΡΞΗ ΛΕΙΤΟΥΡΓΙΑΣ

Ενεργοποίηση και απενεργοποίηση

**ΠΡΟΣΟΧΗ:** Το ηλεκτρικό ή το πνευματικό εργαλείο πρέπει να είναι απενεργοποιημένα κατά τη σύνδεση της συσκευής στο δίκτυο.

Η υποδοχή ρεύματος του αναρροφητήρα φέρει πάντα τάση, εφόσον το βύσμα είναι συνδεδεμένο, ανεξάρτητα από τη θέση του διακόπτη.

**ΥΠΟΔΕΙΞΗ:** Στη θέση διακόπτη >0< η υποδοχή ρεύματος του αναρροφητήρα μπορεί να χρησιμοποιηθεί ως καλώδιο επέκτασης.

**Τιμή σύνδεσης:** Αναρροφητήρας + συνδεδεμένη συσκευή έως 16 A.

Εισαγάγετε το βύσμα στην υποδοχή ρεύματος

<b>0</b>	Αναρροφητήρας εκτός λειτουργίας
<b>I</b>	Ο αναρροφητήρας είναι ενεργοποιημένος χωρίς λειτουργία δόνησης
<b>A</b>	Αναρροφητήρας σε κατάσταση αναμονής (standby) Λειτουργία ετοιμότητας για τη ναυτομάτη ενεργοποίηση/απενεργοποίηση. (ο απορροφητήρας αναβεί και οι σβήνες μέσω του ηλεκτρικού εργαλείου)
<b>AC</b>	Αναρροφητήρας σε κατάσταση αναμονής (standby) Μόλις θέσετε το εργαλείο σε λειτουργία ενεργοποιείται αυτόματα και ο αναρροφητήρας. Λειτουργία ετοιμότητας στο ψA <sup>+</sup> plus αυτόματος καθαρισμός φίλτρου Μετά την απενεργοποίηση του εργαλείου ο αναρροφητήρας συνεχίζει να λειτουργεί για περίπου 10 δευτερόλεπτα. Με τον τρόπο αυτό αποτρέπεται η παραμονή υπολειμμάτων στον εύκαμπτο σωλήνα.

Θέστε το διακόπτη του αναρροφητήρα στη θέση >0<.

Αφού ολοκληρώσετε την καθαριότητα αποσυνδέστε το βύσμα.

Για τη φύλαξη του σωλήνα αναρρόφησης με τοποθέτησή του στην προβλεπόμενη θήκη εξαρτημάτων\* στερεώστε τον στο πίσω τοίχωμα του κάδου.

Τα άκρα του εύκαμπτου σωλήνα μπορούν να τακτοποιηθούν το ένα μέσα στο άλλο για να μην εισχωρήσουν ρυτιγόνα σωματίδια.

**ΠΡΟΣΟΧΗ:** Διακόπτης προεπιλογής για σήμα ελάχιστου όγκου ρεύματος (κόρνα και λυχνία) σε αναρροφητήρες της κατηγορίας «M» και «H»

Στις καταστάσεις λειτουργίας >AR< και >A< διενεργείται ανάλογα με τη διάμετρο του εύκαμπτου σωλήνα και η ακόλουθη ρύθμιση:

Εσωτερική διάμετρος εύκαμπτου σωλήνα	Θέση διακόπτη
Ø 35 mm	70 m <sup>3</sup> /h
Ø 27 mm	40 m <sup>3</sup> /h
Ø 21 mm	20 m <sup>3</sup> /h

Δεν πραγματοποιείται ρύθμιση του αριθμού στροφών. Ο αναρροφητήρας λειτουργεί πάντα με μέγιστο αριθμό στροφών.

EL

## ΤΡΟΠΟΙ ΛΕΙΤΟΥΡΓΙΑΣ

Χρησιμοποιώντας τη λαβή τύπου σωλήνα μπορείτε να προσαρμόσετε την ισχύ αναρρόφησης με τον πλευρικό αεροφράκτη.

### Στεγνή αναρρόφηση

Καθαρίστε μόνο με στεγνό φίλτρο, αναρροφητήρα και εξαρτήματα, για να μην συκρατηθεί η σκόνη στο εσωτερικό της συσκευής και δημιουργήσει κρούστα.

Εάν γίνεται αναρρόφηση σκόνης αιθάλης, τσιμέντου, γύψου, αλευριού ή παρόμοιου τύπου, συνιστούμε τη χρήση χάρτινου φιλτράσκαου. Χρησιμοποιείτε τους χάρτινους φιλτράσκαους πάντα σε συνδυασμό με κασέτες πτυχωτών φίλτρων

### Υγρή αναρρόφηση

**ΠΡΟΕΙΔΟΠΟΙΗΣΗ: Σε περίπτωση εκροής αφρού ή υγρού θέστε αμέσως τον αναρροφητήρα εκτός λειτουργίας.**

**Εκκενώστε τον κάδο και, αν χρειάζεται, την κασέτα πτυχωτού φίλτρου.**

**ΥΠΟΔΕΙΞΗ: στάθμης νερού (1) και ελέγχετε για ενδείξεις βλάβης**

Εκτελείτε εργασίες καθαριότητας χωρίς χάρτινο φιλτράσκαο.

Οι κασέτες πτυχωτών φίλτρων ενδείκνυνται για την υγρή αναρρόφηση.

Ο ενσωματωμένος αισθητήρας θέτει το μοτέρ εκτός λειτουργίας, όταν γεμίσει ο κάδος. Ο χειρισμός του αναρροφητήρα δυσχεραίνεται, όταν ο κάδος είναι γεμάτος.

Αδειάστε τον αναρροφητήρα

**ΠΡΟΕΙΔΟΠΟΙΗΣΗ: Εάν ο αναρροφητήρας δεν τεθεί εκτός λειτουργίας, παραμένει ενεργή η προστασία επανεκκίνησης. Μόνο μετά την απενεργοποίηση και νέα ενεργοποίησή του ο αναρροφητήρας θα είναι έτοιμος για λειτουργία**

✓Πριν την εκκένωση αφαιρέστε πρώτα τον εύκαμπο σωλήνα αναρρόφησης από το υγρό.

Εάν η ισχύς αναρρόφησης είναι πολύ μεγάλη και το σχήμα του κάδου δεν ευνοεί τη ροή, μπορεί μετά την απενεργοποίηση να εκρεύσει νερό από τον εύκαμπο σωλήνα.

Για να συνεχίσετε τη λειτουργία με στεγνή αναρρόφηση τοποθετήστε το ξηρό φίλτρο

**ΥΠΟΔΕΙΞΗ: Σε περίπτωση συχνής εναλλαγής μεταξύ στεγνής και υγρής αναρρόφησης, συνιστούμε την τοποθέτηση δεύτερου σετ φίλτρων, κατά προτίμηση κασετών πτυχωτών φίλτρων από πολυεστέρα.**

## ΔΙΑΡΚΗΣ ΚΑΘΑΡΙΣΜΟΣ ΦΙΛΤΡΩΝ

Ο αναρροφητήρας είναι εξοπλισμένος με ηλεκτρομαγνητικό σύστημα καθαρισμού των φίλτρων, με το οποίο η προσκολλημένη σκόνη μπορεί να απομακρυνθεί με δόνηση από τις κασέτες πτυχωτών φίλτρων.

Οι κασέτες πτυχωτών φίλτρων καθαρίζονται εναλλάξ η μία μετά την άλλη, ώστε να διασφαλίζεται η εργασία με τη συσκευή χωρίς διακοπές.

## ΕΚΚΕΝΩΣΗ ΚΑΔΟΥ

**ΥΠΟΔΕΙΞΗ: Επιτρέπεται μόνο εφόσον η αναρροφώμενη σκόνη έχει οριακή τιμή επαγγελματικής έκθεσης > 1 mg/m<sup>3</sup>**

Θέστε εκτός λειτουργίας τον αναρροφητήρα, αποσυνδέστε το βύσμα.

Ανοίξτε τις ασφάλειες.

Αφαιρέστε το καπάκι και τον εύκαμπτο σωλήνα αναρρόφησης από τον κάδο.

Αναποδογυρίστε τον κάδο.

### Απόρριψη χάρτινου φιλτράσκαου

Αποσυνδέστε το βύσμα

Φορέστε προστατευτική μάσκα.

Αφαιρέστε τον εύκαμπτο σωλήνα αναρρόφησης, κλείστε το στόμιο αναρρόφησης με πώμα\*.

Ανοίξτε τις πλευρικές ασφάλειες, αφαιρέστε το άνω τμήμα.

Τραβήξτε προσεκτικά τη φλάντζα από το στόμιο αναρρόφησης και κλείστε την.

Απορρίψτε το περιεχόμενο του κάδου όπως ορίζει ο νόμος.

### Απορρίψτε τους σάκους απόρριψης πολυεστέρα.

Σάκοι απόρριψης πολυεστέρα: Θέστε τον αναρροφητήρα σε λειτουργία, δονήστε τις κασέτες πτυχωτών φίλτρων. Θέστε τον αναρροφητήρα εκτός λειτουργίας

Φορέστε προστατευτική μάσκα.

Αφαιρέστε τον εύκαμπτο σωλήνα αναρρόφησης, κλείστε το στόμιο αναρρόφησης με πώμα\*.

Ανοίξτε τις πλευρικές ασφάλειες, αφαιρέστε το άνω τμήμα.

Πριν από την απενεργοποίηση, θέστε σε λειτουργία το άνω τμήμα με το διακόπτη στη θέση >IR<, για να αναρροφηθεί αιωρούμενη σκόνη που μπορεί να πέσει κάτω.

Κλείστε προσεκτικά τους σάκους απόρριψης πολυεστέρα με το ενσωματωμένο κορδόνι κλεισίματος.

Τραβήξτε προσεκτικά τη φλάντζα από το στόμιο αναρρόφησης και ασφαλίστε.

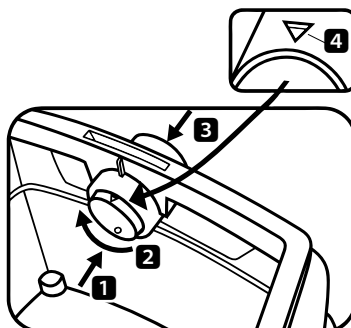
Αφαιρέστε με προσοχή τους σάκους απόρριψης πολυεστέρα από τον κάδο.

Απορρίψτε το περιεχόμενο του κάδου όπως ορίζει ο νόμος.

### Τοποθέτηση του χάρτινου φίλτρώσακου

**ΥΠΟΔΕΙΞΗ:** Χρησιμοποιείτε το χάρτινο φίλτρώσακο μόνο για στεγνή αναρρόφηση.

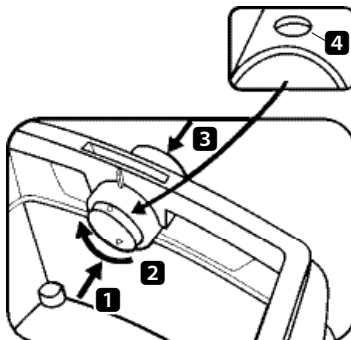
Τοποθετήστε τον περιστρεφόμενο σύρτη\* στο άνοιγμα αναρρόφησης με τη σήμανση **4 ▲** να δείχνει προς τα πάνω.  
Μετακινήστε τη φλάντζα εντελώς πάνω από το άνοιγμα αναρρόφησης .  
Τοποθετήστε το άνω τμήμα στον κάδο και κλείστε τις πλευρικές ασφάλειες.



### Τοποθέτηση σάκων απόρριψης πολυεστέρα\*

**ΥΠΟΔΕΙΞΗ:** Μόνο οι αναρροφητήρες των κατηγοριών M και H που διαθέτουν ειδικό κάδο και περιστρεφόμενο σύρτη στο άνοιγμα αναρρόφησης του τύπου AC 1630 P-M ενδείκνυται για χρήση σε συνδυασμό με σάκους απόρριψης πολυεστέρα.

Τοποθετήστε τον περιστρεφόμενο σύρτη\* στο άνοιγμα αναρρόφησης με τη σήμανση **4 •** να δείχνει προς τα πάνω.  
Μετακινήστε την φλάντζα εντελώς πάνω από το στόμιο αναρρόφησης, τοποθετήστε την άνω σπή του σάκου πάνω από το χείλος του κάδου.  
Τοποθετήστε το άνω τμήμα στον κάδο και κλείστε τις πλευρικές ασφάλειες.



### **Bedienung des Drehschiebers:**

Πιέστε τον περιστρεφόμενο σύρτη\* από μέσα προς τα έξω **1**, περιστρέψτε τον κατά 180° **2** (βλ. σήμανση **4**) και στη συνέχεια πιέστε τον πάλι από έξω προς τα μέσα περνώντας τον από το στόμιο αναρρόφησης **3**

## **ΑΝΤΙΚΑΤΑΣΤΑΣΗ ΦΙΛΤΡΩΝ**

### Αντικατάσταση πτυχωτών φίλτρων

Δονήστε τις κασέτες πτυχωτών φίλτρων πριν την αντικατάσταση των φίλτρων.  
Με ένα κέρμα ή παρεμφερές αντικείμενο περιστρέψτε αριστερόστροφα την ασφάλεια στο μάνδαλο κατά 90° και πιέστε το μάνδαλο προς τα πίσω.

Ανοίξτε το κάλυμμα.

Κλείστε αμέσως τις κασέτες πτυχωτών φίλτρων, που μόλις αφαιρέσατε, σε ένα πλαστικό σάκο στεγανό στη σκόνη και απορρίψτε τις όπως ορίζει ο νόμος.

Τοποθετήστε καινούριες κασέτες πτυχωτών φίλτρων.

Ανασηκώστε το εξάρτημα ασφάλισης, κατεβάστε το κάλυμμα και ασφαλίστε πιέζοντας ελαφρά.

## Αντικατάσταση φίλτρου προστασίας μοτέρ

**ΥΠΟΔΕΙΞΗ: Εάν το φίλτρο προστασίας μοτέρ είναι βρώμικο, αυτό υποδηλώνει βλάβη των κασετών φίλτρων.**

Αντικαταστήστε τις κασέτες πτυχωτών φίλτρων.

Αντικαταστήστε ή ξεπλύνετε το φίλτρο προστασίας κινητήρα με νερό, στεγνώστε το και ξανατοποθετήστε το

## **ΣΥΝΤΗΡΗΣΗ**

**ΥΠΟΔΕΙΞΗ: Πριν από τις εργασίες συντήρησης πρέπει να θέσετε τον αναρροφητήρα εκτός λειτουργίας και να αποσυνδέετε το βύσμα**

Για τη διενέργεια συντήρησης από το χρήστη ο αναρροφητήρας πρέπει

- να αποσυναρμολογείται,
- να καθαρίζεται και
- να συντηρείται,

στο πλαίσιο του εφικτού χωρίς να προκληθεί κατά τη διαδικασία αυτή κίνδυνος για το προσωπικό συντήρησης ή άλλα άτομα.

### Μέτρα προστασίας

Τα ενδεδειγμένα μέτρα προστασίας περιλαμβάνουν

- καθαρισμό πριν την αποσυναρμολόγηση,
- λήψη μέριμνας για τον εξαναγκασμένο εξαερισμό με χρήση φίλτρων που εφαρμόζεται στο χώρο που θα γίνει αποσυναρμολόγηση του αναρροφητήρα,
- καθαρισμό της χώρας που θα διεξαχθεί η συντήρηση και
- κατάλληλο εξοπλισμό προστασίας για το προσωπικό.

### Μέτρα προστασίας για αναρροφητήρες των κατηγοριών H και M

Το εξωτερικό του αναρροφητήρα πρέπει να καθαριστεί με ηλεκτρική σκούπα και να σκουπιστεί με πανί ή να χρησιμοποιηθούν μέσα στεγανοποίησης, πριν από την απομάκρυνση από την περιοχή κινδύνου. Όλα τα εξαρτήματα του αναρροφητήρα πρέπει να θεωρούνται βρώμικα, όταν απομακρύνονται από την περιοχή κινδύνου και πρέπει να γίνονται οι κατάλληλες ενέργειες για να αποτραπεί ο διασκορπισμός της σκόνης

### Βρώμικα αντικείμενα

Κατά τη διεξαγωγή των εργασιών συντήρησης και επισκευής πρέπει όλα τα βρώμικα αντικείμενα που δεν είναι δυνατόν να καθαριστούν σε ικανοποιητικό βαθμό, να απορριφθούν. Τέτοιου είδους αντικείμενα πρέπει να τοποθετούνται σε αδιαπέραστη συσκευασία σύμφωνα με τους ισχύοντες κανονισμούς για την απομάκρυνση ανάλογων απορριμμάτων

### Τεχνικός έλεγχος

Ο κατασκευαστής ή ένα εκπαιδευμένο για το σκοπό αυτό άτομο πρέπει να διενεργεί ετησίως έναν τεχνικό έλεγχο που περιλαμβάνει για παράδειγμα τον έλεγχο των φίλτρων ως προς την ύπαρξη φθορών καθώς και έλεγχο της αεροστεγανότητας του αναρροφητήρα και της σωστής λειτουργίας της διάταξης ελέγχου..



## Έλεγχος αποδοτικότητας του αναρροφητήρα

**ΠΑΡΑΤΗΡΗΣΗ:** Στους αναρροφητήρες της κατηγορίας **H** πρέπει να ελέγχεται και η αποδοτικότητα τουλάχιστον μία φορά το χρόνο.

Πρέπει να υπάρχει στο χώρο ένας επαρκής *ρυθμός ανανέωσης αέρα L*, όταν ο αποβαλλόμενος αέρας επιστρέφει στο χώρο διεξαγωγής των εργασιών. Για περισσότερες υποδείξεις σχετικά ανατρέξτε στους κανονισμούς της χώρας σας. Αν η ισχύς αναρρόφησης του αναρροφητήρα μειώνεται και δεν αυξάνεται ούτε με τον καθαρισμό των κασετών πτυχωτών φίλτρων (υπό την προϋπόθεση ότι ο κάδος εκκενώθηκε και ο χάρτινος φίλτροσακος αντικαταστάθηκε), τότε απαιτείται αντικατάσταση των κασετών πτυχωτών φίλτρων

## **ΚΑΘΑΡΙΣΜΟΣ**

**ΥΠΟΔΕΙΞΗ:** **Οξέα, ασετόν και διαλυτικά μέσα μπορεί να προκαλέσουν διάβρωση στα εξαρτήματα της συσκευής.**

Καθαρίστε τον κάδο και τα εξαρτήματα με νερό.  
Καθαρίστε το άνω τμήμα της συσκευής με ένα βρεγμένο πανί.  
Αφήστε τον κάδο και τα εξαρτήματα να στεγνώσουν

## **ΕΠΙΣΚΕΥΗ**

**ΚΙΝΔΥΝΟΣ:** **Οι αναρροφητήρες που δεν έχουν επισκευαστεί από εξειδικευμένο προσωπικό αποτελούν κίνδυνο για το χρήστη.**

Οι επισκευές πρέπει να διεξάγονται μόνο από εξειδικευμένο προσωπικό, π. χ. την υπηρεσία εξυπηρέτησης πελατών. Χρησιμοποιείτε μόνο γνήσια ανταλλακτικά

## **ΜΕΤΑΦΟΡΑ**

Τοποθετήστε το πώμα ασφαλείας του αναρροφητήρα στην οπή αναρρόφησης.

Η κεφαλή του μοτέρ πρέπει να είναι σταθερά συνδεδεμένη με τον κάδο (κλείστε τις ασφάλειες).

Τοποθετήστε τα εξαρτήματα σε κατάλληλους πλαστικούς σάκους και σφραγίστε τους ή τοποθετήστε τα στη θήκη αποθήκευσης εργαλείων.

Τοποθετήστε τα άκρα του εύκαμπτου σωλήνα το ένα μέσα στο άλλο.

Τυλίξτε τον εύκαμπτο σωλήνα γύρω από τον αναρροφητήρα και σφηνώστε τον στη λαβή

## ΑΥΤΟΒΟΗΘΕΙΑ ΣΕ ΠΕΡΙΠΤΩΣΗ ΒΛΑΒΗΣ

Βλάβη	Πιθανή αιτία	Αντιμετώπιση
Μείωση της ισχύος αναρρόφησης	Βρώμικο φίλτρο Χάρτινο φίλτρο πλήρες Κάδος πλήρης Απόφραξη ακροφυσίου, σωλήνα ή εύκαμπτου σωλήνα	Καθαρισμός. Αντικατάσταση. Εκκένωση. Καθαρισμός.
Ο αναρροφητήρας δεν ξεκινάει	Βάλατε το βύσμα στην υποδοχή ρεύματος; Μήπως το δίκτυο δεν φέρει τάση; Το καλώδιο δικτύου είναι εντάξει; Έχετε κλείσει σωστά το καπάκι; Έχετε απενεργοποιήσει τον αισθητήρα νερού; Είναι ο αναρροφητήρας ρυθμισμένος στη λειτουργία ετοιμότητας «AR»;	Ρυθμίστε το διακόπτη στη θέση «I» ή «A»
Ο αναρροφητήρας δεν ξεκινάει με την ενεργοποίηση του εργαλείου στον τρόπο λειτουργίας >AC<	Βρίσκεται το βύσμα του εργαλείου στην υποδοχή της συσκευής; Είναι βρώμικη η μαγνητική βαλβίδα του αυτόματου συστήματος ενεργοποίησης πεπιεσμένου αέρα*;	Εισαγάγετε το βύσμα στην υποδοχή της ηλεκτρικής σκούπας Ξεπλύνετε το αυτόματο σύστημα ενεργοποίησης πεπιεσμένου αέρα* με οινόπνευμα
Γίνεται αναρρόφηση του σάκου απόρριψης πολυεστέρα στο φίλτρο	Λάθος θέση του περιστρεφόμενου σύρτη	Θέστε τον περιστρεφόμενο σύρτη στη θέση <b>4</b> ●
Αναρροφητήρες της κατηγορίας <b>M</b> ή <b>H</b> : με χάρτινο φίλτρο σκόνης τοποθετημένο στον κάδο	Λάθος θέση του περιστρεφόμενου σύρτη	Θέστε τον περιστρεφόμενο σύρτη στη θέση <b>4</b> ▲

Μην κάνετε άλλες επεμβάσεις στη συσκευή, αλλά απευθυνθείτε στο συνεργείο εξυπηρέτησης πελατών.

واط	1400	الطاقة المقدرة
واط	1600	أقصى طاقة
فولت ~	110/220	الفلطية
أمبير	6,5	التيار
هرتز	60 / 50	التردد
ل/ث	64	تدفق الهواء في المروحة
هيكيتوباسكال	260	الضغط العكسي في المروحة
مليمتر	400 × 550 × 550	الأبعاد (الطول × العرض × الارتفاع)
متر	6	الكابل
	H05RR-F 3G1,5	خط توصيل في المكناس الكهربائية مع مقبس التوصيل
ديسبيل (أ)	69,0	مستوى الضوضاء

### الاختبارات والموافقات

يجب إجراء الاختبارات الفنية الكهربائية طبقاً للوائح المعنية بمنع الحوادث (BGV A3) وطبقاً لمعايير DIN VDE 0701 الجزأين الأول والثاني. وهذه الاختبارات مطلوبة طبقاً لمعايير DIN VDE 0702 على فترات زمنية منتظمة وبعد أعمال الصيانة أو التعديلات. يجب إجراء فحص تقني كشفاً عن الأتربة مرة واحدة كل عام على الأقل بواسطة الشركة المصنعة أو شخص مؤهل، على سبيل المثال لاكتشاف أي تلف في المرشح أو امتلاء المكنسة الكهربائية بالأتربة أو فحص وظيفة جهاز المراقبة.

نتعهد على مسئوليتنا الخاصة أن منتج Typ Spit طراز AC 1625 و AC 1630P متوافق مع توجيهات الاتحاد الأوروبي والمعايير التعريفية: التوجيه رقم EEC/73/23 وتعديلاته بشأن الفولطية المنخفضة، التوجيه رقم EN 60335-2-69 وتعديلاته بشأن التوافق الكهرومغناطيسي.

روبن بيرنارت  
مدير الإنتاج

بول فان بيك  
مدير الأعمال

ITW Heger  
Industriepark  
Cardijnlaan 3  
B-8600 Diksmuide  
Belgien



## قبل الاستخدام

عند فتح العبوة، تحقق من أن الجهاز كامل ولا يوجد تلف ناتج عن النقل. قبل الاستخدام، يجب أن يحصل المشغلون على المعلومات والتعليمات والتدريب اللازم لاستخدام المكينة الكهربائية والمواد التي ستستخدم معها، بما في ذلك الإجراءات الآمنة لإزالة المواد وتجميعها.

## المؤشرات وعناصر التشغيل

يمكنك الاختيار من الوظائف والإعدادات التالية:

0		المكينة الكهربائية في وضع إيقاف التشغيل	- مقيس التوصيل متصل بالتيار الكهربائي
I		المكينة الكهربائية قيد التشغيل	- مقيس التوصيل متصل بالتيار الكهربائي - وظيفة الاهتزاز التلقائي متوقفة
A		استعداد للتشغيل	- مقيس التوصيل متصل بالتيار الكهربائي - وظيفة الاهتزاز التلقائي متوقفة
AC		استعداد للتشغيل ووظيفة الاهتزاز التلقائي	- مقيس التوصيل متصل بالتيار الكهربائي - وظيفة الاهتزاز التلقائي قيد التشغيل - يتم تشغيل المكينة الكهربائية وإيقاف تشغيلها عن طريق الأداة الكهربائية/الهواء المضغوط* الموصلة في مقيس التوصيل.
		وظيفة الاهتزاز التلقائي	- تشغيل وظيفة الاهتزاز التلقائي؛ دقيقتان
		مؤشر مستوى الامتلاء* ⑥	- عند امتلاء الحاوية و/أو وجود انسداد في خرطوم الشفط، يضيء مؤشر الاكتمال. في المكانس الكهربائية M وH، وتصدر إشارة صوتية أيضًا.
		تنظيم السرعة* ⑦	- يمكن تنظيم أداء الشفط باستخدام منظم السرعة.
		ضبط قطر خرطوم الشفط* ⑧	- تحديد الحد الأقصى للضغط السلبي للاهتزاز التلقائي.

(\*تبعًا لاختلاف أجهزة المكينة الكهربائية الخاصة بك)

التشغيل وإيقاف التشغيل

**تنبيه: يجب إيقاف تشغيل الأدوات الكهربائية وأدوات الهواء المضغوط عندما تكون موصلة بالكهرباء.**

سيكون مقبس التوصيل الموجود في المكنسة الكهربائية متصلاً بالكهرباء دائماً عند توصيل مقبس التيار الكهربائي، بصرف النظر عن موضع المفتاح.

ملاحظة: إذا كان المفتاح في الوضع <0>، يمكن استخدام مقبس التوصيل الموجود في المكنسة الكهربائية كوصلة تمديد.  
قيمة التوصيل: المكنسة الكهربائية + الوحدة الموصلة، 16 أمبيرًا بحد أقصى.

إدخال القابس في مأخذ التيار

<b>0</b>	إيقاف تشغيل المكنسة الكهربائية
<b>I</b>	تشغيل المكنسة الكهربائية بدون وظيفة الاهتزاز
<b>A</b>	المكنسة الكهربائية في وضع الاستعداد تشغيل المكنسة الكهربائية بدون وظيفة الاهتزاز وضع الاستعداد لوضع التشغيل/إيقاف التشغيل التلقائي. (يتم تشغيل/إيقاف تشغيل وحدة الشفط بواسطة الأداة الكهربائية)
<b>AC</b>	المكنسة الكهربائية في وضع الاستعداد وضع الاستعداد مثل "A" مع التنظيف التلقائي للمرشح. لا يتم تشغيل المكنسة الكهربائية إلا عندما تكون الأداة قد التشغيل. بعد إيقاف تشغيل الأداة، يتم تشغيل المكنسة الكهربائية لمدة 10 ثوانٍ تقريباً لمنع تجمع أية بقايا في الخرطوم.

اضبط مفتاح المكنسة الكهربائية على الوضع <0>.

افصل القابس بعد الانتهاء.

قم بتثبيت خرطوم الشفط في موقع تخزين الملحقات\* في الجزء الخلفي لحاوية التخزين.

يمكن إدخال أطراف الخرطوم في بعضها لمنع خروج جزيئات الأتربة.

**تنبيه: يوجد على المكناس الكهربائية من الفئتين "M" و "H" مفتاح اختيار للحد الأدنى لتدفق المواد (صوتي وضوئي).**

في الوضعين <AC> و <A> يتم إجراء الإعداد التالي، تبعاً لقطر الخرطوم:

موضع المفتاح	القطر الداخلي للخرطوم
70 متر <sup>3</sup> /ساعة	Ø 35 ملليمترًا
40 متر <sup>3</sup> /ساعة	Ø 27 ملليمترًا
20 متر <sup>3</sup> /ساعة	Ø 21 ملليمترًا

لا يتم إجراء تنظيم للسرعة. يتم تشغيل المكنسة الكهربائية بأقصى سرعة دائماً.

عند استخدام المقبض يمكنك تكييف أداء الشفط باستخدام القفل المنزلق للتحكم في دخول الهواء إلى الخرطوم.

### التنظيف بالشفط الجاف

يجب عليك استخدام المكنسة الكهربائية مع مرشح جاف فقط وملحقات مناسبة لمنع تراكم الأتربة وتكوين الأوساخ الصلبة.  
عند استخدام المكنسة الكهربائية لإزالة الأوساخ أو الأسمنت أو الجبس أو الدقيق أو المواد المشابهة، نوصي باستخدام أكياس ترشيح ورقية. استخدم دائمًا أكياس الترشيح مع أشرطة ترشيح مطوية.

### التنظيف بالشفط الرطب

**تنبيه: قم بإيقاف تشغيل المكنسة الكهربائية على الفور في حالة خروج رغوة أو سائل. قم بتفريغ الحاوية، وكذلك شريط المرشح المطوي إن لزم الأمر.**

ملاحظة: قم بتنظيف مستشعرات مستوى الماء بانتظام وافحصها بحثًا عن علامات لوجود تلف.

الشفط بدون أكياس ترشيح ورقية.  
أشرطة المرشح المطوية مصممة للشفط الرطب.  
يعمل المستشعر المثبت على إيقاف تشغيل المحرك عند امتلاء الحاوية.  
يمكن الإضرار بالمكنسة الكهربائية عند امتلاء الحاوية  
تفريغ المكنسة الكهربائية.

**تنبيه: إذا لم يتم إيقاف تشغيل المكنسة الكهربائية، تبقى وحدة حماية إعادة التشغيل قيد التشغيل. لا يمكن استخدام المكنسة الكهربائية مرة أخرى إلا بعد إيقاف تشغيلها وإعادة تشغيلها.**

قم بإزالة خرطوم الشفط من السائل قبل التفريغ.

بعد إيقاف التشغيل، يمكن أن ترجع كمية صغيرة من الماء إلى الخرطوم، وذلك نتيجة لارتفاع مستوى الشفط وحالة التدفق المفضلة في الحاوية.

في حالة استخدامها كمكنسة كهربائية جافة، يجب عليك إدخال مرشحات جافة.

ملاحظة: في حالة التبديل بين الشفط الجاف والرطب بشكل متكرر، ننصحك باستخدام مجموعة ثانية من المرشحات، يفضل استخدام أشرطة المرشحات المطوية المصنوعة من مادة البولبيستر.

المكنسة الكهربائية مجهزة بوحدة تنظيف كهرومغناطيسية للمرشح يمكن استخدامها للتخلص من الأتربة الموجودة على أشرطة المرشحات المطوية. يتم تنظيف أشرطة المرشحات المطوية بالتبادل لضمان العمل بشكل مستمر

### تفريغ الحاوية

**ملاحظة: لا يُسمح بهذا الإجراء إلا في حالة الأتربة التي يبلغ متوسط وزنها < 1 ملليجرام/متر<sup>3</sup>.**

قم بإيقاف تشغيل المكنسة الكهربائية، ثم افصل قابس الطاقة الرئيسي. افتح المزالج. انزع الغطاء وخرطوم الشفط من الحاوية. قم بتفريغ الحاوية عن طريق قلبها.

### التخلص من كيس الترشيح الورقي

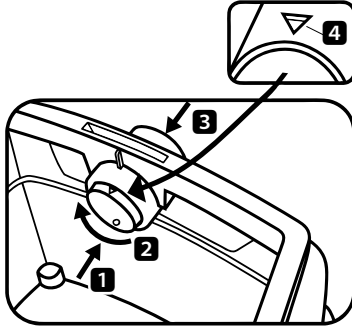
افصل قابس الطاقة الرئيسي. ارتدِ واقي القدم. انزع خرطوم الشفط، وإغلاق فتحة الشفط بسدادة. افتح المزالج الجانبية، ثم قم بإزالة الجزء العلوي. اسحب الشفة بحرص من فتحة الشفط ثم أغلقها. تخلص من المواد التي تم شفطها وفقاً للمتطلبات القانونية.

### التخلص من كيس التفريغ والتخلص المصنوع من البولي إيثيلين

كيس التفريغ والتخلص المصنوع من البولي إيثيلين: قم بتشغيل المكنسة الكهربائية، وهز أشرطة المرشح المطوية. قم بإيقاف تشغيل المكنسة الكهربائية. ارتدِ واقي القدم. قم بإزالة خرطوم الشفط، وأغلق فتحة الشفط بسدادة. افتح المزالج الجانبية، وقم بإزالة القسم العلوي. قبل خلع القسم العلوي، قم بتحويل المفتاح إلى الوضع <A>، لسحب أي أتربة متطايرة قد تكون موجودة. أغلق كيس التفريغ والتخلص المصنوع من البولي إيثيلين بحذر باستخدام الشريط الموجود. اسحب الشفة بحرص من فتحة الشفط ثم أغلقها. قم بإزالة كيس التفريغ والتخلص المصنوع من البولي إيثيلين من الحاوية. تخلص من المواد التي تم شفطها وفقاً للمتطلبات القانونية.

## إدخال كيس الترشيح الورقي

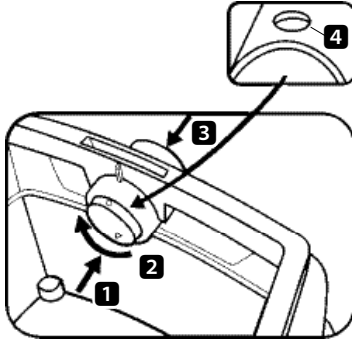
ملاحظة: يستخدم كيس الترشيح الورقي للشفط الجاف فقط



اسحب الشفة بالكامل على فتحة الشفط.  
ضع القفل المنزلق الدوار في فتحة الشفط بحيث تكون العلامة 4 ▲ متجهة لأعلى.  
ضع القسم العلوي على الحاوية وأغلق المزالج الجانبية.

## إدخال كيس التفريغ والتخلص المصنوع من البولي إيثيلين

ملاحظة: المكانس الكهربائية من الفئتين M و H التي تحتوي على حاويات خاصة ومنزلقات دوارة في فتحة الشفط هي فقط التي تناسب استخدام أكياس التفريغ والتخلص المصنوعة من البولي إيثيلين.



ضع المنزلق الدوار في فتحة الشفط بحيث تكون العلامة 4 ● متجهة لأعلى.  
اسحب الشفة على فتحة الشفط بالكامل.  
وضع فتحة الكيس العلوية على حافة الحاوية.  
ضع القسم العلوي على الحاوية وأغلق المزالج الجانبية.

## تشغيل المنزلق الدوار:

- 1 ادفع المنزلق الدوار من الداخل إلى الخارج
- 2 وقم بتدويره بزاوية 180 درجة (انظر العلامة 4)
- 3 ثم ادفع للدخول مرة أخرى من الخارج عبر فتحة الشفط

## تغيير المرشح

### تغيير المرشح المطوي

قم بهز أشربة المرشح المطوية قبل تغييرها.  
قم بإدارة القفل الموجود على المزلاج Z بزاوية 90 درجة في عكس اتجاه عقارب الساعة باستخدام عملة أو أي شيء مشابه وادفع المزلاج للخلف.  
قم بطي الغطاء لأعلى.  
قم بفصل أشربة المرشحات المطوية © التي قمت بإزالتها في كيس بلاستيكي محكم وتخلص منها وفقاً للوائح.  
أدخل أشربة مرشحات جديدة قابلة للطي.  
ارفع حامل القفل لأعلى، ثم قم بطي الغطاء لأسفل واضغط عليه برفق.

## تغيير مرشح حماية المحرك

ملاحظة: إذا كان مرشح حماية المحرك ملوثًا فإن ذلك يشير إلى وجود خلل في أشرطة المرشح. قم باستبدال أشرطة المرشح المطوية. قم باستبدال مرشح حماية المحرك أو اغسل مرشح حماية المحرك تحت الماء الجاري وجففه ثم أعد تركيبه.

## **الصيانة**

ملاحظة: قم بإيقاف تشغيل المكينة الكهربائية وافصل قابس الطاقة الرئيسي قبل إجراء أي أعمال صيانة. للصيانة بواسطة المستخدم، يجب

- فك

- وتنظيف

- وصيانة

المكينة الكهربائية قدر الإمكان دون أن يشكل ذلك أي خطر على موظف الصيانة أو غيره.

### إجراءات وقائية

تتضمن الإجراءات الوقائية المناسبة

- التنظيف قبل التفكيك

- توفير تهوية جيدة مرشحة للمكان الذي يتم فيه تفكيك المكينة الكهربائية

- تنظيف منطقة الصيانة

- استخدام معدات وقاية شخصية مناسبة.

### إجراءات وقائية مع المكائن الكهربائية من الفئتين H و M

يجب تنظيف السطح الخارجي للمكينة الكهربائية ومسحه أو تتم معالجتها بمادة مانعة للتسرب قبل إزالتها من منطقة الخطر. يجب التعامل مع كافة أجزاء المكينة الكهربائية على أنها ملوثة عند إزالتها من منطقة الخطر ويجب التعامل معها بطريقة ملائمة لمنع انتشار الأتربة.

### العناصر الملوثة

عند القيام بأعمال صيانة أو إصلاح، يجب التخلص من كافة العناصر الملوثة التي لم يتم تنظيفها كما ينبغي. يجب التخلص من مثل هذه العناصر في أكياس محكمة طبعًا للوائح المعمول بها بشأن التخلص من مثل هذه النفايات.

### الاختبار الفني

يجب إجراء فحص فني مرة كل عام على الأقل بواسطة شخص مدرب، يقوم بالفحص بحثًا عن وجود تلف في المرشح والتأكد من أن المكينة الكهربائية محكمة ضد خروج الهواء، والتحقق من أن وظيفته جهاز المراقبة تعمل بشكل صحيح.

### اختبار فعالية المكينة الكهربائية

ملاحظة: بالإضافة إلى ذلك، يجب التحقق من فعالية المكينة الكهربائية من الفئة "H" مرة كل عام على الأقل.

يجب أن يكون هناك معدل مناسب لتجدد الهواء من المستوى L في الغرفة في حالة خروج هواء العادم في الغرفة. يمكن الحصول على مزيد من المعلومات من اللوائح المحلية.

في حالة انخفاض كفاءة شفط المكينة الكهربائية وازدياد إجراءات تنظيف أشرطة المرشح القابلة للطي، يكون أداء الشفط غير ملائم (شريطة أن تكون الحاوية فارغة وتم استبدال كيس الترشيح الورقي) وعندئذ يجب استبدال أشرطة المرشح القابلة للطي.

## التنظيف

ملاحظة: يمكن أن تعمل الأحماض والقلويات والمذيبات على تآكل أجزاء من المكينة الكهربائية.  
قم بتنظيف الحاوية وملحقاتها بالماء.  
امسح الجزء العلوي بقطعة قماش رطبة.  
اترك الحاوية وملحقاتها حتى تجف

## الإصلاح

خطر: تمثل المكائن الكهربائية التي تم إصلاحها بطريقة غير صحيحة خطرًا على المشغل.  
يجب إجراء الإصلاحات بواسطة متخصصين مثل خدمة العملاء. لا تستخدم قطع غيار غير أصلية.

## النقل

أدخل سدادة الإغلاق الخاصة بالمكينة الكهربائية في فتحة الشفط.  
يجب تركيب رأس المحرك في الحاوية بإحكام (أغلق المزلاج).  
ضع الملحقات في كيس بلاستيكي مناسب وأغلق الكيس البلاستيك أو ضعه في حجرة تخزين الأدوات.  
قم بتوصيل أطراف خرطوم الشفط في بعضها.  
ضع الخرطوم حول المكينة الكهربائية وقم بتثبيتته فوق المقبض.

## الإسعافات الأولية في حالة حدوث عطل

العطل	السبب المحتمل	العلاج
انخفاض الشفط	تلوث المرشح امتلاء المرشح الورقي امتلاء الحاوية انسداد الفوهة أو الأنابيب أو الخرطوم	تنظيفه. تغييره. تفريغها. تنظيفها.
تعذر تشغيل المكينة الكهربائية	هل قابس الطاقة موصل؟ هل مصدر الطاقة مفقود؟ هل كابل الكهرباء بحالة جيدة؟ هل الغطاء مغلق بشكل صحيح؟ هل تم إيقاف تشغيل مستشعر الماء؟ هل المكينة الكهربائية في وضع الاستعداد للتشغيل <AC>؟	قم بإعدادها على <I> أو <A>
يتعذر تشغيل المكينة الكهربائية عند تشغيل الأداة في الوضع <AC>	هل قابس الطاقة الخاصة بالجهاز موصل بماخذ التيار؟	ضع قابس الطاقة في مأخذ التيار بالمكينة الكهربائية
كيس التفريغ والتخلص المصنوع من البولي إيثيلين مشفوط نحو المرشح	هل تلوث صمام الملف اللولبي الخاص بمفتاح التشغيل التلقائي للهواء المضغوط؟	اشطف مفتاح التشغيل التلقائي للهواء المضغوط بالكحول
كيس التفريغ والتخلص المصنوع من البولي إيثيلين مشفوط نحو المرشح	ضع المنزلق الدوار بشكل صحيح	قم بضبط المنزلق الدوار إلى الوضع 4 ●
المكينة الكهربائية من الفئتين M وH: يوجد بهما أتربة في المرشح الورقي الذي تم إدخاله في المرشح	ضع المنزلق الدوار بشكل صحيح	قم بضبط المنزلق الدوار إلى الوضع 4 ▲

لا تقم بأي إجراءات أخرى واتصل بورشة خدمة العملاء المركزية.



Serial n° / Identification  
Gerätebezeichnung / Codice identificativo  
Identificatie / Identificaci6n  
Identificaç6o / Identifying  
Identifikation / Identifikasjon  
Tunniste / Azonosító  
Identyfikacyjny / Identifikace  
Identifikačné / Идентификационный  
Identifikacija / Identifikacijska  
Идентификационный / Αριθμός αναγνώρισης  
الرقم التسلسلي / التعريف

This manual should always be retained with the tool.

Ce manuel doit toujours être conservé avec l'outil.

Diese Anleitung stets zusammen mit dem Gerät aufbewahren.

Il presente manuale deve sempre accompagnare l'elettrotensile.

Bewaar deze handleiding altijd dicht bij het gereedschap.

Se debe guardar siempre este manual con la herramienta.

Este manual deve ser sempre guardado com a ferramenta.

Den här bruksanvisningen ska alltid medf6lja verktyget.

Denne brugervejledning skal altid befinde sig sammen med pudsemaskinen.

Denne h6ndboken skal alltid oppbevares sammen med maskinen.

T6m6n k6ytt6opas tulee aina s6ilytt66 ty6kalun mukana.

Jelen k6zik6nyvet tartsa a szersz6mmal egyutt.

Tę instrukcję nalezy przechowywać l6cznie z narz6dziem.

Tento n6vod se musí v6zdy uschov6vat s n6strojem.

Tento n6vod musí v6zdy zost6vat s n6radím.

Овој прирачник треба секогаш да се чува заедно со алатот.

Priručnik uvek treba držati sa alatom.

Ovaj priručnik treba uvijek držati uz alat.

Prir6očník imejte vedno pri orodju.

Данное руководство следует всегда хранить вместе с инструментом.

Το παρόν εγχειρίδιο πρέπει να διατηρηθεί πάντα με το εργαλείο.

يجب الاحتفاظ بهذا الدليل دائماً مع الأداة.

Spit reserves the right to modify the characteristics of its products at any time. The photographs may show equipment or accessories supplied as options and not included with standard versions.

Spit se r6serve le droit de modifier les caract6ristiques de ses produits 6 tout moment. Les photographies peuvent illustrer des 6quipements ou accessoires fournis en option qui ne sont pas inclus dans les versions standards.

Spit beh6llt sich vor, die Produkteigenschaften jederzeit zu 6ndern. Auf den Fotos sind unter Umstanden Ger6te oder Zubeh6r zu sehen, die als Zusatzausstattung angeboten werden und in den serienm66igen Ausf6hrungen nicht enthalten sind.

Spit si riserva il diritto di modificare caratteristiche e specifiche del prodotto in qualunque momento e senza alcun preavviso. Le fotografie possono illustrare attrezzature o accessori di tipo opzionale e pertanto non compresi nelle versioni standard del prodotto.

Spit behoudt zich het recht voor om de eigenschappen van zijn producten te allen tijde aan te passen. De foto's in deze handleiding kunnen optioneel geleverde materiaal of toebehoren tonen die niet inbegrepen zijn in de standaardversies.

Spit se reserva el derecho a modificar las caracteristicas de sus productos en cualquier momento. Las im6genes podrn mostrar equipos o accesorios proporcionados como opcionales y no estar incluidos en las versiones est6ndar.

A Spit r6serva-se o direito de modificar as caracteristicas dos seus produtos em qualquer ocasi6o. As fotografias podem apresentar equipamentos e acc6s6rios fornecidos como opç6o e que n6o se encontram includidos nas vers6es padr6o.

Spit forbeholder sig r6ttigheten til 6ndre egenskaper for foret6gets produkter n6r som helst. Bilderna kan visa utrustning eller tilbeh6r som medf6ljer som tillval och som eventuellt inte ing6r i standardversionerna.

Spit forbeholder sig retten til 6nhver tid at 6ndre p6 karakteristika for sine produkter. Fotografierne kan vise udstyr eller tilbeh6r, der leveres som ekstraltilbeh6r, og som ikke f6lger med standardudgaven.

Spit forbeholder seg retten til 6 6ndre karakteristikkene til produktene sine n6r som helst. Bildene kan vise utstyr eller tilbeh6r som er tilleggsutstyr og som ikke kommer med standardutgaven.

Spit varaa itsell66n oikeuden muuttaa t6m6n tuotteen ominaisuuksia milloin tahansa. Valokuvissa saattaa esiinty6 valinnaisina toimitettuja tarvikkeita tai lis6varusteita, jotka eiv6t sis6ll6 vakiomalleihin.

A Spit fenntartja mag6nak a jogot a term6kek jellemz6inek m6dosítás6ra. A mell6kelt 6br6kon el6fordulhatnak olyan eszköz6k vagy kieg6szít6k, melyek nem k6pezik r6sz6t az alapv6ltozatoknak.

Firma Spit zastrzega sobie prawo do modyfikacji cech swoich produkt6w w dowolnym momencie. Fotografie mog6 przedstawiać sprz6t lub oprz6rzydowanie stanowi6ce opcje, nie zawarte w wersji standardowej.

Spit si vyhradzuje pr6vo kdykoliv zm6nit charakteristiky. Na fotografiich m6že byt vybavení nebo p6slušenstvi, kter6 se dod6v6 jako voliteln6 doplnky a není součástí standardn6ch verzí.

Spoločnosť Spit si vyhradzuje pr6vo kedykoľvek upraviť charakteristiky svojich v6robkov. Fotografie m6žu ukazovať zariadenia alebo pr6slušenstvo dod6vané ako doplnkov6 vybavenie, ktor6 nie je súčasťou dod6vky z6kladn6ch verzí.

Spit 6o 3adp6ruva pr6voto vo k6e bilo vreme da gi menuva karakteristikitte na negovite proizvodi. Na fotografijeme moжат da bidat prikazani opremata ili priborot što se isporuçuvaat dopolnitelno i ne se vkljueni vo standardnata verzija.

Spit 6o 3adp6ruva pr6vo da izmeni karakteristike proizvoda u bilo kom trenutku. Na fotografijama su možd6 prikazani oprema ili pribor koji se isporuçuju kao opcije i kojih nema kod standardnih verzija.

Spit 6o 3adp6ruva pr6vo 6zmenje značajki proizvoda u bilo kojem trenutku. Fotografije mogu prikazivati opremu ili pribor koji se dodatno isporuçuju i nisu obuhvaćeni standardnim verzijama.

Proizvatelac Spit si pridruzuje pravico kadarkoli spremeniti tehnične lastnosti svojih izdelkov. Nekaterе fotografije prikazujejo opremo in pribor za doplaćilo, ki ju standardne izvedbe nimajo.

Компания Spit оставляет за собой право в любое время изменять характеристики своей продукции. На фотографийа может быть показано оборудование и принадлежности, поставляемые дополнительно и невключенные в комплект стандартных версий.

H Spit 6o 3adp6r6 to 6kivalojio prototipol6pis t6m6 charakteristik6n t6m6 pr6v6t6m6 t6s optot66tote. Oi fotografiefes m6por6 e na deikh6m6 ex6pliam6 h6 6zart6rjama epitlog6s tou 6m6 perila66rd6n6toi oto kavonik6 nov6la.

تحتفظ Spit بالحق في تعديل خصائص منتجها في أي وقت، وقد تظهر الصور الفوتوغرافية الأجهزة أو الملحقات المتوفرة كخيارات والتي لا يتم تضمينها مع الإصدارات القياسية.



ITW HEGER  
Industriepark  
Cardijnlaan 3  
BE-8600 Diksmuide