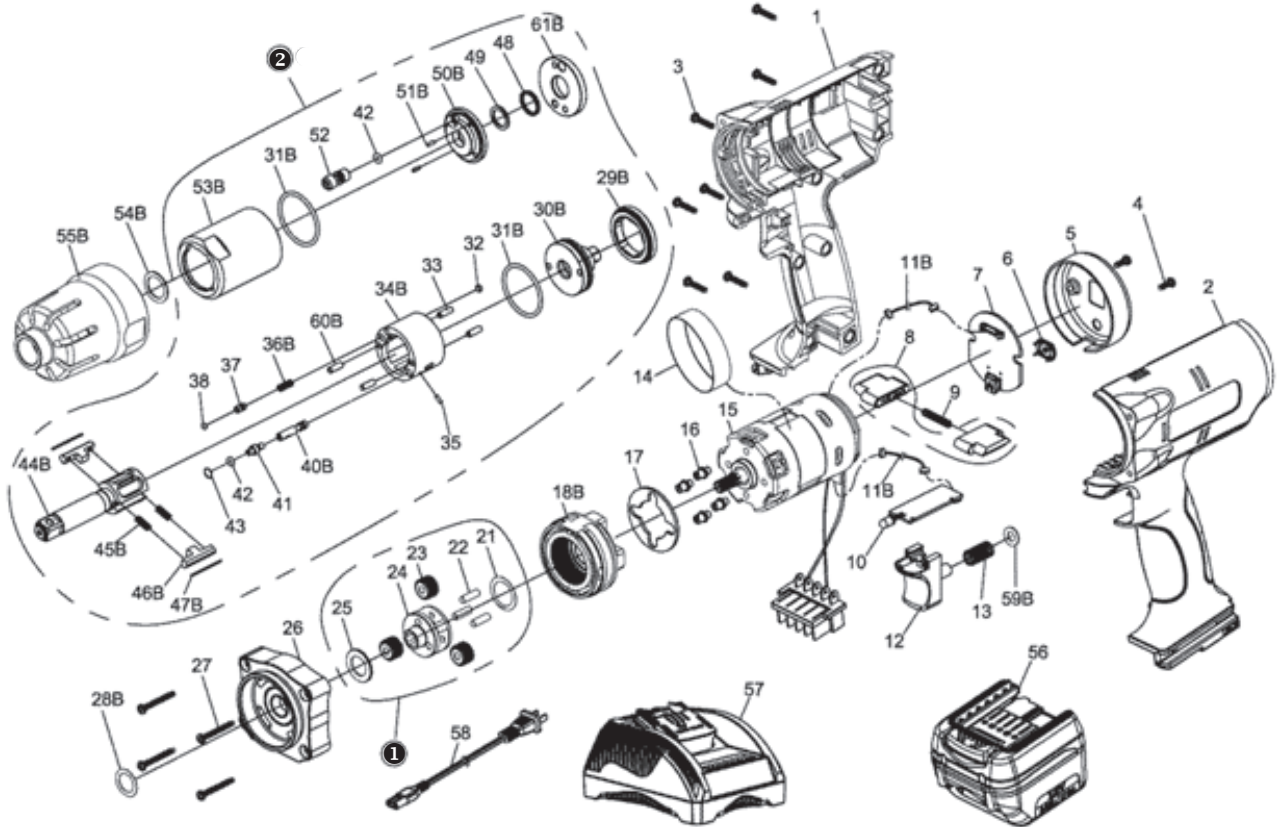


RRI-BIM35T

CORDLESS SHUT OFF IMPULSE TOOL



Index No	Part No.	Description	Q'ty
1	C01PW35#G2	Upper Housing	1
2	C02PW35#G2	Lower Housing	1
3	000-0930	Screw (Ø3×14L)	7
4	000-0831	Screw (Ø3×8L)	2
5	C10PW15#W2	Cover	1
6	C09PW15-3#W2	Button	1
7	E76PW15-1	LED Indicator Board	1
8	B09PW15-1#B1	F/R Valve (1set×2pcs)	1
9	D48PW15-1	Spring	1
10	E76PW15	PC Board	1
11B	E86SC	Connector Wire	2
12	B09PW15#B1	Trigger Assembly	1
13	D48PW15	Spring	1
14	C39PW15	Ring	1
15	B83PW25-1	Brushless Motor ;w/driver	1
16	D54PW15	Screw	4
17	C39PW15-1	Washer	1
18B	B50PW35-1	Gear Box Assembly	1
①	B51PW35	Gear Cage Assembly	1
21	D39PW15-1	Washer	1
22	000-3440	Pin	3
23	D49PW35-1	Planet Gear	3
24	D51PW35	Gear Cage	1
25	D39PW15	Washer	1
26	B52PW15#BW	Housing Cover Assembly	1
27	000-0840	Screw (Ø4×25L)	4
28B	I40S-423	Washer	1
②	BI40SD-400ASM	Pulse unit	1
29	I40S-402	Lock Nut	1*
30	I40S-415	Rear Plate	1*

Index No	Part No.	Description	Q'ty
31B	00-41160	O-Ring	1*
32	I40S-454	Block Cap	1*
33	00-3407	Pin	2*
34B	I70-404-B	Pulse Cylinder	1*
35	00-3436	Pin	1*
60B	00-3435	Pin	2*
36B	I70S-453	Spring	1*
37	IS40S-421	Pressure Valve	1*
38	00-41173	O-Ring	1*
40B	D55PW25	Valve	1*
41	I80-411	Valve Screw	1*
42	00-41113	O-Ring	2*
43	I80-422	Back Up Ring	1*
44B	I70-405-B	Anvil	1*
45B	I70-407	Spring	2*
46B	I70-406-B	Drive Blade	2*
47B	I70-452	Roller	2*
61B	I70-408	Front Plate	1*
48	00-2602	X-Ring	1*
49	I70-409	Back Up Ring	1*
50B	I70-403	Front Cover	1*
51B	00-3318	Spring Pin	2*
52	I70-410	Greasing Screw	1*
53B	I70-401	Pulse Cylinder Seat	1*
54B	I40S-424	Washer	1
55B	B41PW35#BW	Front Cover Assembly	1
56	BB180C-320	18V Li-ion 2.0Ah Battery	1
57	B84192B	Battery Charger	1
58	E86B	Power Cord	1
59B	C39PW15-3	Washer	1