

REVISION	
1	4226
2	4463
3	4753
4	5212
5	5454
6	
7	
8	
9	
10	
11	
12	
13	
14	
15	
16	
17	
18	
19	
20	

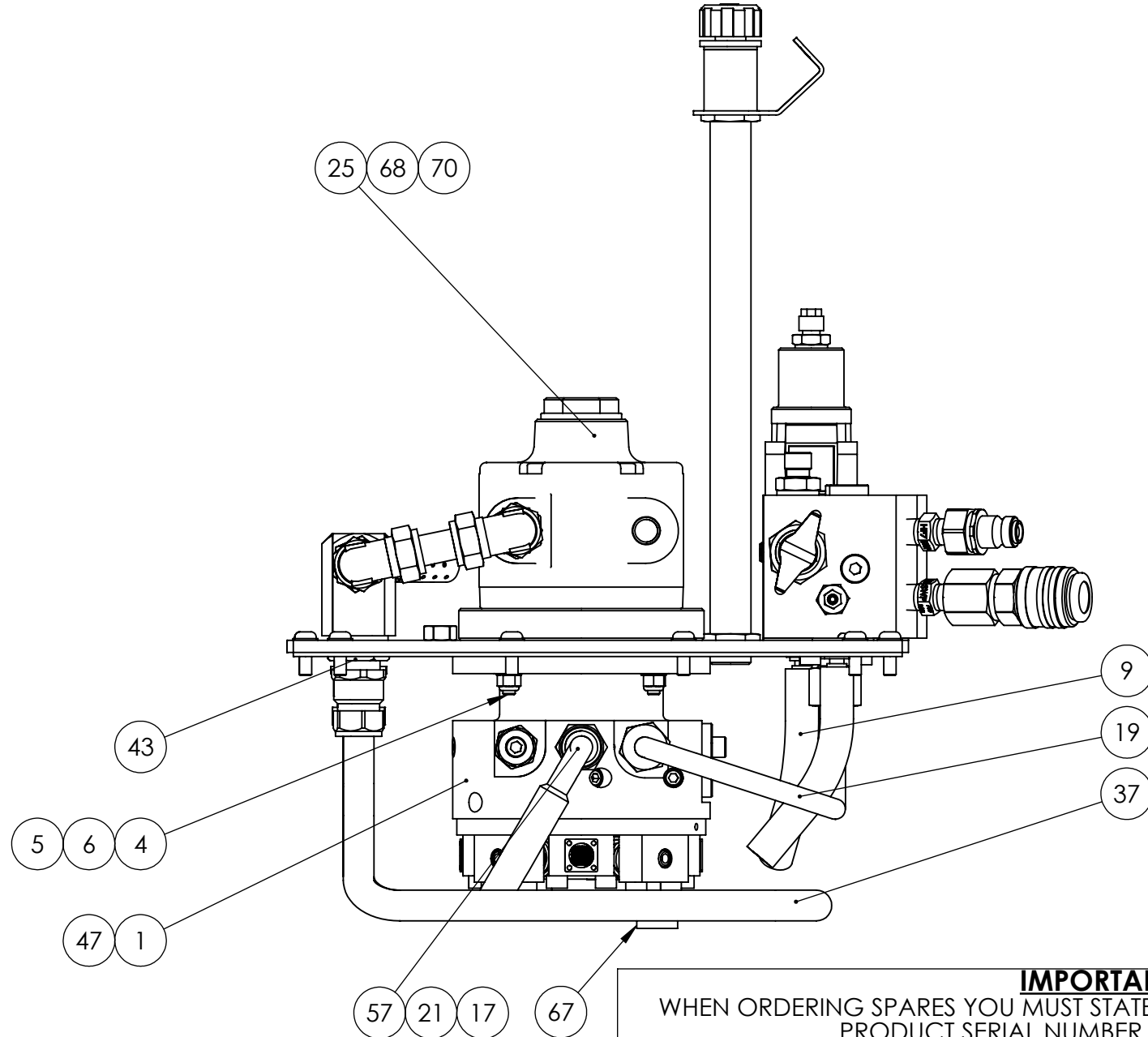
IMPORTANT
WHEN ORDERING SPARES YOU MUST STATE THE FULL PART NUMBER AND THE PRODUCT SERIAL NUMBER - FROM THE LABEL TO PROTECT YOUR WARRANTY ALWAYS USE GENUINE HI-FORCE PARTS.

ITEM NO.	PART NUMBER	DESCRIPTION	QTY.	ITEM NO.	PART NUMBER	DESCRIPTION	QTY.	ITEM NO.	PART NUMBER	DESCRIPTION	QTY.	REVISION
1	PMA012DT001	TPA PUMP HEART	1	32	SFC150CC001	MOUNTING PLATE	1	61	SEC013RA001	O-RING	1	1 4226
2	TAC007BL001	TANK LID	1	33	FPC010LK001	MALE CONNECTOR	1	62	HOC010KS001	MUFFLER	1	2 4463
3	BLC005HF010	M6x16 CK SCREW	2	34	FPC013ZB001	ELBOW	2	63	FPC020AM002	BARREL	1	3 4753
4	BLC006ST000	M6X35MM ENGINEERING STUD	4	35	X	DOWTY WASHER	2	64	FPC020AM003	EXTENSION TUBE	1	4 5212
5	WAC006AF000	M6 WASHER	14	36	X	DOWTY WASHER	1	65	SFC002HC003	FILLER BRACKET	1	5 5454
6	NUC006JC000	M6 NUT	14	37	HOC015PC005	TUBE ASSEMBLY	1	66	NUC020LB000	LOCK NUT	2	6
7	TAC007AL001	OIL RESERVOIR	1	38	BPC020SP001	FILLER	1	67	DCSF00328	MAGNET	1	7
8	VFC006RN002	VALVE BLOCK	1	39	FPC010DM001	STUD ELBOW (AIR)	4	68	MCC200MB001	FLANGE	1	8
9	HOC006AB005	RETURN HOSE	1	40	FPC010UM001	TEE	1	69	FPC010BF002	NIPPLE 1/4 NPT X 3/8 BSP	1	9
10	CM4F	COUPLER	1	41	FFC010RK001	SILENCER	1	70	BLC006FD020	1/4 x 3/4 Unc Socket Head Cap Screw	3	10
11	CF4F	COUPLER	1	42	FPC006YC001	STUD COUPLING (AIR)	1	71	FPC006YK001	3/8" BSPT X 1/4 NPT ADAPTOR	1	11
12	TAC000FT006	LEVEL TEMP GAUGE	1	43	NUC021-B000	THIN NUT	2	72	FPC010WK001	15mm OD x 3/8" BSPT FEMALE STUD COUPLING	1	12
13	TAC007CS001	ROLL FRAME	1	44	TAC010GA011	GAUGE PLATE	1					13
14	BLC006JC012	M6x16 SOCKET CAP HD SCREW	8	45	HG1-TG	PRESSURE GAUGE	1					14
15	WAC006EB000	M6 WASHER	12	46	FPC006QB003	ADAPTOR	1					15
16	BLC006JH018	BUTTON HEAD SCREW	12	47	X	O-RING	1					16
17	X	DOWTY WASHER	2	48	HOC010AB003	AIR HOSE	1					17
18	X	BUTTON HEAD SCREW	8	49	AAN000UP001	NAMEPLATE	1					18
19	HOC010PS002	PRE BENT TUBE ASSEMBLY	1	50	FAS002HZ001	HAMMER DRIVE SCREW	2					19
20	HF7	1/4" NPT MALE ADAPTOR	2	51	FPC006PB002	BLANKING PLUG	2					20
21	FPC010NB001	REDUCER	1	52	FPC010EK001	COMPRESSION ELBOW	2					
22	FPC003PB001	BLANKING PLUG	1	53	FPC003TB001	TEE	1					
23	VFA003CS002	SHUTTLE VALVE	1	54	MCC000AF005.G	GAUGE	1					
24	VFA013CD003	PILOT OPERATED VALVE	1	55	HOC002AP001	GAUGE TUBE	1					
25	AM6	AIR MOTOR	1	56	BLC006JH020	BUTTON HEAD SCREW	2					
26	FPC010NC001	NIPPLE	1	57	HOC010AB004	RETURN HOSE	1					
27	MCC000AF005	FILTER/REGULATOR/LUBRICATOR UNIT	1	58	X	VALVE GASKET	1					
28	FPC010AN003	ADAPTOR	1	59	X	TANK GASKET	1					
29	FPC003NC001	NIPPLE	1	60	FPC012PM002	PLUG	1					
30	VFC000CD011	AIR PILOT VALVE	1									
31	VFA003BH002	AIR PENDANT ASSEMBLY	1									

NOTE: PARTS MARKED X ARE AVAILABLE IN TPATP1-K SEAL KIT ONLY

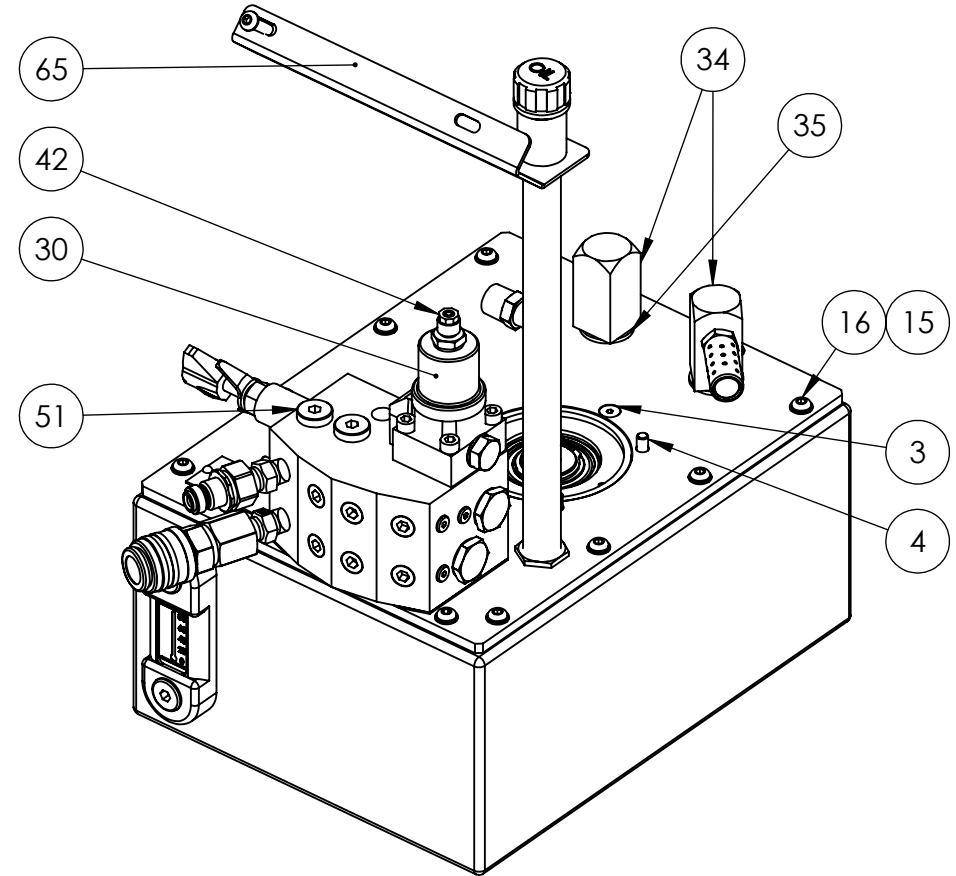
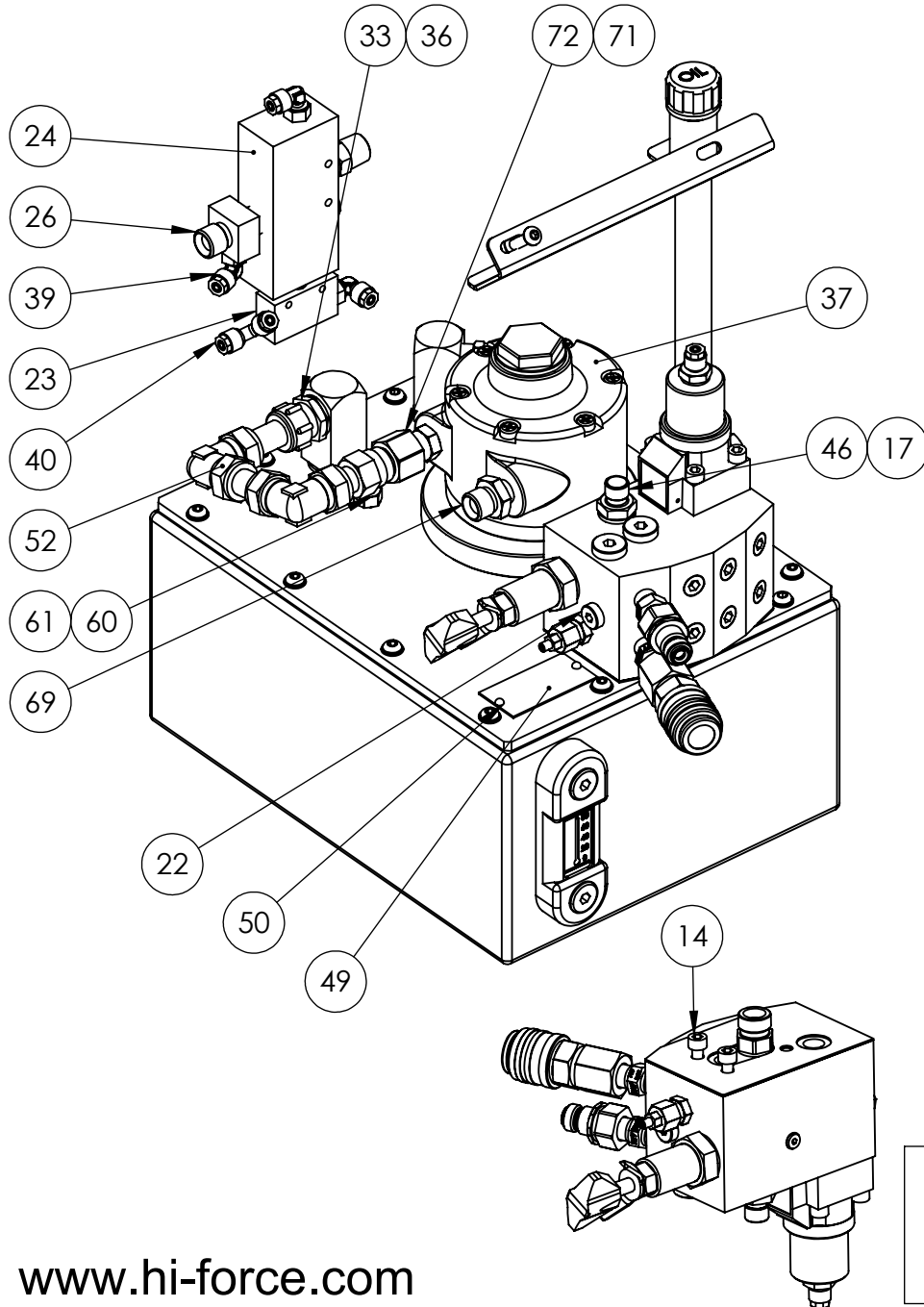
IMPORTANT

WHEN ORDERING SPARES YOU MUST STATE THE FULL PART NUMBER AND THE PRODUCT SERIAL NUMBER - FROM THE LABEL TO PROTECT YOUR WARRANTY ALWAYS USE GENUINE HI-FORCE PARTS.



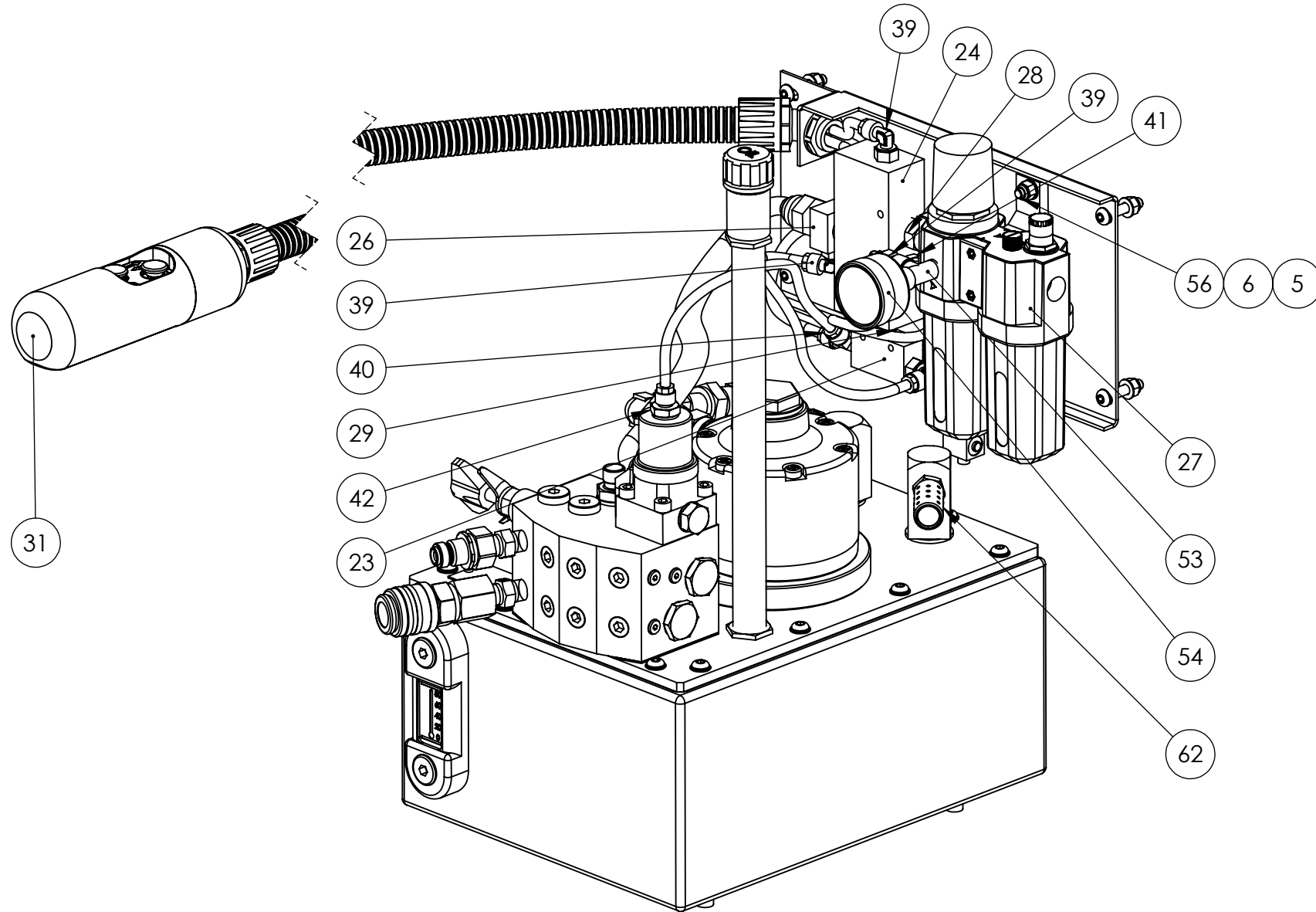
REVISION	
1	4226
2	4463
3	4753
4	5212
5	5454
6	
7	
8	
9	
10	
11	
12	
13	
14	
15	
16	
17	
18	
19	
20	

IMPORTANT
WHEN ORDERING SPARES YOU MUST STATE THE FULL PART NUMBER AND THE PRODUCT SERIAL NUMBER - FROM THE LABEL TO PROTECT YOUR WARRANTY ALWAYS USE GENUINE HI-FORCE PARTS.



REVISION	
1	4226
2	4463
3	4753
4	5212
5	5454
6	
7	
8	
9	
10	
11	
12	
13	
14	
15	
16	
17	
18	
19	
20	

IMPORTANT
WHEN ORDERING SPARES YOU MUST STATE THE FULL PART NUMBER AND THE PRODUCT SERIAL NUMBER - FROM THE LABEL TO PROTECT YOUR WARRANTY ALWAYS USE GENUINE HI-FORCE PARTS.

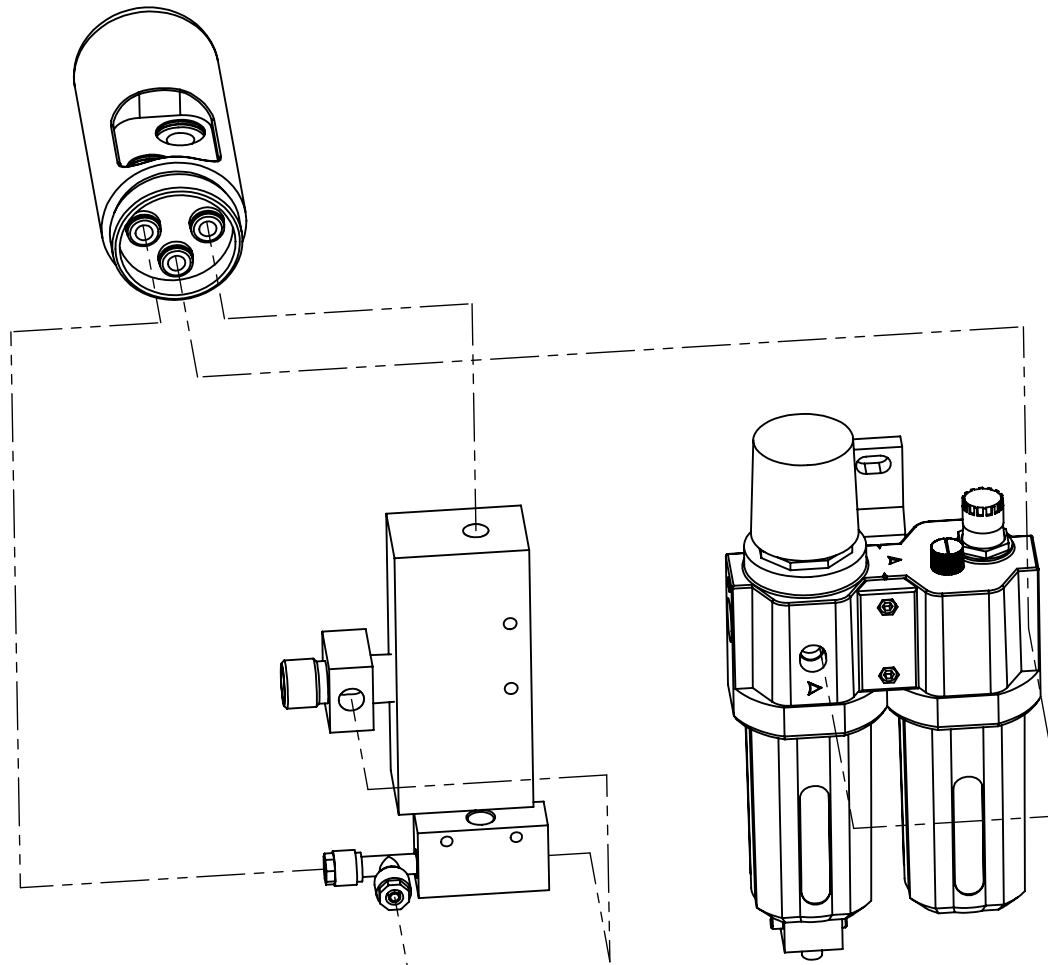


REVISION

1	4226
2	4463
3	4753
4	5212
5	5454
6	
7	
8	
9	
10	
11	
12	
13	
14	
15	
16	
17	
18	
19	
20	

IMPORTANT

WHEN ORDERING SPARES YOU MUST STATE THE FULL PART NUMBER AND THE PRODUCT SERIAL NUMBER - FROM THE LABEL TO PROTECT YOUR WARRANTY ALWAYS USE GENUINE HI-FORCE PARTS.

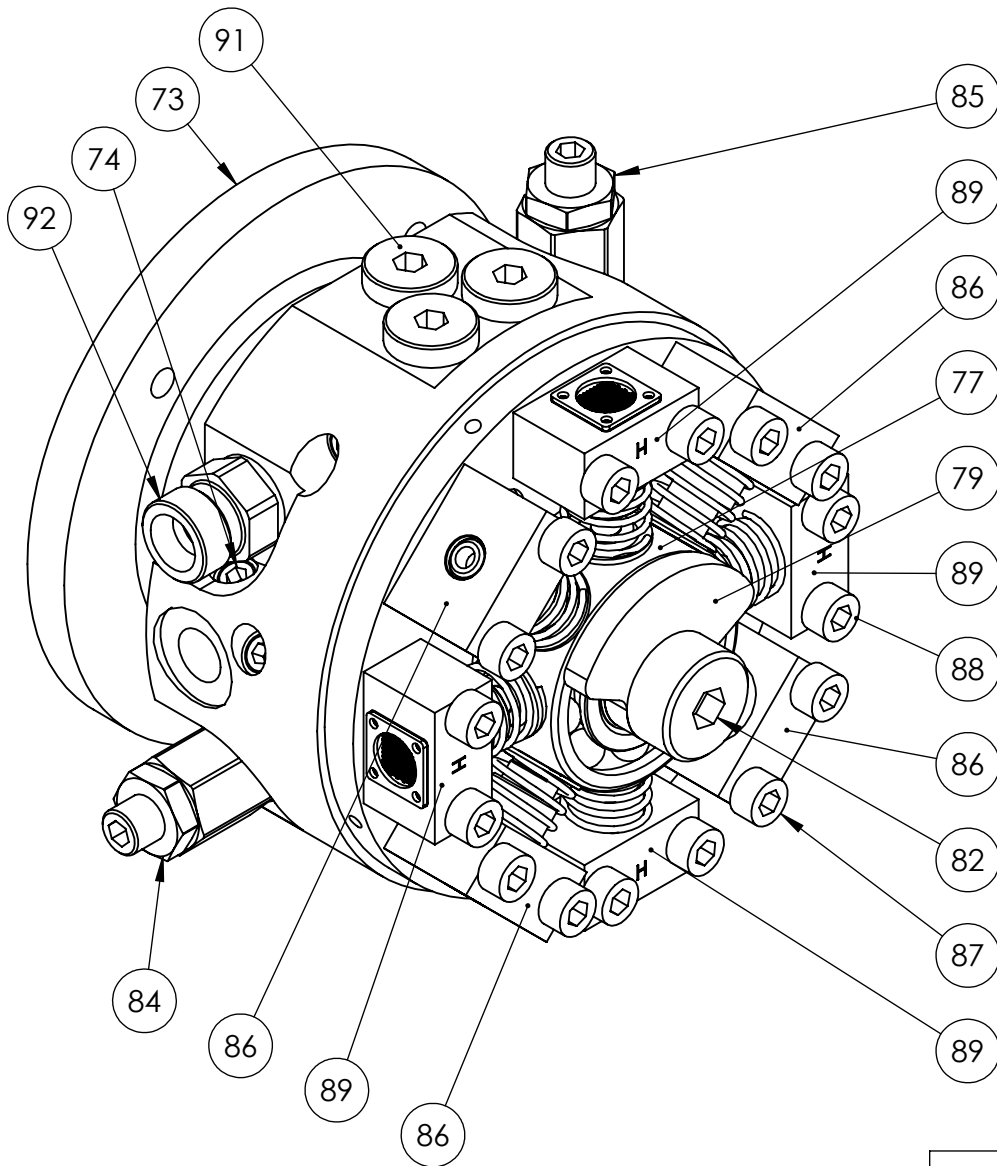


PNEUMATIC HOSE LAYOUT

REVISION

1	4226
2	4463
3	4753
4	5212
5	5454
6	
7	
8	
9	
10	
11	
12	
13	
14	
15	
16	
17	
18	
19	
20	

IMPORTANT
WHEN ORDERING SPARES YOU MUST STATE THE FULL PART NUMBER AND THE PRODUCT SERIAL NUMBER - FROM THE LABEL TO PROTECT YOUR WARRANTY ALWAYS USE GENUINE HI-FORCE PARTS.



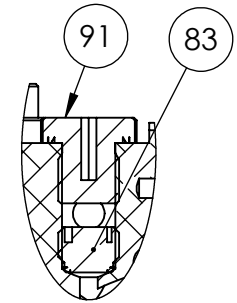
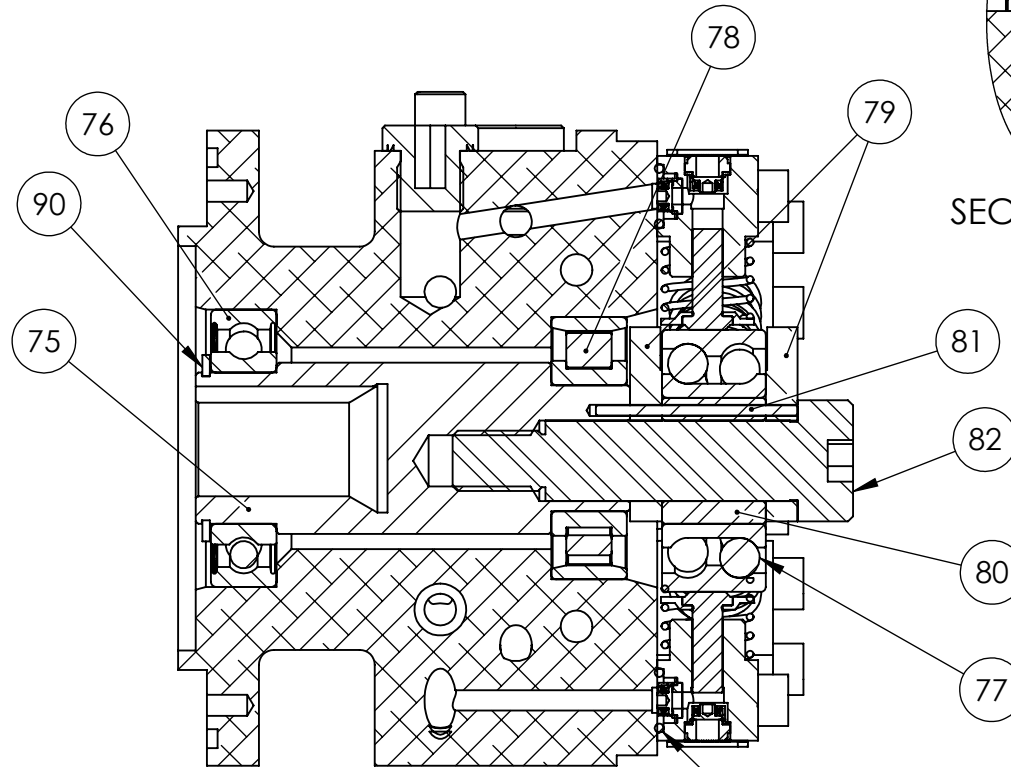
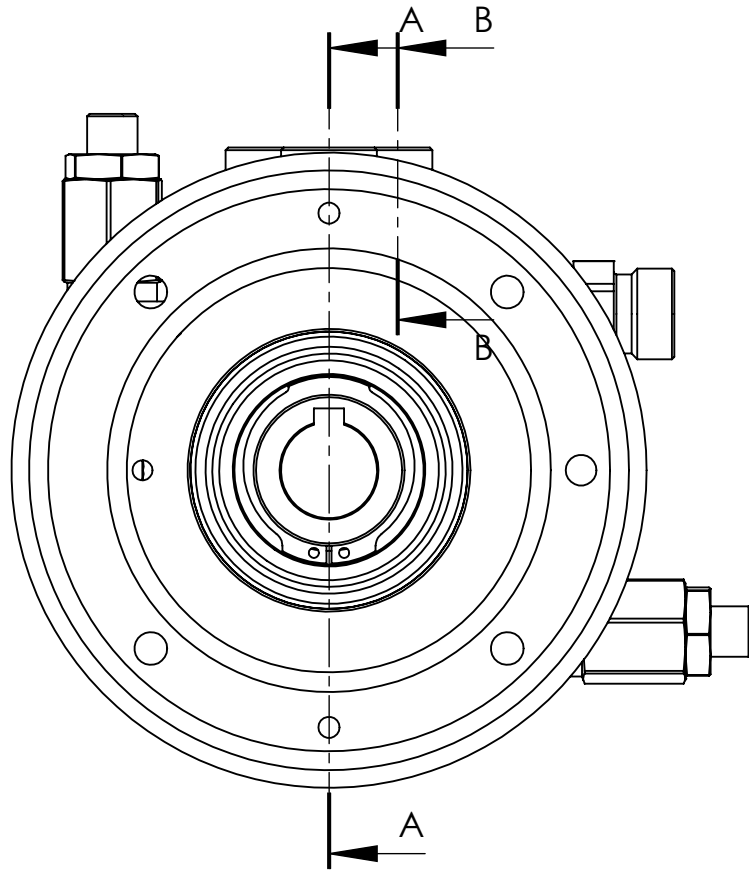
ITEM NO.	PART NUMBER	DESCRIPTION	QTY.
73	PMC000KM002	PUMP BODY	1
74	FPC002PN001	PLUG	11
75	PMC019SM001	DRIVE SHAFT	1
76	BSC030MC001	DEEP GROOVE BALL BEARING	1
77	BSC025ME001	DOUBLE ROW BEARING	1
78	BSC025NC001	CYLINDRICAL ROLLER BEARING	1
79	PMC019EM001	COUNTERWEIGHT	2
80	PMC019RM001	BUSH	1
81	PCC002FE001	LOCATING PIN	1
82	BLC016NS050	SHOULDER SCREW	1
83	VFA006FH001	CHECK VALVE	2
84	VRC065UF001	UNLOADING VALVE 65 BAR	1
85	VRC320UF001	UNLOADING VALVE 320 BAR	1
86	PEA011AA001	LP PISTON BLOCK	4
87	BLC006JD035	M6x16 SOCKET CAP HD SCREW	8
88	BLC006JD030	M6x16 SOCKET CAP HD SCREW	8
89	PEA006AA002	HP PISTON BLOCK	4
90	STC030CA002	CIRCLIP	1
91	FPC006PB002	BLANKING PLUG	3
92	FPC006YW001	COUPLING BODY	1

REVISION

1	4226
2	4463
3	4753
4	5212
5	5454
6	
7	
8	
9	
10	
11	
12	
13	
14	
15	
16	
17	
18	
19	
20	

IMPORTANT

WHEN ORDERING SPARES YOU MUST STATE THE FULL PART NUMBER AND THE PRODUCT SERIAL NUMBER - FROM THE LABEL TO PROTECT YOUR WARRANTY ALWAYS USE GENUINE HI-FORCE PARTS.



SECTION B-B

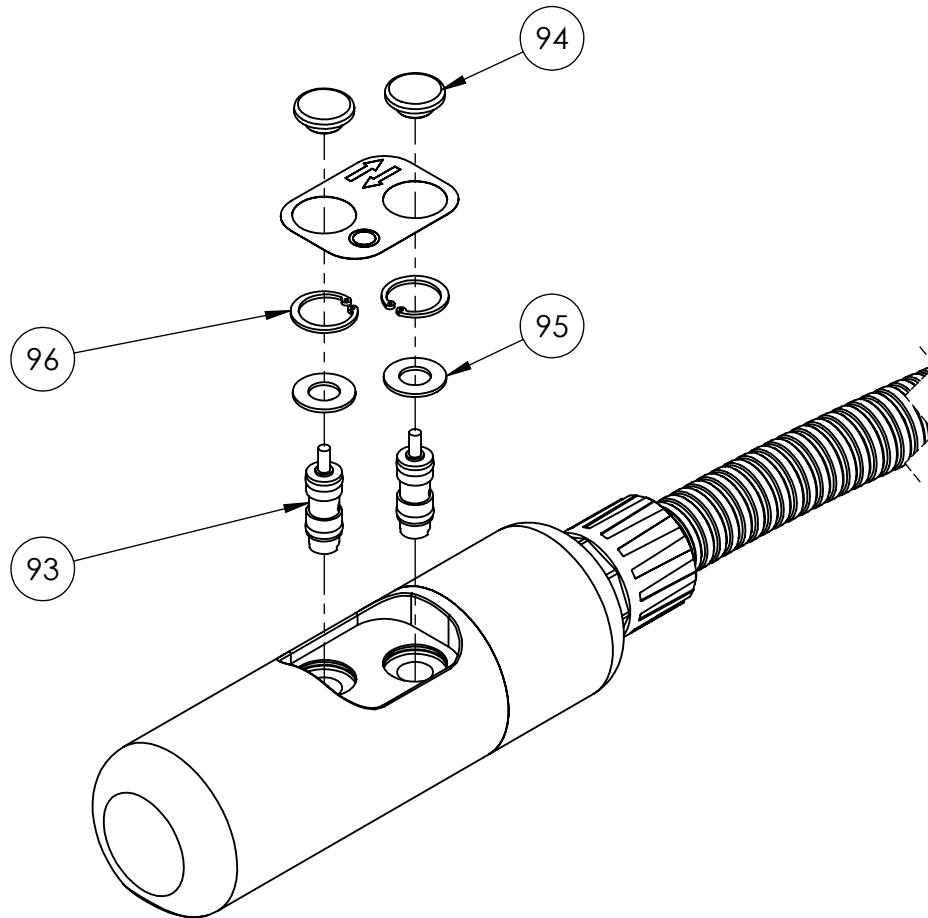
SECTION A-A

O-RING INCLUDED IN
SEAL KIT TPATP1-K

REVISION

1	4226
2	4463
3	4753
4	5212
5	5454
6	
7	
8	
9	
10	
11	
12	
13	
14	
15	
16	
17	
18	
19	
20	

IMPORTANT
WHEN ORDERING SPARES YOU MUST STATE THE FULL PART NUMBER AND THE
PRODUCT SERIAL NUMBER - FROM THE LABEL
TO PROTECT YOUR WARRANTY ALWAYS USE GENUINE HI-FORCE PARTS.

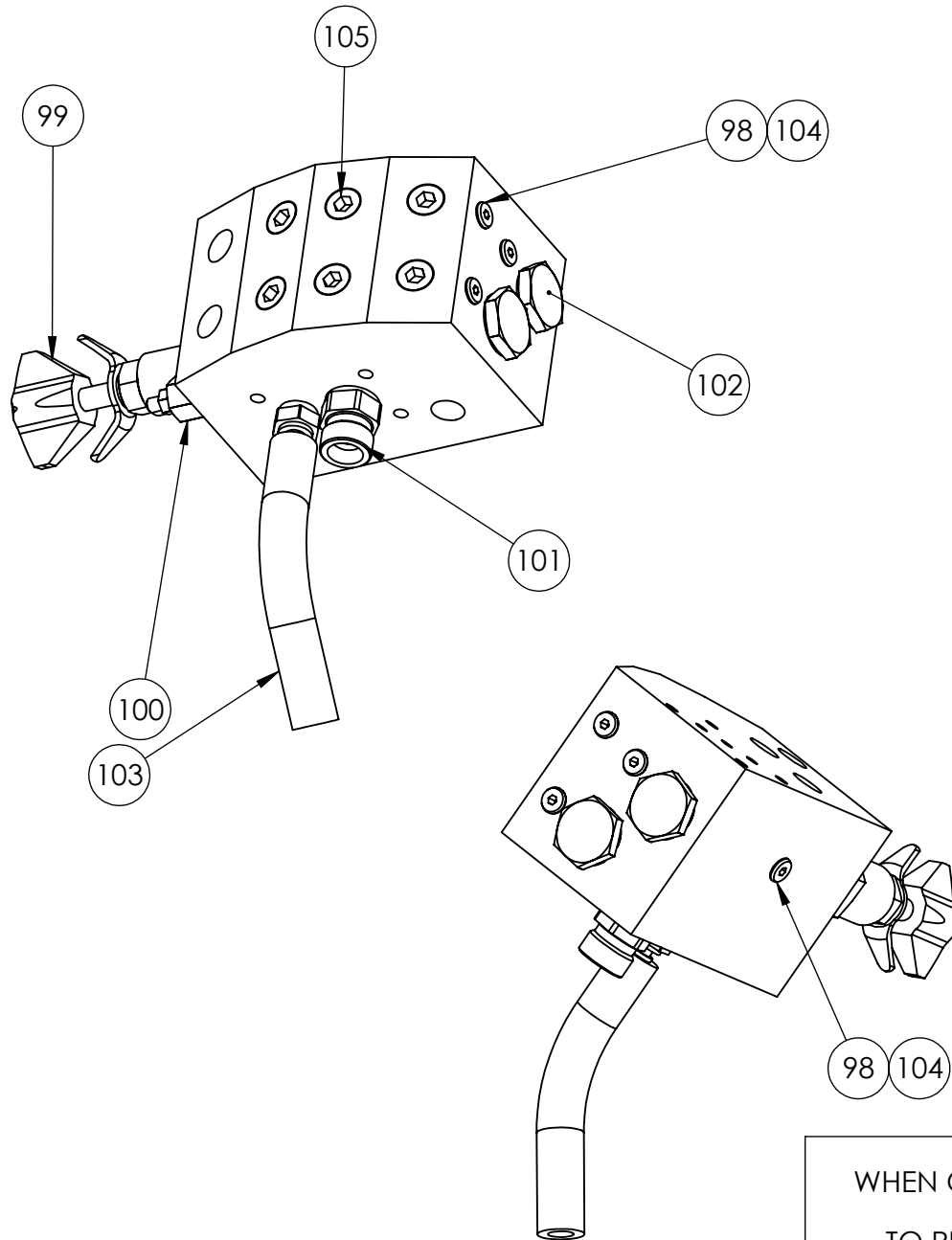


ITEM NO.	PART NUMBER	DESCRIPTION	QTY.
93	VFC000CH001	CARTRIDGE VALVE	2
94	VFC000CK001	PUSH BUTTON	2
95	WAC008JB000	M8 WASHER	2
96	STC017BA001	RETAINING CLIP	2

REVISION

1	4226
2	4463
3	4753
4	5212
5	5454
6	
7	
8	
9	
10	
11	
12	
13	
14	
15	
16	
17	
18	
19	
20	

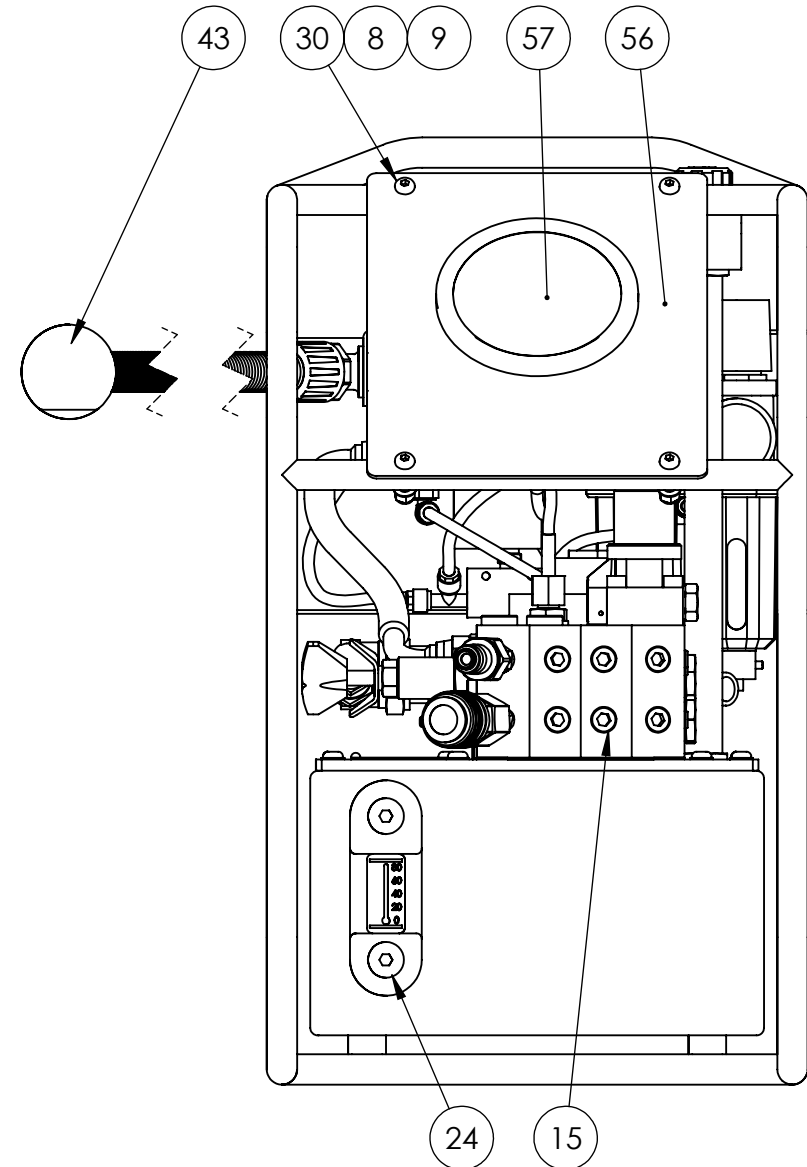
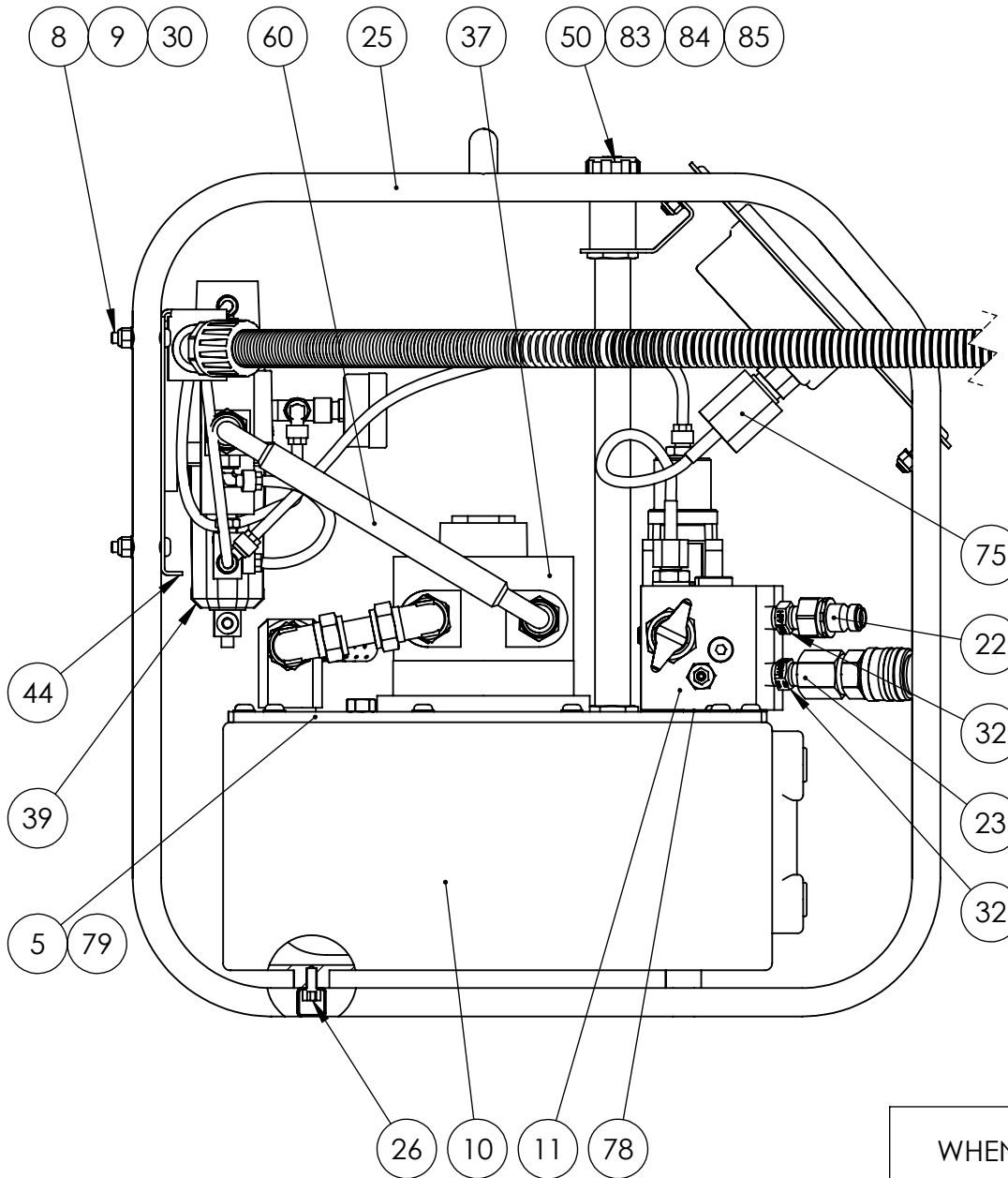
IMPORTANT
WHEN ORDERING SPARES YOU MUST STATE THE FULL PART NUMBER AND THE
PRODUCT SERIAL NUMBER - FROM THE LABEL
TO PROTECT YOUR WARRANTY ALWAYS USE GENUINE HI-FORCE PARTS.



ITEM NO.	PART NUMBER	DESCRIPTION	QTY.
97	VFC006RN002	VALVE BLOCK	1
98	FPC008PM003	PLUG	4
99	VRC700ZE002	ADJUSTABLE RELIEF VALVE	1
100	VRC080ZF001	LOW PRESSURE RELIEF VALVE	1
101	FPC006YW001	COUPLING BODY	1
102	VFA000LH001	PILOT OPERATED VALVE	2
103	HOC006AB005	RETURN HOSE	1
104	SEC008RA002	O-RING	4
105	FPC006PN001	1/4 NPT Plug	6

REVISION	
1	4226
2	4463
3	4753
4	5212
5	5454
6	
7	
8	
9	
10	
11	
12	
13	
14	
15	
16	
17	
18	
19	
20	

IMPORTANT
WHEN ORDERING SPARES YOU MUST STATE THE FULL PART NUMBER AND THE
PRODUCT SERIAL NUMBER - FROM THE LABEL
TO PROTECT YOUR WARRANTY ALWAYS USE GENUINE HI-FORCE PARTS.



REVISION

1	4226
2	4463
3	4753
4	5212
5	
6	
7	
8	
9	
10	
11	
12	
13	
14	
15	
16	
17	
18	
19	
20	

IMPORTANT

WHEN ORDERING SPARES YOU MUST STATE THE FULL PART NUMBER AND THE PRODUCT SERIAL NUMBER - FROM THE LABEL TO PROTECT YOUR WARRANTY ALWAYS USE GENUINE HI-FORCE PARTS.

ITEM NO.	PART NUMBER	DESCRIPTION	QTY.
1	PMA019DT001	PUMP HEART	1
2	FFS124MY001	FILTER WELD ASSEMBLY	1
3	FFC123EY001	STRAINER	1
4	BLC004-H008	BUTTON HEAD SCREW	4
5	TAC007BL001	TANK LID	1
6	BLC005HF010	SKT CSK SCREW	2
7	BLC006ST000	M6X35MM ENGINEERING STUD	4
8	WAC006AF000	WASHER	14
9	NUC006JC000	NYLOK NUT	14
10	TAC007AL001	OIL RESERVOIR	1
11	VFC006RN002	VALVE BLOCK	1
12	FPC008PM003	PLUG	14
13	VRC700ZE002	ADJUSTABLE RELIEF VALVE	1
14	VRC080ZF001	LOW PRESSURE RELIEF VALVE	1
15	FPC006PN001	PLUG	6
16	FPC006YW001	COUPLING BODY	1
17	BAC005SN001	3/16 BALL	2
18	FAS006ME006	CUP PT SCREW	2
19	VFA000LH001	PILOT OPERATED VALVE	2
20	HOC006AB005	RETURN HOSE	2
21	SEC008RA002	O-RING	14
22	CM4F	COUPLER	1
23	CF4F	COUPLER	1
24	TAC000FT006	LEVEL TEMP GAUGE	1
25	TAC007CS001	ROLL FRAME	1
26	BLC006JC012	SOCKET CAP HD SCREW	8
27	WAC006EB000	WASHER	12
28	BLC006JH016	BUTTON HEAD SCREW	12
29	x	DOWTY WASHER	2
30	X	BUTTON HEAD SCREW	8
31	HOC010PS002	PRE BENT TUBE ASSEMBLY	1
32	HF7	1/4" NPT MALE ADAPTOR	2
33	FPC010NB001	REDUCER	1
34	FPC003PB001	BLANKING PLUG	1
35	VFA003CS002	SHUTTLE VALVE	1
36	VFA013CD003	PILOT OPERATED VALVE	1
37	AM5	MOTOR (see note)	1
38	FPC010NC001	NIPPLE	1
39	MCC000AF005	FILTER REGULATOR LUBRICATOR	1
40	FPC010AN003	ADAPTOR	2
41	FPC003NC001	NIPPLE	1
42	VFC000CD011	AIR PILOT VALVE	1

ITEM NO.	PART NUMBER	DESCRIPTION	QTY.
43	VFA003BH002	AIR PENDANT ASSEMBLY	1
44	SFC150CC001	MOUNTING PLATE	1
45	FPC010LK001	MALE CONNECTOR	2
46	FPC013ZB001	ELBOW	2
47	X	DOWTY WASHER	2
48	X	DOWTY WASHER	2
49	HOC015PC005	TUBE ASSEMBLY	1
50	BPC020SP001	FILLER	1
51	FPC010DM001	STUD ELBOW (AIR)	4
52	FPC010UM001	TEE	1
53	FFC010RK001	SILENCER	1
54	FPC006YC001	STUD COUPLING (AIR)	1
55	NUC021-B000	THIN NUT	2
56	TAC010GA011	GAUGE PLATE	1
57	HG1-TG	PRESSURE GAUGE	1
58	FPC006QB003	ADAPTOR	1
59	X	O-RING	1
60	HOC010AB003	AIR HOSE	1
61	AAN000UP001	NAMEPLATE	1
62	FAS002HZ001	HAMMER DRIVE SCREW	2
63	FPC006PB002	BLANKING PLUG	2
65	FPC010EK001	COMPRESSION ELBOW	2
73	FPC003TB001	TEE	1
74	MCC000AF005.G	GAUGE	1
75	HOC002AP001	GAUGE TUBE	1
76	BLC006JH020	BUTTON HEAD SCREW	2
77	HOC010AB004	RETURN HOSE	1
78	X	VALVE GASKET	1
79	X	TANK GASKET	1
80	FPC012PM002	PLUG	1
81	SEC013RA001	O-RING	1
82	HOC010KS001	MUFFLER	1
83	FPC020AM002	BARREL	1
84	FPC020AM003	EXTENSION TUBE	1
85	NUC020LB000	LOCK NUT	2
86	SFC002HC003	FILLER BRACKET	1

REVISION

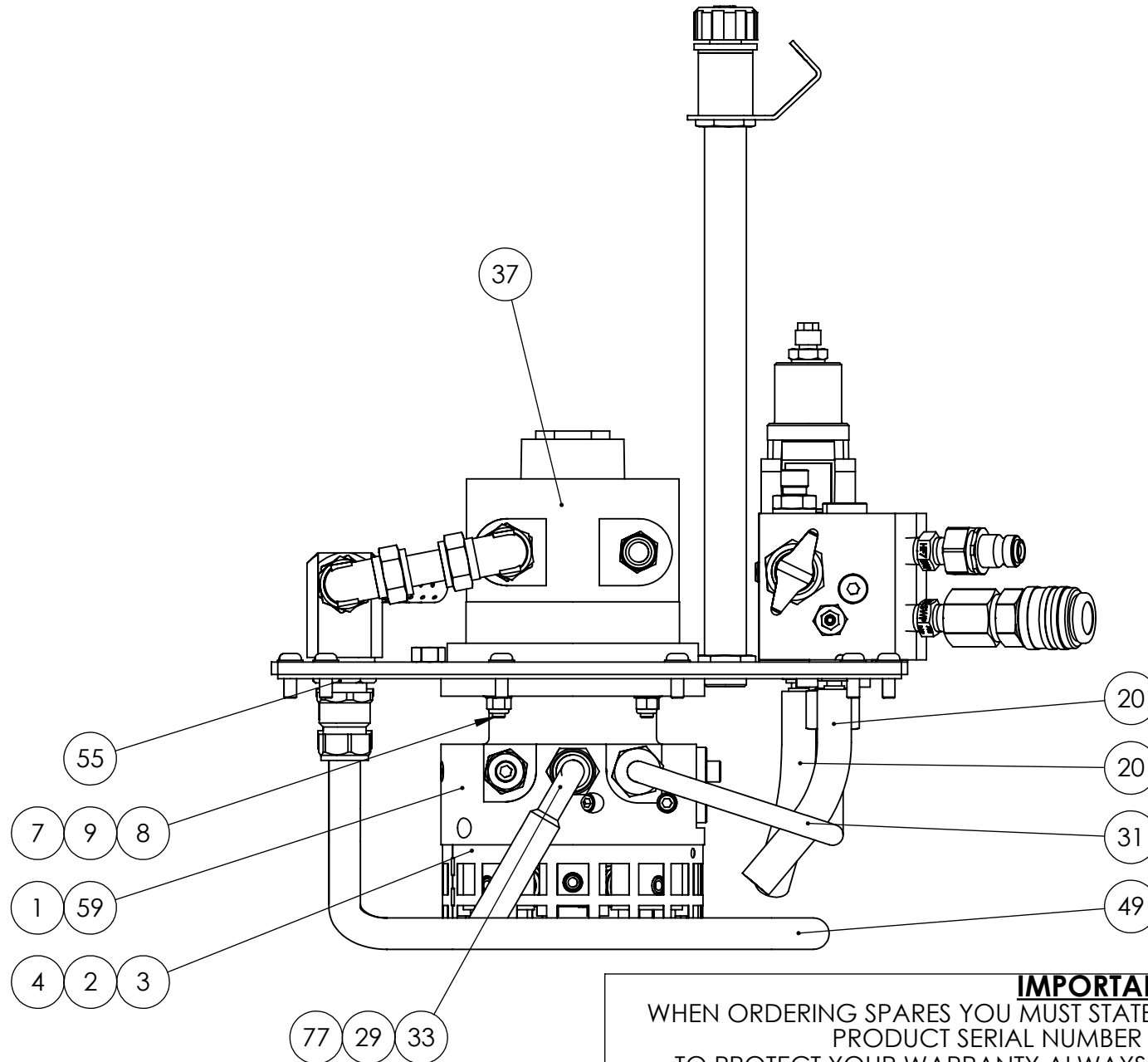
1	4226
2	4463
3	4753
4	5212
5	
6	
7	
8	
9	
10	
11	
12	
13	
14	
15	
16	
17	
18	
19	
20	

PARTS MARKED X ARE AVAILABLE IN TPATP1-K SEAL KIT ONLY

NOTE:
SEAL KIT ALSO INCLUDES SERVICE KIT FOR AIR MOTOR

IMPORTANT

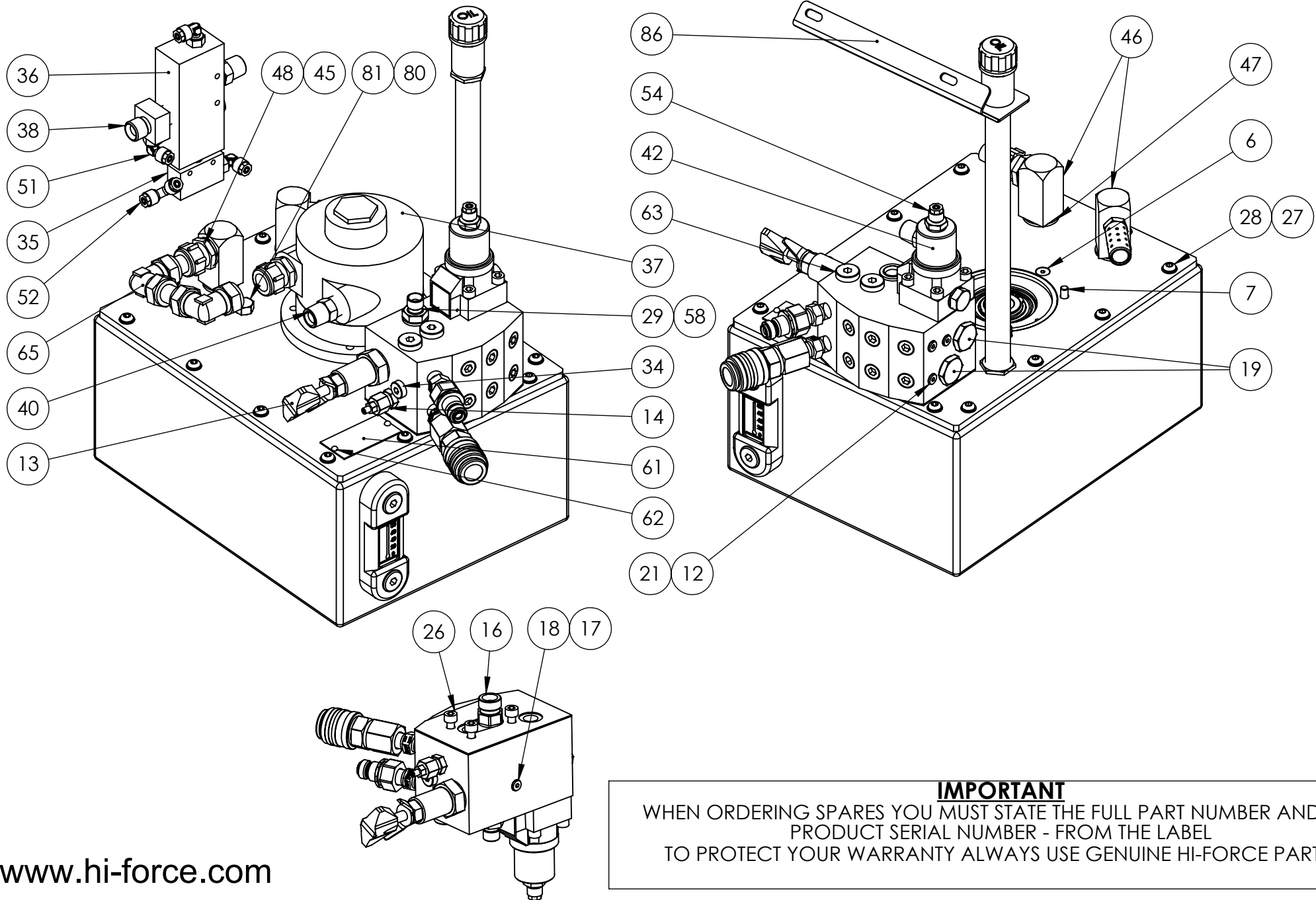
WHEN ORDERING SPARES YOU MUST STATE THE FULL PART NUMBER AND THE PRODUCT SERIAL NUMBER - FROM THE LABEL TO PROTECT YOUR WARRANTY ALWAYS USE GENUINE HI-FORCE PARTS.



REVISION

1	4226
2	4463
3	4753
4	5212
5	
6	
7	
8	
9	
10	
11	
12	
13	
14	
15	
16	
17	
18	
19	
20	

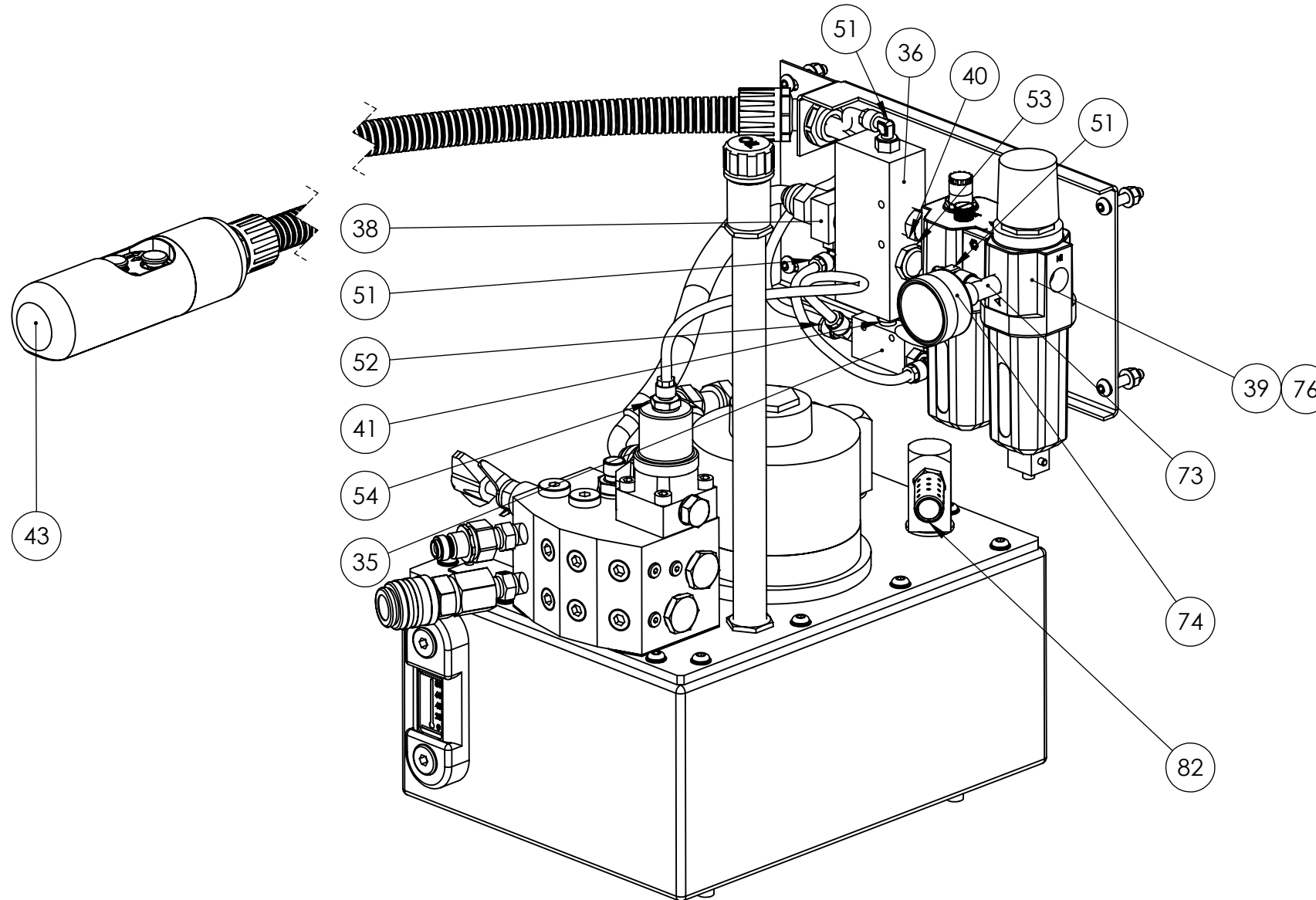
IMPORTANT
WHEN ORDERING SPARES YOU MUST STATE THE FULL PART NUMBER AND THE PRODUCT SERIAL NUMBER - FROM THE LABEL TO PROTECT YOUR WARRANTY ALWAYS USE GENUINE HI-FORCE PARTS.



REVISION

1	4226
2	4463
3	4753
4	5212
5	
6	
7	
8	
9	
10	
11	
12	
13	
14	
15	
16	
17	
18	
19	
20	

IMPORTANT
WHEN ORDERING SPARES YOU MUST STATE THE FULL PART NUMBER AND THE PRODUCT SERIAL NUMBER - FROM THE LABEL TO PROTECT YOUR WARRANTY ALWAYS USE GENUINE HI-FORCE PARTS.

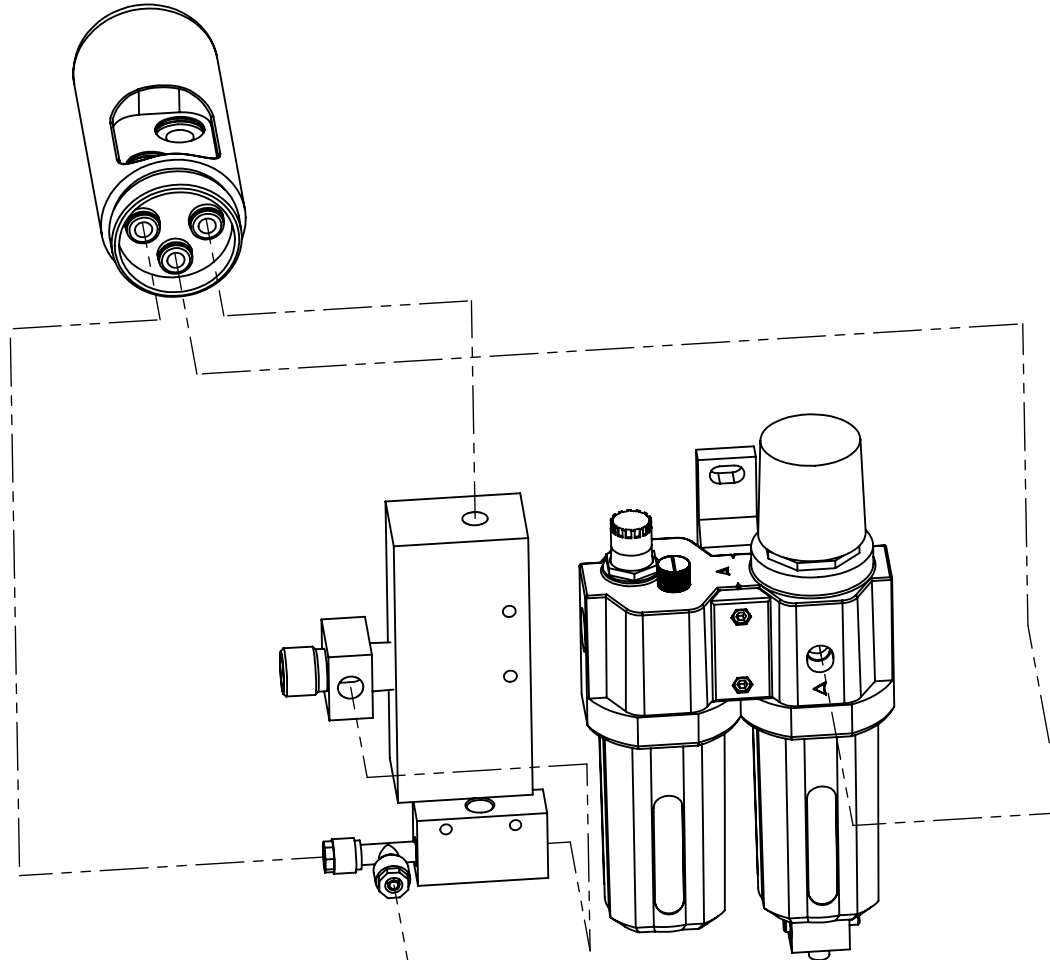


REVISION

1	4226
2	4463
3	4753
4	5212
5	
6	
7	
8	
9	
10	
11	
12	
13	
14	
15	
16	
17	
18	
19	
20	

IMPORTANT

WHEN ORDERING SPARES YOU MUST STATE THE FULL PART NUMBER AND THE PRODUCT SERIAL NUMBER - FROM THE LABEL TO PROTECT YOUR WARRANTY ALWAYS USE GENUINE HI-FORCE PARTS.



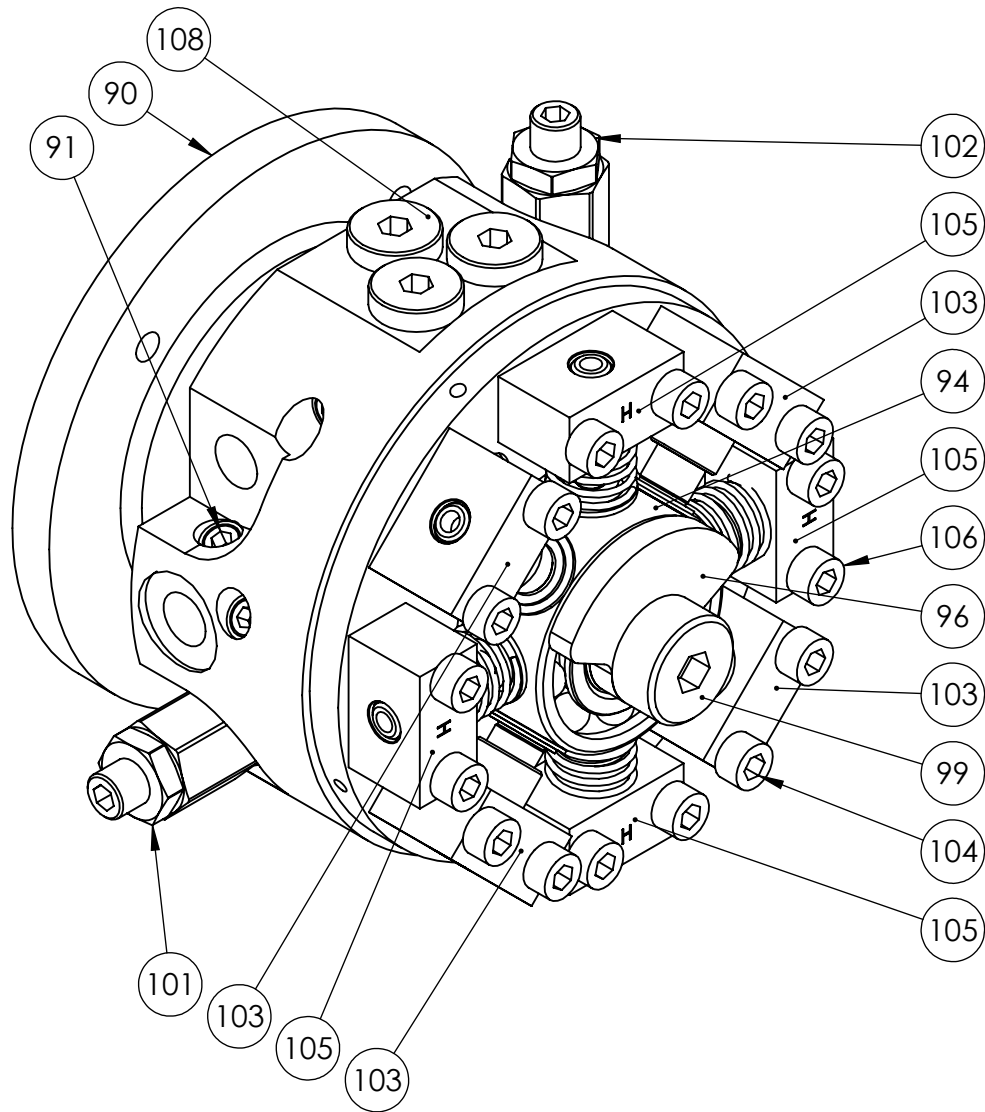
PNEUMATIC HOSE LAYOUT

REVISION

1	4226
2	4463
3	4753
4	5212
5	
6	
7	
8	
9	
10	
11	
12	
13	
14	
15	
16	
17	
18	
19	
20	

IMPORTANT

WHEN ORDERING SPARES YOU MUST STATE THE FULL PART NUMBER AND THE PRODUCT SERIAL NUMBER - FROM THE LABEL TO PROTECT YOUR WARRANTY ALWAYS USE GENUINE HI-FORCE PARTS.

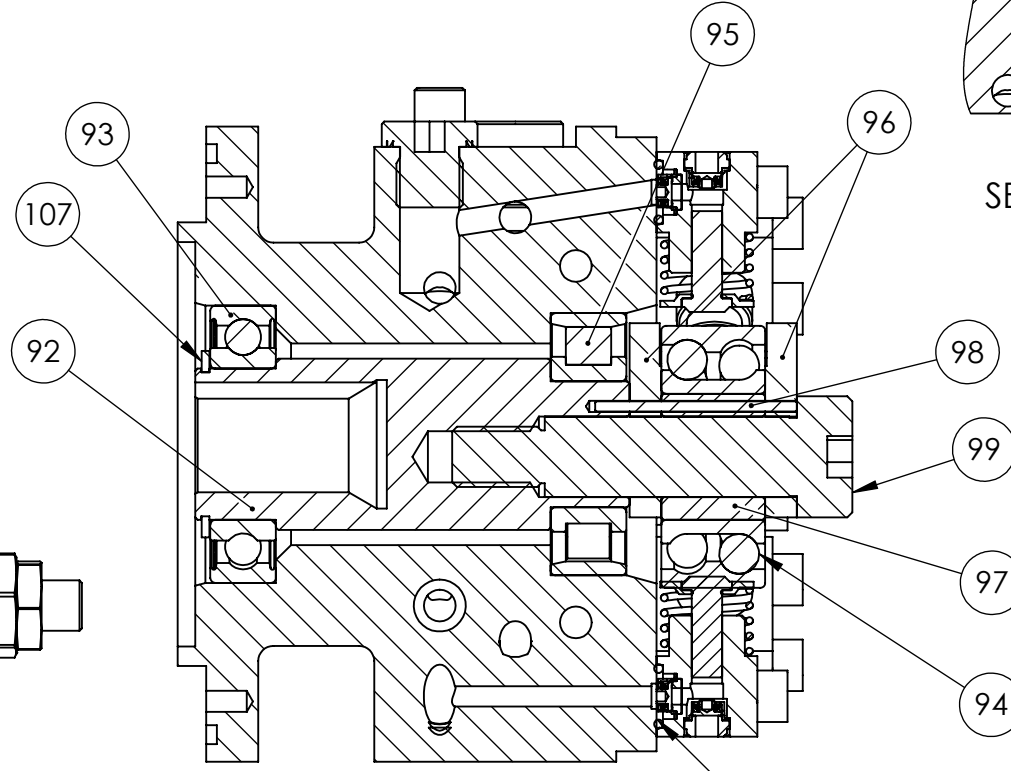
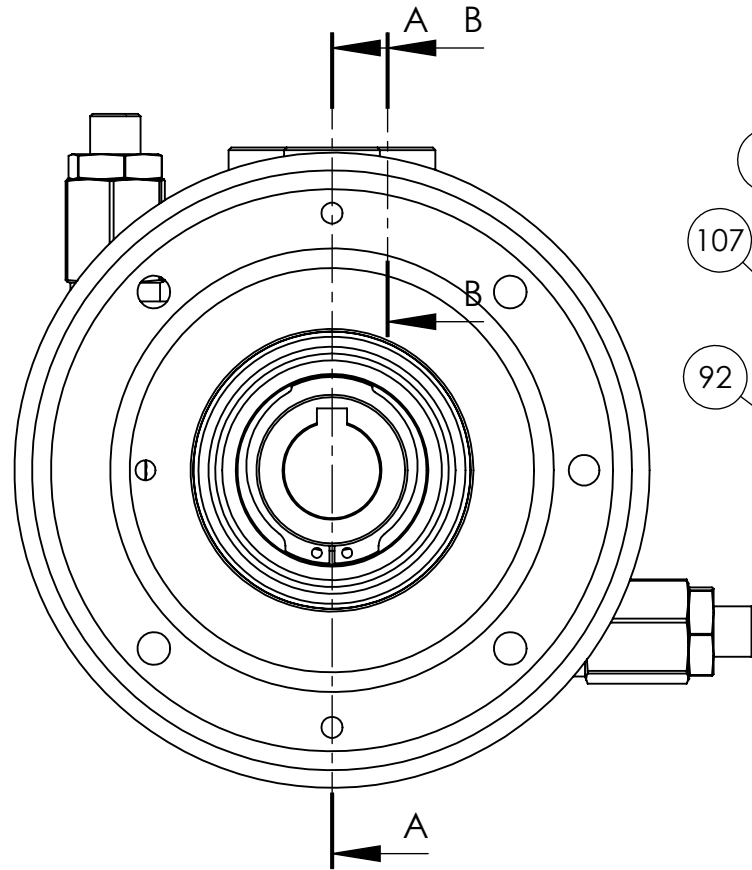


ITEM NO.	PART NUMBER	DESCRIPTION	QTY.
90	PMC000KM002	PUMP BODY	1
91	FPC002PN001	PLUG	11
92	PMC019SM001	DRIVE SHAFT	1
93	BSC030MC001	DEEP GROOVE BALL BEARING	1
94	BSC025ME001	DOUBLE ROW BEARING	1
95	BSC025NC001	CYLINDRICAL ROLLER BEARING	1
96	PMC019EM001	COUNTERWEIGHT	2
97	PMC019RM001	BUSH	1
98	PCC002FE001	LOCATING PIN	1
99	BLC016NS050	SHOULDER SCREW	1
100	VFA006FH001	CHECK VALVE	2
101	VRC065UF001	UNLOADING VALVE 65 BAR	1
102	VRC320UF001	UNLOADING VALVE 320 BAR	1
103	PEA011AA001	LP PISTON BLOCK	4
104	BLC006JD035	SOCKET CAP HD SCREW	8
105	PEA006AA002	HP PISTON BLOCK	4
106	BLC006JD030	SOCKET CAP HD SCREW	8
107	STC030CA002	CIRCLIP	1
108	FPC006PB002	BLANKING PLUG	3

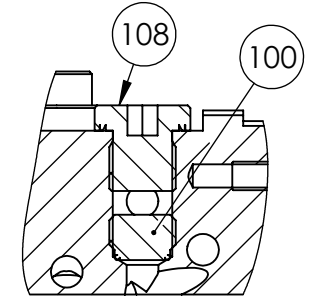
REVISION	
1	4226
2	4463
3	4753
4	5212
5	
6	
7	
8	
9	
10	
11	
12	
13	
14	
15	
16	
17	
18	
19	
20	

IMPORTANT

WHEN ORDERING SPARES YOU MUST STATE THE FULL PART NUMBER AND THE PRODUCT SERIAL NUMBER - FROM THE LABEL TO PROTECT YOUR WARRANTY ALWAYS USE GENUINE HI-FORCE PARTS.



SECTION A-A



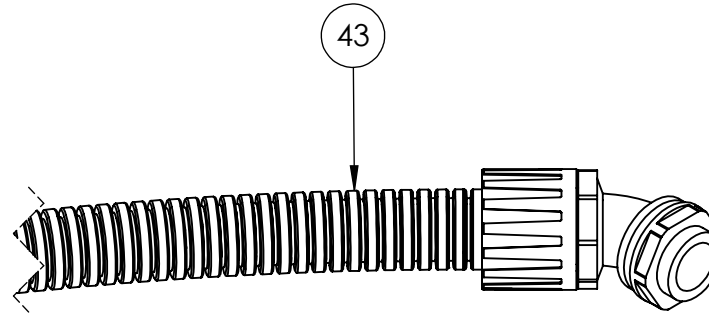
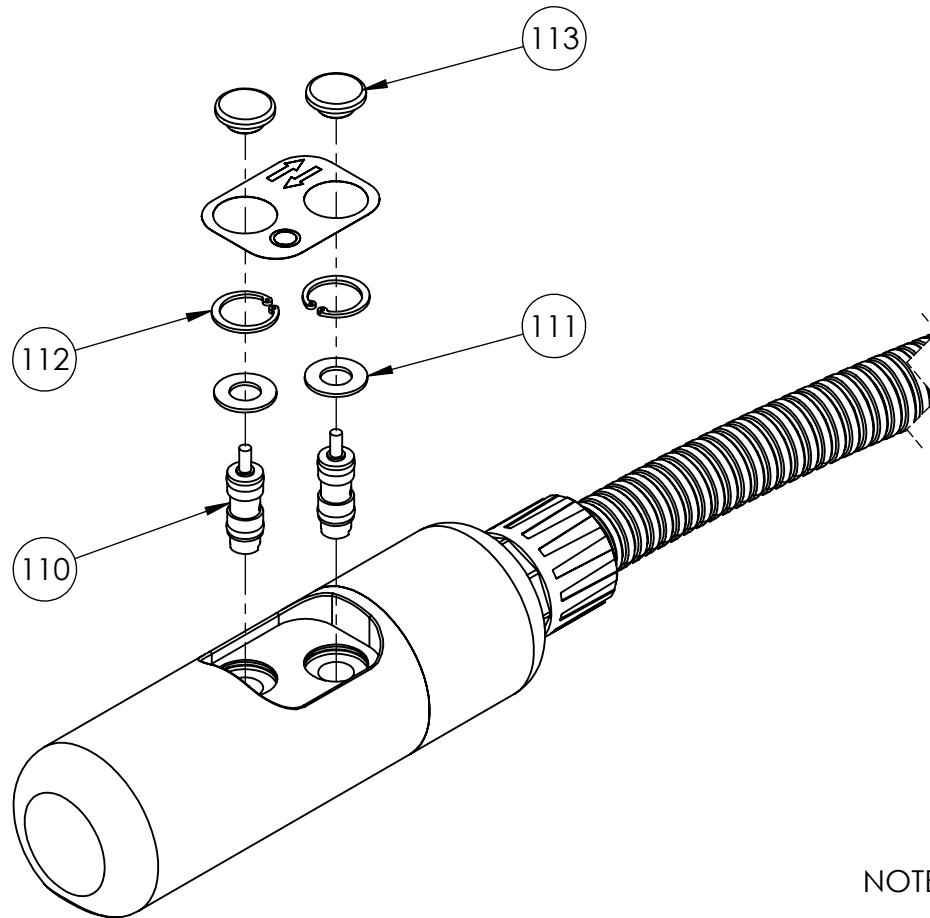
SECTION B-B

O-RING INCLUDED IN
SEAL KIT TPATP1-K

REVISION

1	4226
2	4463
3	4753
4	5212
5	
6	
7	
8	
9	
10	
11	
12	
13	
14	
15	
16	
17	
18	
19	
20	

IMPORTANT
WHEN ORDERING SPARES YOU MUST STATE THE FULL PART NUMBER AND THE
PRODUCT SERIAL NUMBER - FROM THE LABEL
TO PROTECT YOUR WARRANTY ALWAYS USE GENUINE HI-FORCE PARTS.



ITEM NO.	PART NUMBER	DESCRIPTION	QTY.
110	VFC000CH001	CARTRIDGE VALVE	2
111	WAC008JB000	WASHER	2
112	STC017BA001	CIRCLIP	2
113	VFC000CK001	PUSH BUTTON	2

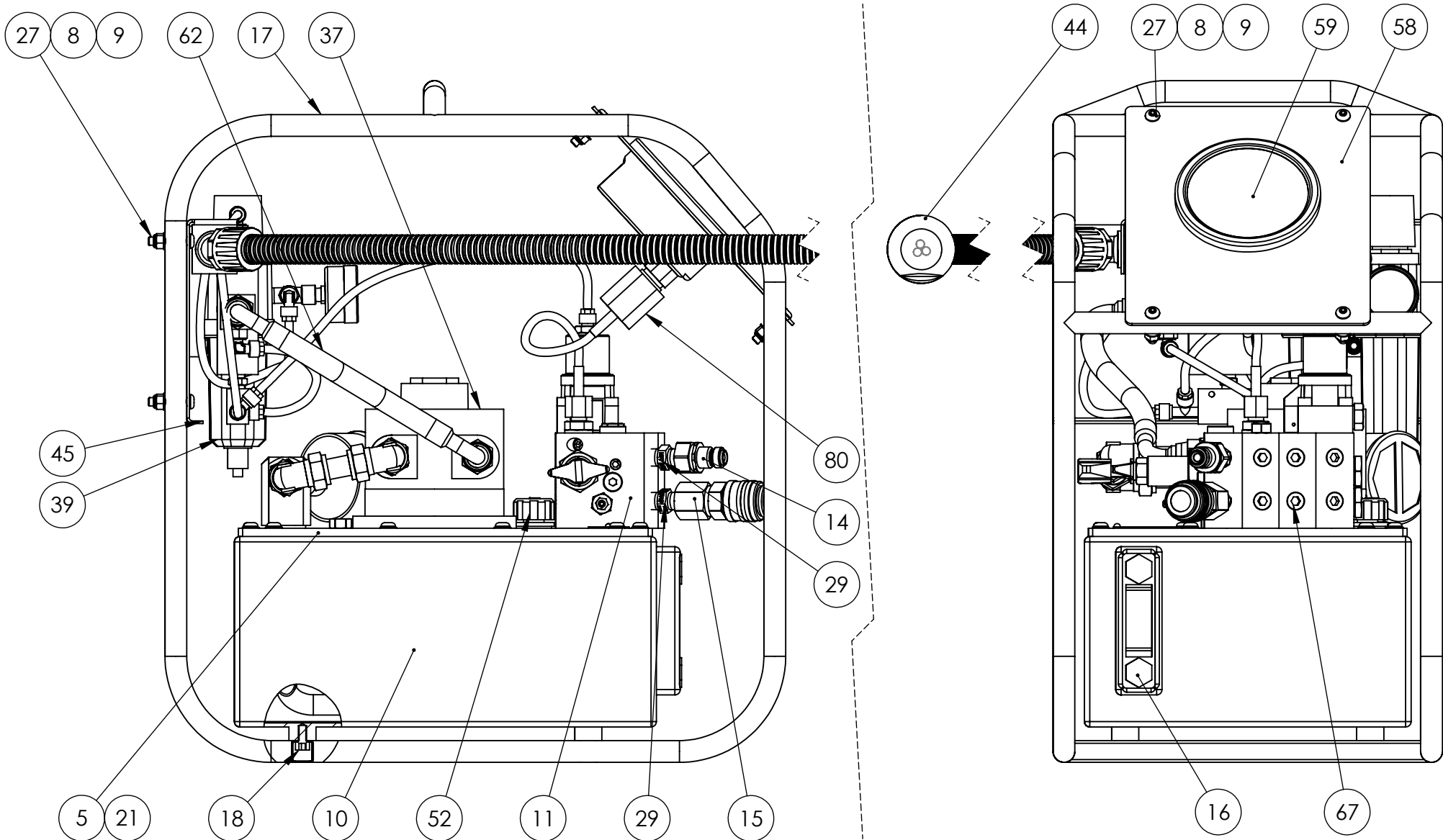
REVISION

1	4226
2	4463
3	4753
4	5212
5	
6	
7	
8	
9	
10	
11	
12	
13	
14	
15	
16	
17	
18	
19	
20	

NOTE: PART NO. 43 REFERS TO AIR PENDANT ASSEMBLY AS A WHOLE

IMPORTANT

WHEN ORDERING SPARES YOU MUST STATE THE FULL PART NUMBER AND THE PRODUCT SERIAL NUMBER - FROM THE LABEL TO PROTECT YOUR WARRANTY ALWAYS USE GENUINE HI-FORCE PARTS.



REVISION

1	4226
2	
3	
4	
5	
6	
7	
8	
9	
10	
11	
12	
13	
14	
15	
16	
17	
18	
19	
20	

IMPORTANT

WHEN ORDERING SPARES YOU MUST STATE THE FULL PART NUMBER AND THE PRODUCT SERIAL NUMBER - FROM THE LABEL TO PROTECT YOUR WARRANTY ALWAYS USE GENUINE HI-FORCE PARTS.

ITEM NO.	PART NUMBER	DESCRIPTION	QTY.
1	PMA019DT001	PUMP HEART	1
2	FFS124MY001	FILTER WELD ASSEMBLY	1
3	FFC123EY001	STRAINER	1
4	BLC004-H008	BUTTON HEAD SCREW	4
5	TAC007BL001	TANK LID	1
6	BLC005HF010	SKT CSK SCREW	2
7	BLC006ST000	M6X35MM ENGINEERING STUD	4
8	WAC006AF000	WASHER	14
9	NUC006JC000	NYLOK NUT	14
10	TAC007AL001	OIL RESERVOIR	1
11	VFC006RN001	VALVE BLOCK	1
12	VRC700ZE002	ADJUSTABLE RELIEF VALVE	1
13	VRC080ZF001	LOW PRESSURE RELIEF VALVE	1
14	CM4F	COUPLER	1
15	CF4F	COUPLER	1
16	TAC000FT006	LEVEL TEMP GAUGE	1
17	TAC007CS001	ROLL FRAME	1
18	BLC006JC012	SOCKET CAP HD SCREW	8
19	WAC006EB000	WASHER	12
20	BLC006JH016	BUTTON HEAD SCREW	12
21	X	TANK SEAL	1
22	VFA000LH001	PILOT OPERATED VALVE	2
23	FPC002PN001	PLUG	15
24	BAC005SN001	3/16 BALL	2
25	FAS006ME006	CUP PT SCREW	2
26	X	DOWTY WASHER	2
27	BLC006JH030	BUTTON HEAD SCREW	8
28	HOC010PS002	PRE BENT TUBE ASSEMBLY	1
29	HF7	1/4" NPT MALE ADAPTOR	2
30	FPC010NB001	REDUCER	1
31	X	VALVE BLOCK SEAL	1
32	FPC006YW001	COUPLING BODY	2
33	FPC003PB001	BLANKING PLUG	1
34	HOC006AB005	RETURN HOSE	2
35	VFA003CS002	SHUTTLE VALVE	1
36	VFA013CD003	PILOT OPERATED VALVE	1
37	AM5	MOTOR (see note)	1
38	FPC010NC001	NIPPLE	1

ITEM NO.	PART NUMBER	DESCRIPTION	QTY.
39	MCC000AF005	FILTER REGULATOR LUBRICATOR	1
40	BLC006JH020	BUTTON HEAD SCREW	2
41	FPC010AN003	ADAPTOR	2
42	FPC003NC001	NIPPLE	1
43	VFC000CD011	AIR PILOT VALVE	1
44	VFA003BH002	AIR PENDANT ASSEMBLY	1
45	SFC150CC001	MOUNTING PLATE	1
46	AC995	MUFFLER (SUPPLIED WITH MOTOR)	1
47	FPC010LK001	FITTING	2
48	FPC013ZB001	ELBOW	2
49	X	DOWTY WASHER	2
50	X	DOWTY WASHER	2
51	HOC015PC005	TUBE ASSEMBLY	1
52	BPC020SP001	FILLER	1
53	FPC010DM001	STUD ELBOW (AIR)	4
54	FPC010UM001	TEE	1
55	FFC010RK001	SILENCER	1
56	FPC006YC001	STUD COUPLING (AIR)	1
57	NUC021-B000	THIN NUT	2
58	TAC010GA011	GAUGE PLATE	1
59	HG1-TG	PRESSURE GAUGE	1
60	FPC006QB003	ADAPTOR	1
61	X	O-RING	1
62	HOC010AB003	AIR HOSE	1
63	AAN000UP001	NAMEPLATE	1
64	FAS002HZ001	HAMMER DRIVE SCREW	2
65	FPC006PB002	BLANKING PLUG	1
65	FPC010EK001	COMPRESSION ELBOW	2
67	FPC006PN002	PLUG	6
68	FPC012PM002	PLUG	2
69	SEC013RA001	O-RING	1
78	FPC003TB001	TEE	1
80	HOC002AP001	GAUGE TUBE	1
81	HOC010AB004	RETURN HOSE	1

REVISION

1 4226

2

3

4

5

6

7

8

9

10

11

12

13

14

15

16

17

18

19

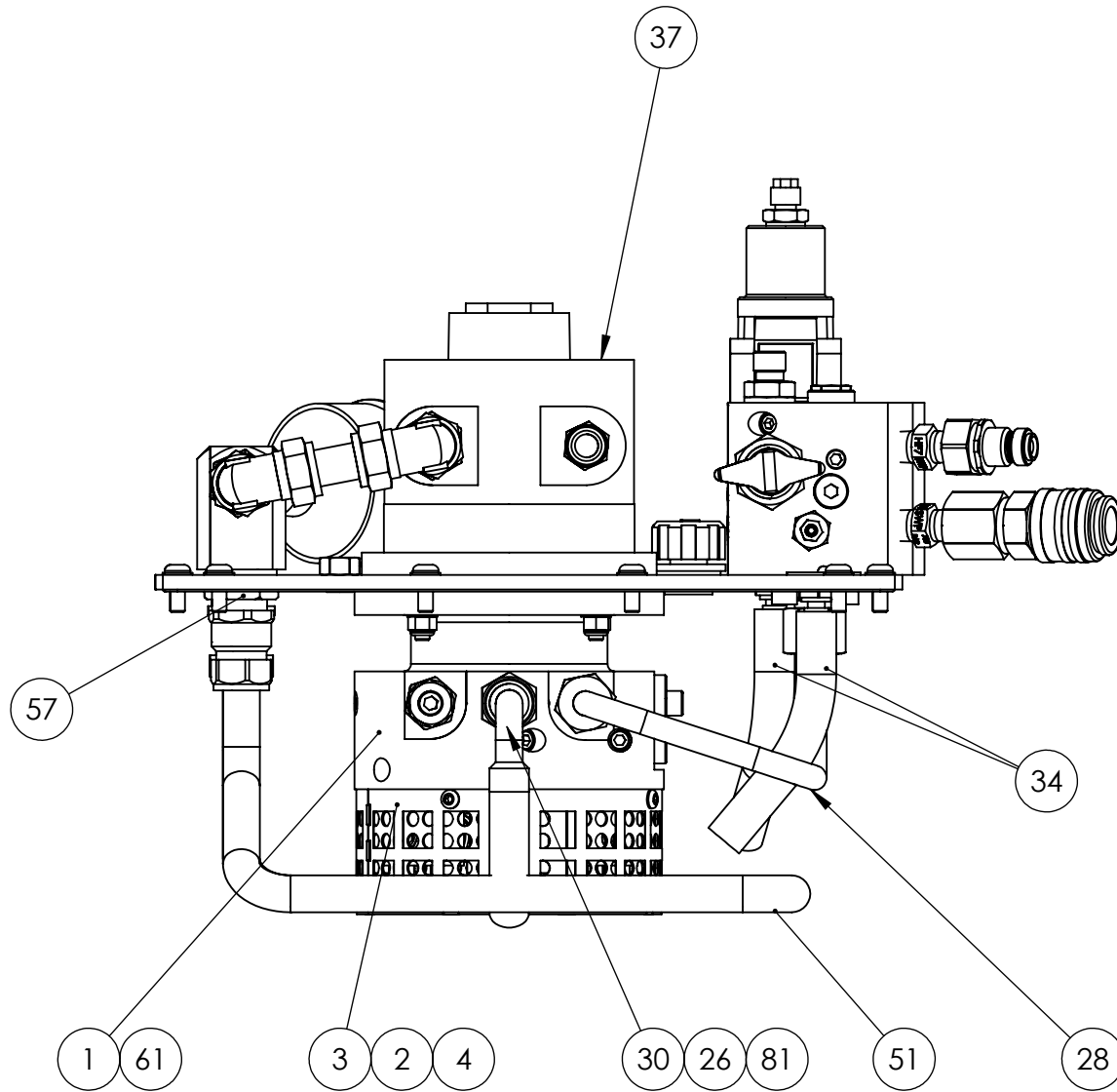
20

NOTE:
SEAL KIT ALSO INCLUDES
SERVICE KIT FOR
AIR MOTOR

PARTS MARKED X ARE AVAILABLE IN TPATP1-K SEAL KIT ONLY

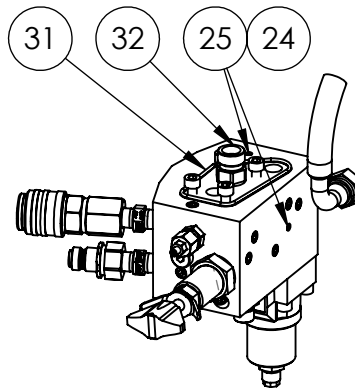
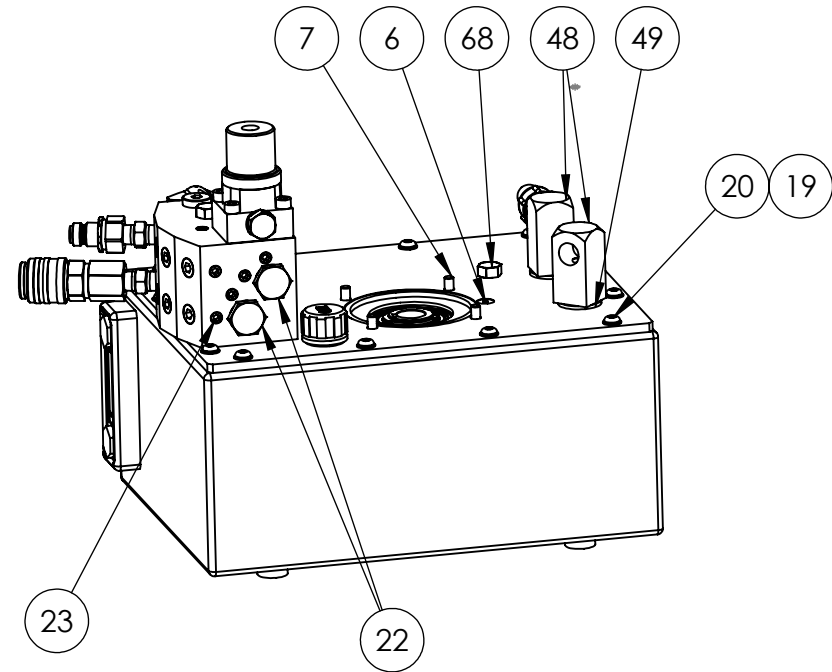
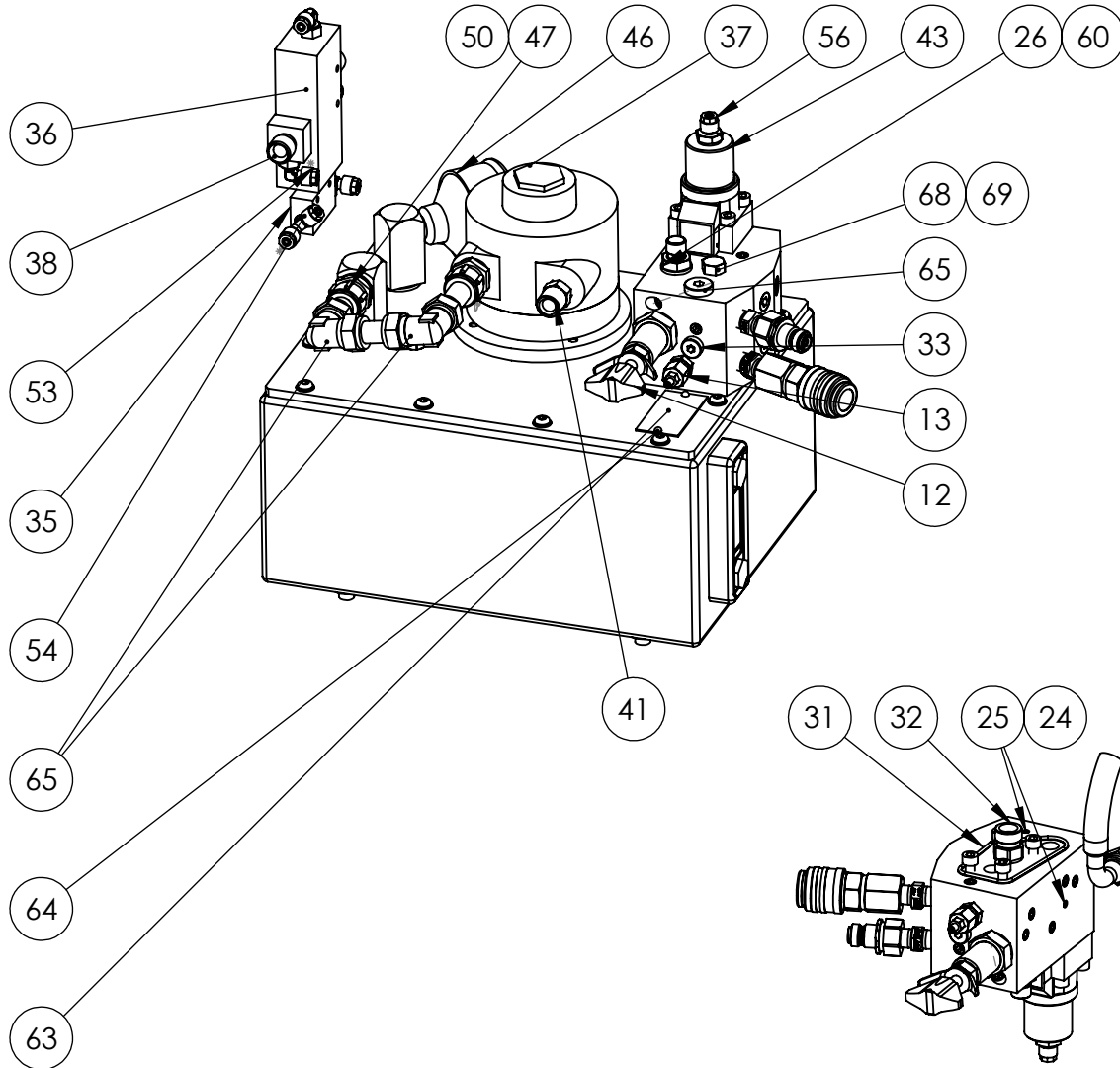
IMPORTANT

WHEN ORDERING SPARES YOU MUST STATE THE FULL PART NUMBER AND THE PRODUCT SERIAL NUMBER - FROM THE LABEL TO PROTECT YOUR WARRANTY ALWAYS USE GENUINE HI-FORCE PARTS.



REVISION
1 4226
2
3
4
5
6
7
8
9
10
11
12
13
14
15
16
17
18
19
20

IMPORTANT
WHEN ORDERING SPARES YOU MUST STATE THE FULL PART NUMBER AND THE PRODUCT SERIAL NUMBER - FROM THE LABEL TO PROTECT YOUR WARRANTY ALWAYS USE GENUINE HI-FORCE PARTS.



REVISION

1 4226

2

3

4

5

6

7

8

9

10

11

12

13

14

15

16

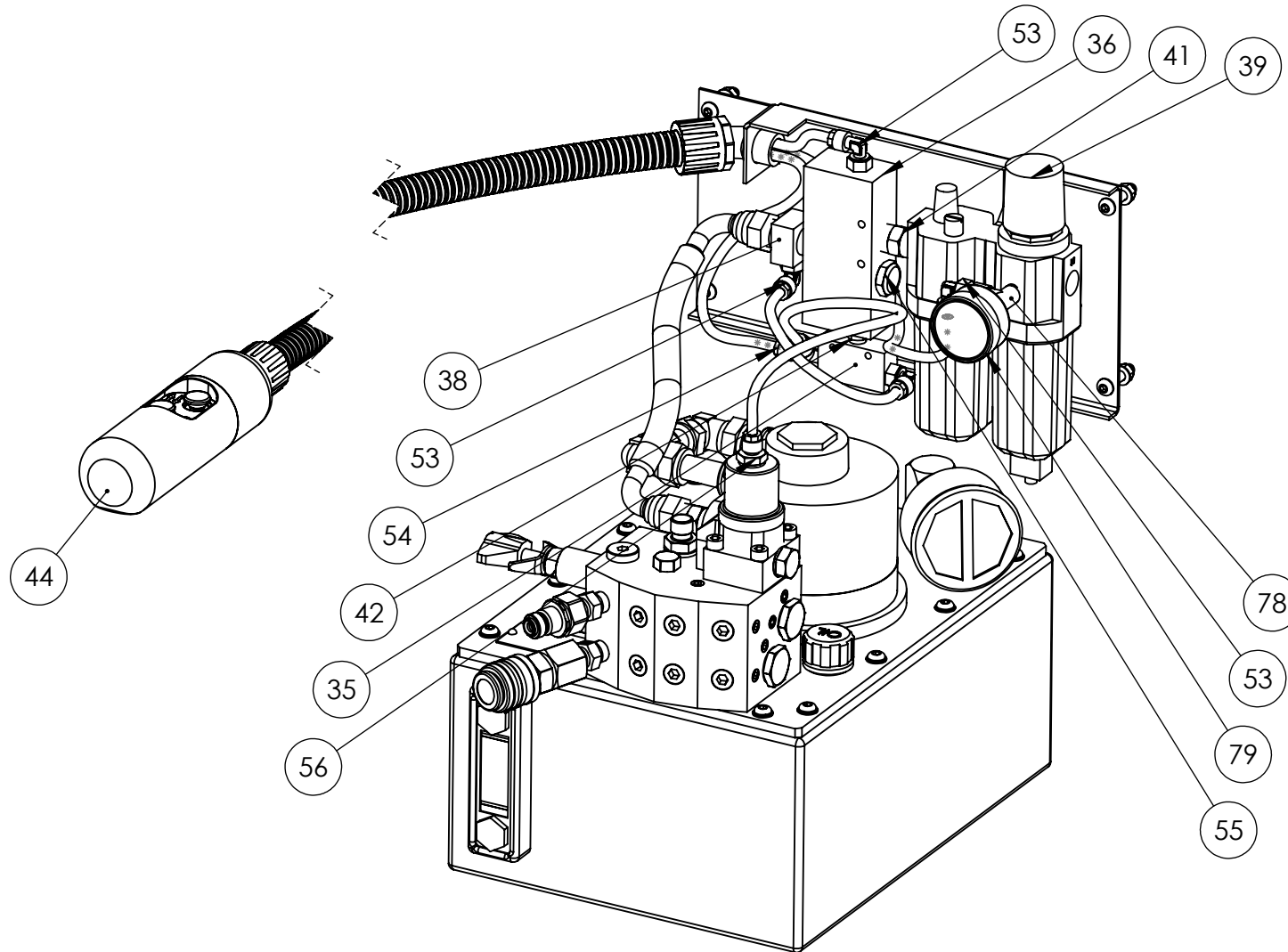
17

18

19

20

IMPORTANT
WHEN ORDERING SPARES YOU MUST STATE THE FULL PART NUMBER AND THE PRODUCT SERIAL NUMBER - FROM THE LABEL TO PROTECT YOUR WARRANTY ALWAYS USE GENUINE HI-FORCE PARTS.



REVISION

1 4226

2

3

4

5

6

7

8

9

10

11

12

13

14

15

16

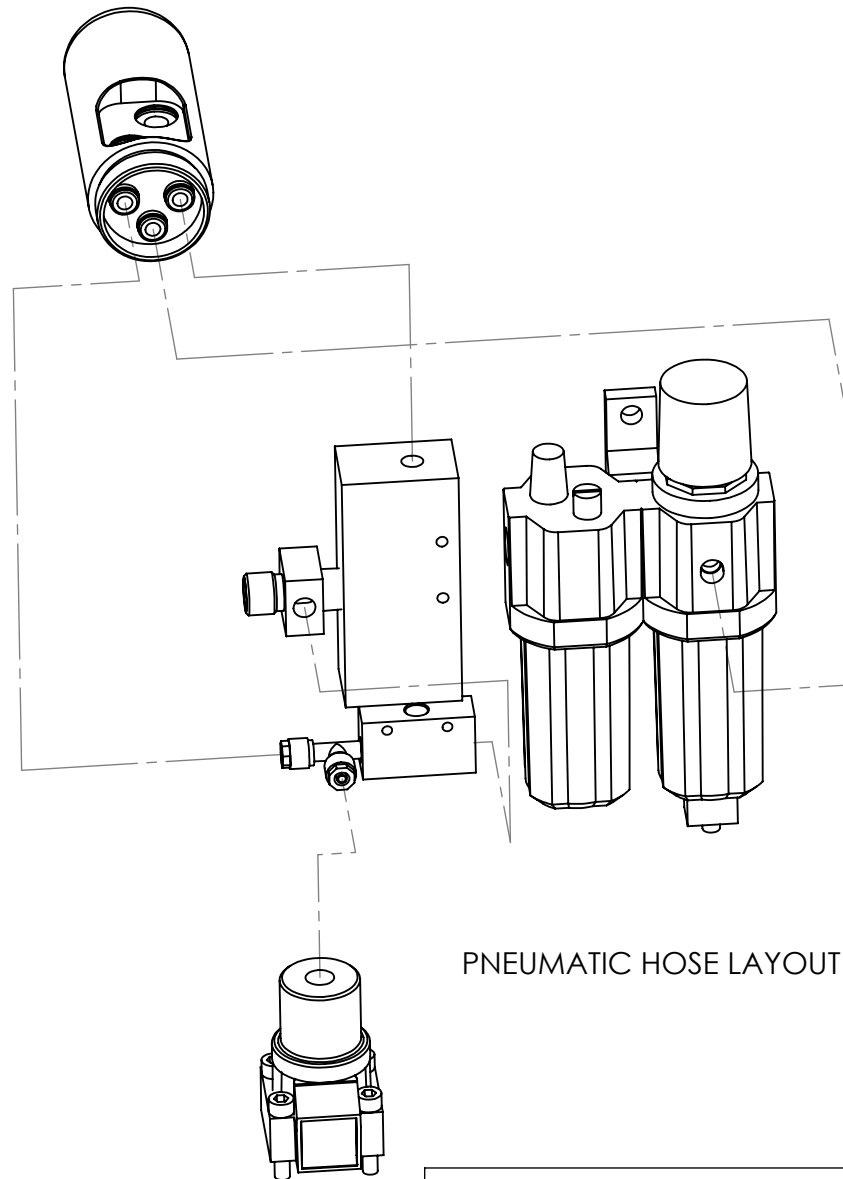
17

18

19

20

IMPORTANT
WHEN ORDERING SPARES YOU MUST STATE THE FULL PART NUMBER AND THE
PRODUCT SERIAL NUMBER - FROM THE LABEL
TO PROTECT YOUR WARRANTY ALWAYS USE GENUINE HI-FORCE PARTS.



PNEUMATIC HOSE LAYOUT

REVISION

1 4226

2

3

4

5

6

7

8

9

10

11

12

13

14

15

16

17

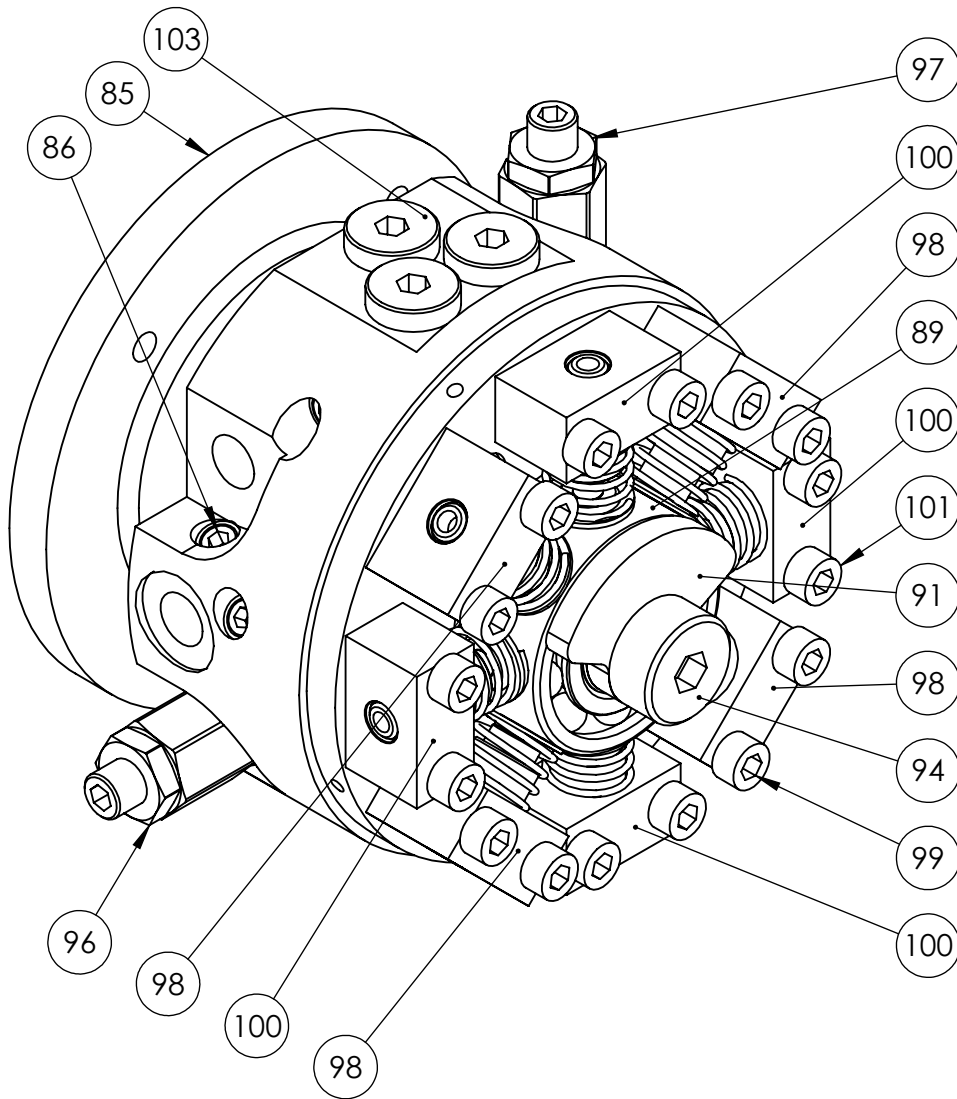
18

19

20

IMPORTANT

WHEN ORDERING SPARES YOU MUST STATE THE FULL PART NUMBER AND THE PRODUCT SERIAL NUMBER - FROM THE LABEL TO PROTECT YOUR WARRANTY ALWAYS USE GENUINE HI-FORCE PARTS.



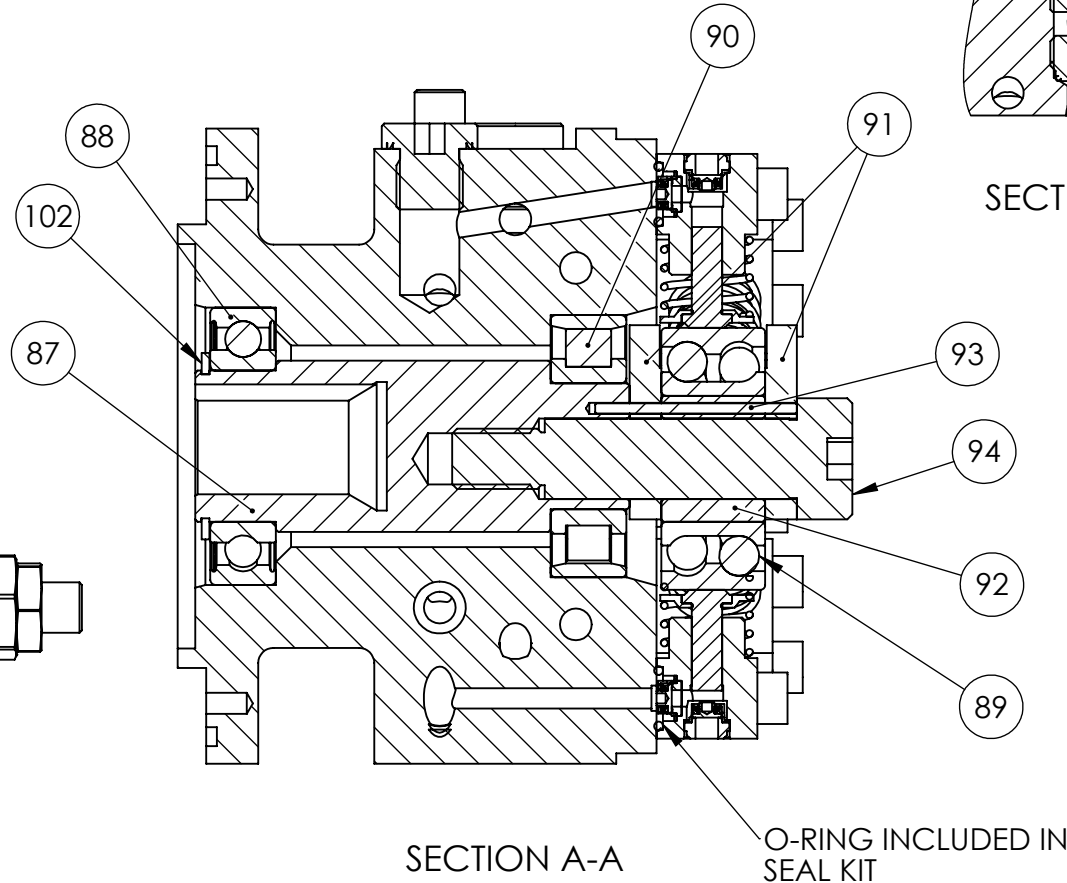
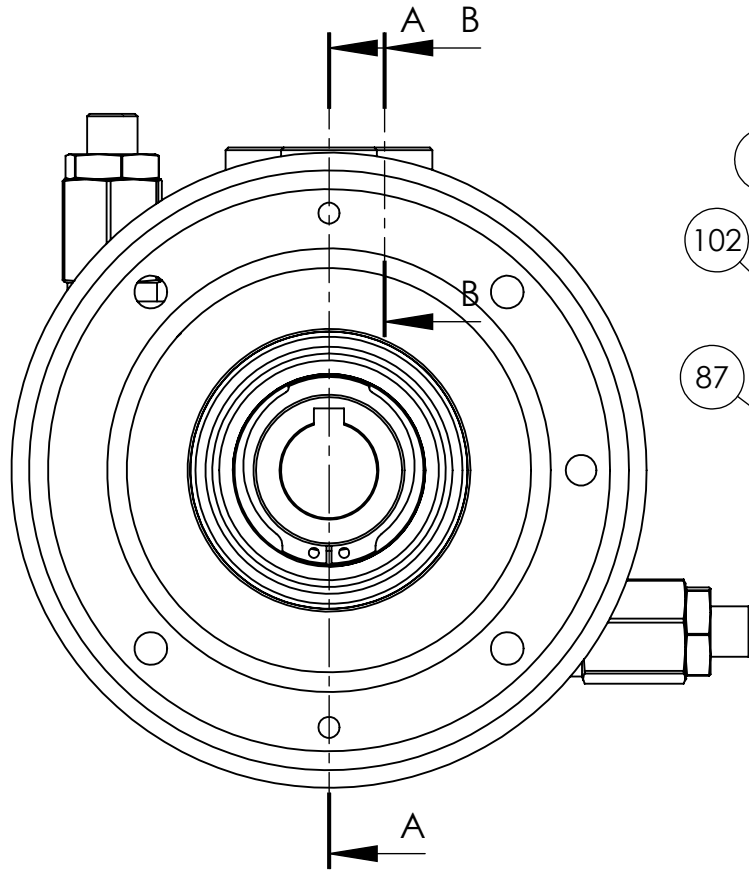
ITEM NO.	PART NUMBER	DESCRIPTION	QTY.
85	PMC000KM002	PUMP BODY	1
86	FPC002PN001	PLUG	11
87	PMC019SM001	DRIVE SHAFT	1
88	BSC030MC001	DEEP GROOVE BALL BEARING	1
89	BSC025ME001	DOUBLE ROW BEARING	1
90	BSC025NC001	CYLINDRICAL ROLLER BEARING	1
91	PMC019EM001	COUNTERWEIGHT	2
92	PMC019RM001	BUSH	1
93	PCC002FE001	LOCATING PIN	1
94	BLC016NS050	SHOULDER SCREW	1
95	VFA006FH001	CHECK VALVE	2
96	VRC065UF001	UNLOADING VALVE 65 BAR	1
97	VRC320UF001	UNLOADING VALVE 320 BAR	1
98	PEA011AA001	LP PISTON BLOCK	4
99	BLC006JD035	SOCKET CAP HD SCREW	8
100	PEA006AA001	HP PISTON BLOCK	4
101	BLC006JD030	SOCKET CAP HD SCREW	8
102	STC030CA002	CIRCLIP	1
103	FPC006PB002	BLANKING PLUG	3

REVISION

1	4226
2	
3	
4	
5	
6	
7	
8	
9	
10	
11	
12	
13	
14	
15	
16	
17	
18	
19	
20	

IMPORTANT

WHEN ORDERING SPARES YOU MUST STATE THE FULL PART NUMBER AND THE PRODUCT SERIAL NUMBER - FROM THE LABEL TO PROTECT YOUR WARRANTY ALWAYS USE GENUINE HI-FORCE PARTS.



REVISION

1 4226

2

3

4

5

6

7

8

9

10

11

12

13

14

15

16

17

18

19

20

IMPORTANT
WHEN ORDERING SPARES YOU MUST STATE THE FULL PART NUMBER AND THE PRODUCT SERIAL NUMBER - FROM THE LABEL TO PROTECT YOUR WARRANTY ALWAYS USE GENUINE HI-FORCE PARTS.