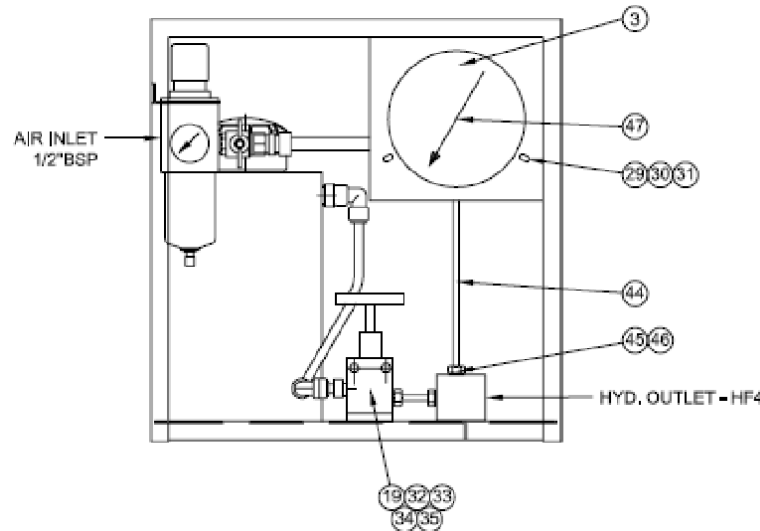
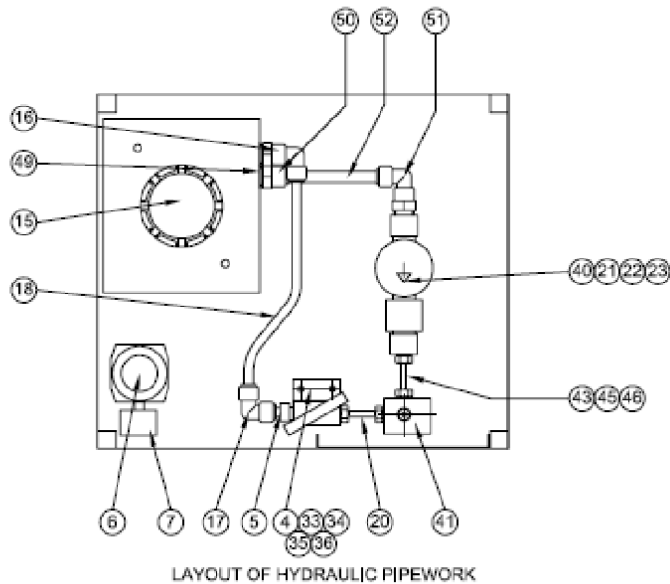
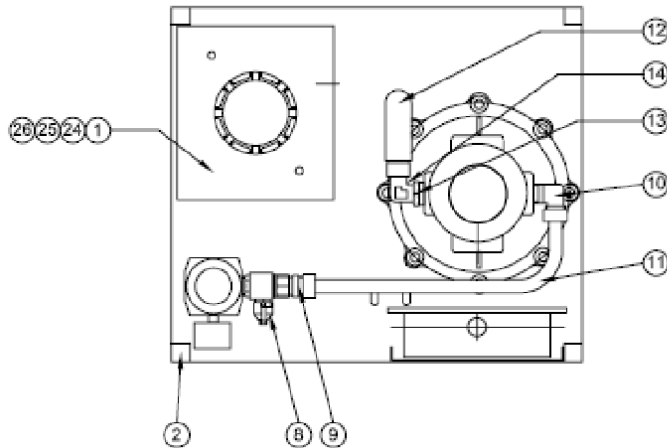


LAYOUT OF PNEUMATIC PIPEWORK

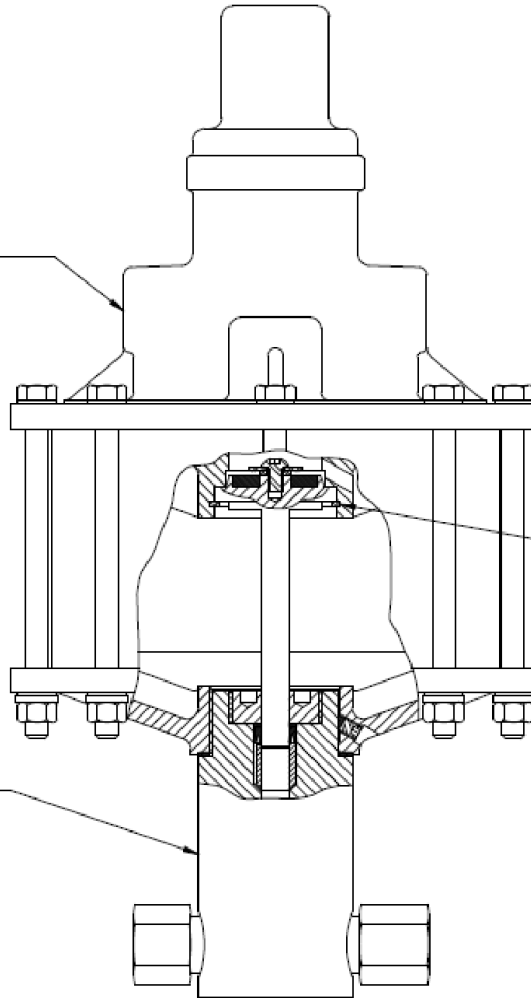


| | | | |
|----|-----------------|--------------------------------|---|
| 1 | AHP10-425-1 | 7.5L TANK | 1 |
| 2 | AHP2-036-237-2 | FRAME | 1 |
| 3 | AHP10-425-3 | GAUGE GUARD | 1 |
| 4 | AHP10-425-4 | GAUGE BRACKET | 1 |
| 5 | AHP10-425-5 | ADAPTOR | 1 |
| 6 | AHP2-036-237-6 | FILTER REGULATOR LUBRICATOR | 1 |
| 7 | AHP10-425-7 | 0-10 BAR AIR GAUGE | 1 |
| 8 | AHP10-425-8 | AIR ON/OFF VALVE | 1 |
| 9 | AHP10-425-9 | 1/2" O/D MALE COUPLING | 1 |
| 10 | AHP10-425-10 | 1/2" O/D MALE ELBOW | 1 |
| 11 | AHP2-036-237-11 | COPPER TUBE TO FIT | 1 |
| 12 | AHP10-425-12 | SILENCER | 1 |
| 13 | AHP2-036-237-13 | REDUCING BUSH | 1 |
| 14 | AHP2-036-237-14 | 1/2" MALE/ FEMALE ELBOW | 1 |
| 15 | AHP10-425-14 | FILLER/ BREATHER | 1 |
| 16 | AHP10-425-15 | 3/8" O/D X 3/8" BSP MALE ELBOW | 1 |
| 17 | AHP10-425-16 | 3/8" O/D EQUAL ELBOW | 1 |
| 18 | AHP10-425-17 | 3/8" O/D NYLON TUBE | 1 |
| 19 | AHP10-425-18 | PRESSURE RELEASE VALVE | 1 |
| 20 | AHP10-425-19 | 1/4 O/D NIPPLE X 2.75 LONG | 1 |
| 21 | AHP10-425-20 | HEX HEAD SET SCREW | 2 |
| 22 | AHP10-425-21 | PLAIN WASHER | 2 |
| 23 | AHP10-425-22 | SPRING WASHER | 2 |
| 24 | AHP10-425-23 | HEX HEAD SET SCREW | 2 |
| 25 | AHP10-425-24 | PLAIN WASHER | 2 |
| 26 | AHP10-425-25 | SPRING WASHER | 2 |
| 27 | AHP10-425-26 | LABEL | 1 |
| 28 | AHP10-425-27 | DRIVE PIN | 2 |
| 29 | AHP10-425-28 | BUTTON HEAD S/S SCREW | 2 |
| 30 | AHP10-425-29 | S/S NUT | 2 |
| 31 | AHP10-425-30 | S/S WASHER | 2 |
| 32 | AHP10-425-31 | HEX HEAD S/S SCREW | 2 |
| 33 | AHP10-425-32 | S/S PLAIN WASHER | 5 |
| 34 | AHP10-425-33 | S/S SPRING WASHER | 4 |
| 35 | AHP10-425-34 | S/ NUT | 4 |
| 36 | AHP10-425-35 | HEX HEAD SCREW | 2 |
| 40 | AHP2-237P-40 | PUMP | 1 |
| 41 | AHP2-237P-41 | OUTLET BLOCK | 1 |
| 43 | AHP10-425-19 | NIPPLE | |
| 44 | AHP2-036P-44 | GAUGE PIPE | 1 |
| 45 | AHP10-425-45 | GLAND NUT | 1 |
| 46 | AHP10-425-46 | COLLAR | 1 |
| 47 | AHP2-237P-47 | GAUGE | 1 |
| 49 | AHP2-060P-49 | REDUCING BUSH | 1 |
| 50 | AHP2-060P-50 | STRAIGHT CONNN | 1 |
| 51 | AHP2-0237P-51 | SWIVEL ELBOW | 1 |
| 52 | AHP2-060P-52 | NYLON TUBE | 1 |

IMPORTANT

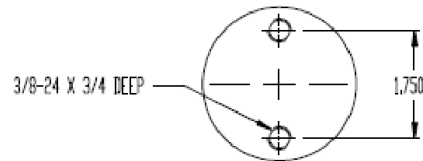
WHEN ORDERING SPARES YOU MUST STATE THE FULL PART NUMBER AND THE PRODUCT SERIAL NUMBER - FROM THE LABEL TO PROTECT YOUR WARRANTY ALWAYS USE GENUINE HI-FORCE PARTS.

AIR MOTOR ASSEMBLY
AHP2-036-237AM



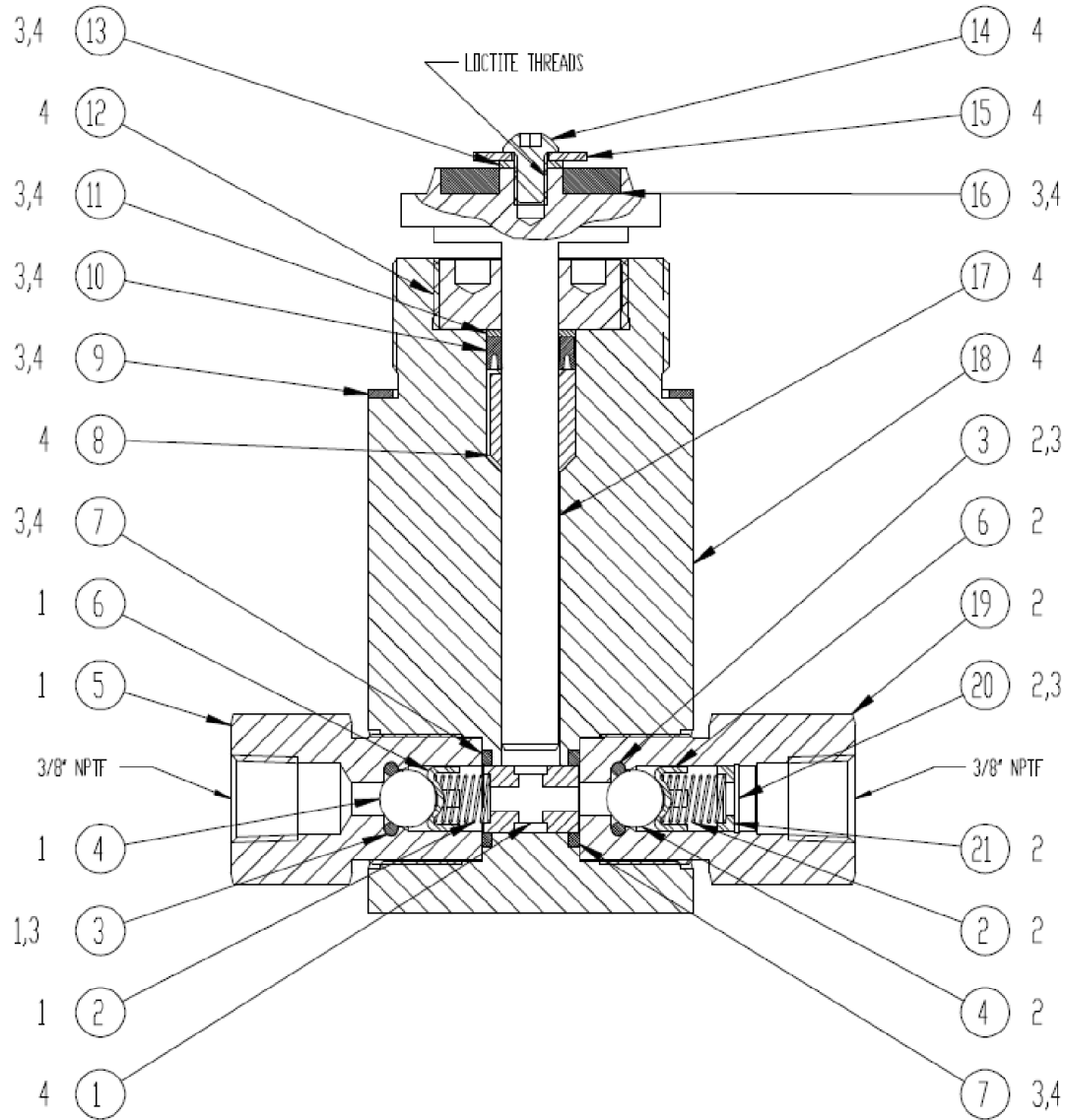
RETAINING RING
AHP10-425AM-22

HYDRAULIC ASSEMBLY
AHP2-237H



IMPORTANT

WHEN ORDERING SPARES YOU MUST STATE THE FULL PART NUMBER AND THE
PRODUCT SERIAL NUMBER - FROM THE LABEL
TO PROTECT YOUR WARRANTY ALWAYS USE GENUINE HI-FORCE PARTS.



| | AHP2-237H | AHP2-237 | |
|-----|------------------------|--------------------------------------|---|
| | AHP2-237HK | HYDRAULIC REPAIR KIT AHP2-237 | |
| 1 | AHP 187-425H-1 | RETAINER | 1 |
| 2 | AHP 187-425H-2 | SPRING | 2 |
| 3 | AHP 187-425H-3 | O RING | 2 |
| 4 | AHP 187-425H-4 | CHECK BALL | 2 |
| 5 | AHP 187-425H-5 | SEAT-INLET | 1 |
| 5A | AHP187-425H-5A | INLET CHECK VALVE ASSY | 1 |
| 6 | AHP 187-425H-6 | BALL GUIDE | 2 |
| 7 | AHP 187-425H-7 | O-RING | 2 |
| 8 | AHP2-237H-8 | BEARING- LOWER | 1 |
| 9 | AHP 10-425H-8 | GASKET | 1 |
| 10 | AHP2-237H-10 | SEAL ROD | 1 |
| 11 | AHP2-237H-11 | BACK UP | 1 |
| 12 | AHP2-237H-12 | RETAINER | 1 |
| 13 | AHP 187-425H-13 | HELICAL SPRING LOCK WASHER | 1 |
| 14 | AHP 10-425H-12 | BUTTON HEAD CAP SCREW | 1 |
| 15 | AHP 10-425H-11 | FENDER WASHER | 1 |
| 16 | AHP2-237H-16 | PISTON BUMPER | 1 |
| 17 | AHP2-237H-17 | HYDRAULIC PISTON | 1 |
| 18 | AHP2-237H-18 | HYDRAULIC CYLINDER | 1 |
| 19 | AHP 187-425H-17 | SEAT-OUTLET | 1 |
| 19A | AHP187-425H-17A | OUTLET CHECK VALVE ASSY | 1 |
| 20 | AHP 187-425H-18 | RETAINING RING | 1 |
| 21 | AHP 187-425H-19 | SPRING GUIDE | 1 |

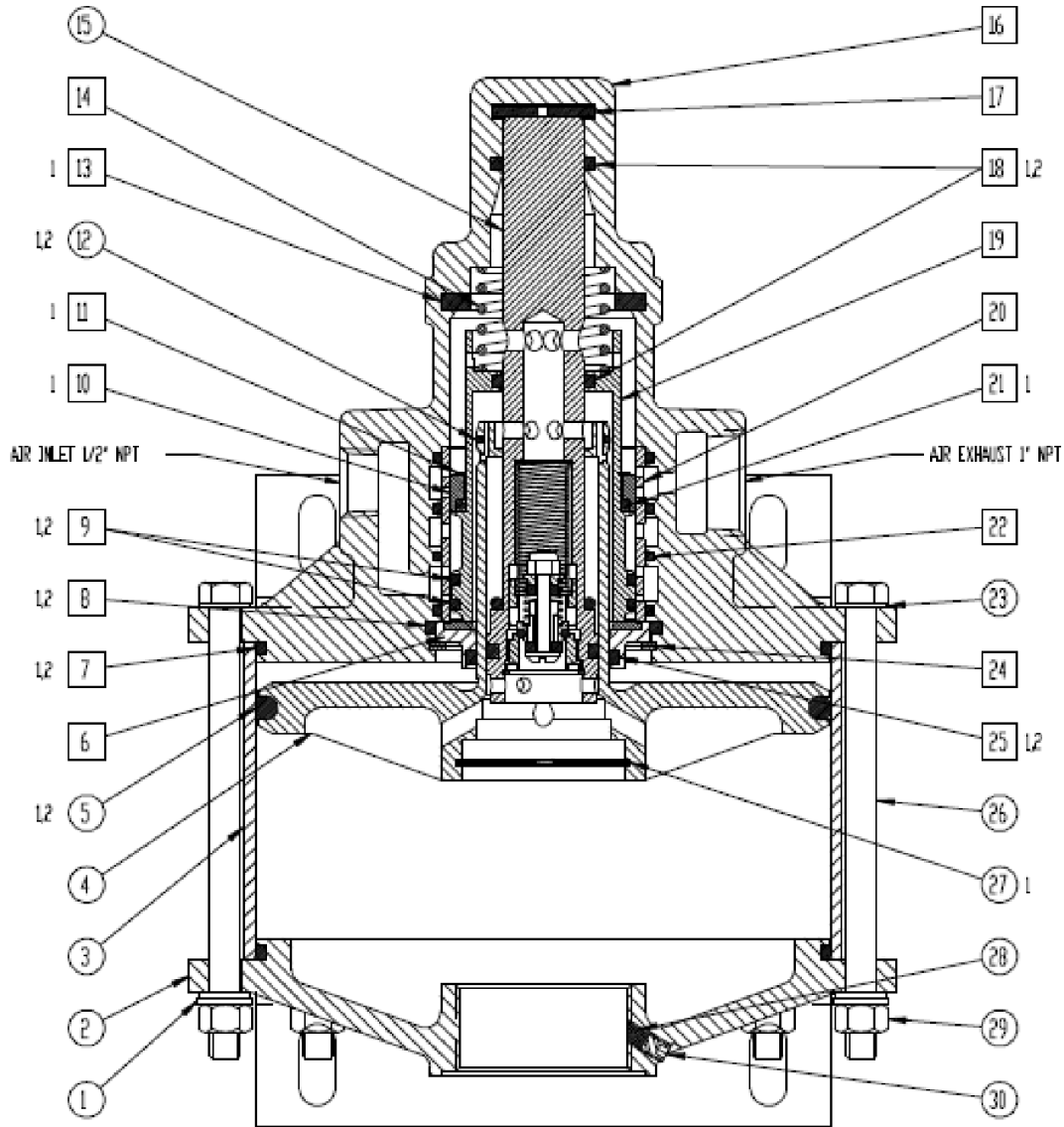
3. INCLUDED IN AHP2-237HK ONLY.

2. INCLUDED IN AHP187-425H-19A ONLY

1. INCLUDED IN AHP187-425H-5A ONLY

IMPORTANT

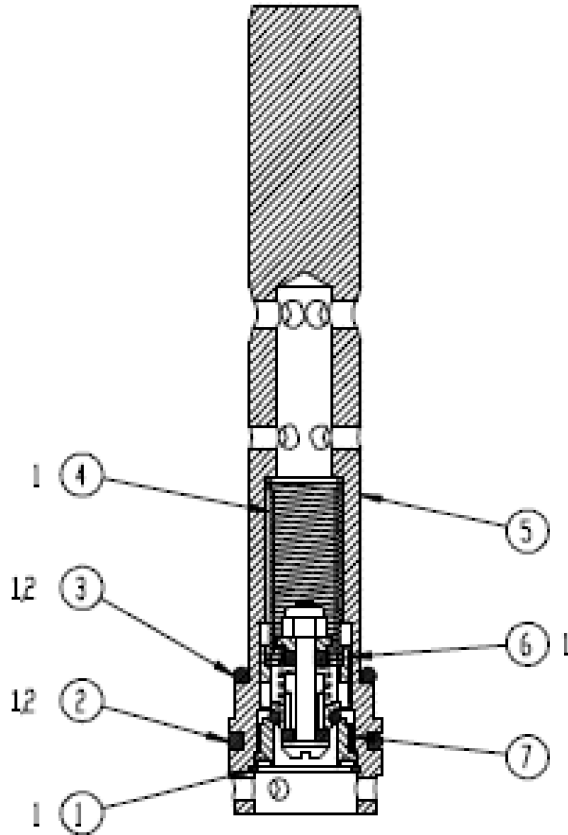
WHEN ORDERING SPARES YOU MUST STATE THE FULL PART NUMBER AND THE PRODUCT SERIAL NUMBER - FROM THE LABEL TO PROTECT YOUR WARRANTY ALWAYS USE GENUINE HI-FORCE PARTS.



| | | | |
|-----------------------|-------------------|--------------------------------|----------|
| 1 | AHP2-036-237AM-1 | WASHER-LOCK | 8 |
| 2 | AHP2-036-237AM-2 | END | 1 |
| 3 | AHP2-036-237AM-3 | CYLINDER AIR | 1 |
| 4 | AHP2-036-237AM-4 | PISTON AIR | 1 |
| 5 | AHP2-036-237AM-5 | O-RING | 1 |
| 6 | AHP10-425AM-7 | BEARING ASSEMBLY | 1 |
| 7 | AHP2-036-237AM-7 | O-RING | 2 |
| 8 | AHP10-425AM-8 | O-RING | 1 |
| 9 | AHP2-036-237AM-9 | O-RING | 2 |
| 10 | AHP2-036-237AM-10 | SEAL DRY | 1 |
| 11 | AHP2-036-237AM-11 | RETAINING RING | 1 |
| 12 | AHP10-425AM-9 | O-RING | 1 |
| 13 | AHP10-425AM-11 | BUMPER | 1 |
| 14 | AHP2-036-237AM-14 | SPRING | 1 |
| 15 | AHP2-036-237AM-15 | PILOT VALVE ASSY | 1 |
| 16 | AHP2-036-237AM-16 | HEAD | 1 |
| 17 | AHP10-425AM-15 | BUMPER | 1 |
| 18 | AHP10-425AM-16 | O-RING | 2 |
| 19 | AHP2-036-237AM-19 | PISTON-APA | 1 |
| 20 | AHP2-036-237AM-20 | SLEEVE-APA | 1 |
| 21 | AHP2-036-237AM-21 | O-RING | 1 |
| 22 | AHP10-425AM-17 | O-RING | 4 |
| 23 | AHP2-036-237AM-23 | WASHER-FLAT | 16 |
| 24 | AHP10-425AM-19 | RETAINING RING | 1 |
| 25 | AHP10-425AM-20 | O-RING | 1 |
| 26 | AHP2-036-237AM-26 | BOLT HEX | 8 |
| 27 | AHP10-425AM-22 | RETAINING RING | 1 |
| 28 | AHP10-425AM-24 | PLUG - BUNA | 1 |
| 29 | AHP2-036-237AM-29 | NUT-HEX | 8 |
| 30 | AHP2-036-237AM-30 | SET SCREW-HEX SOCKET | 1 |
| AHP2-036-237K | | SEAL KIT | 1 |
| AHP2-036-237RK | | REPAIR KIT | 1 |
| AHP2-036-237AM | | COMPLETE AIR MOTOR | 1 |
| AHP2-036-237HD | | AIR MOTOR COMPLETE HEAD | 1 |

IMPORTANT

WHEN ORDERING SPARES YOU MUST STATE THE FULL PART NUMBER AND THE PRODUCT SERIAL NUMBER - FROM THE LABEL TO PROTECT YOUR WARRANTY ALWAYS USE GENUINE HI-FORCE PARTS.



| | | | |
|---|------------------|----------------|---|
| 1 | AHP2-036-237PV-1 | RETAINING RING | 1 |
| 2 | AHP10-425PV-2 | O-RING | 1 |
| 3 | AHP10-425PV-3 | O-RING | 1 |
| 4 | AHP2-036-237PV-4 | SPRING | 1 |
| 5 | AHP2-036-237PV-5 | valve body | 1 |
| 6 | AHP2-036-237PV-6 | AIR CHECK ASSY | 1 |
| 7 | AHP10-425PV-7 | SEAT | 1 |

2. INCLUDED IN AIR MOTOR SEAL KIT: AHP2-036-237K

1. INCLUDED IN AIR MOTOR REPAIR KIT: AHP-036-237RK

IMPORTANT

WHEN ORDERING SPARES YOU MUST STATE THE FULL PART NUMBER AND THE PRODUCT SERIAL NUMBER - FROM THE LABEL TO PROTECT YOUR WARRANTY ALWAYS USE GENUINE HI-FORCE PARTS.