

# TU 40 FMTake-up cast iron unit with insert ball bearing, eccentric locking collar and narrow inner ring, ISO

Take-up cast iron unit with insert ball bearing, eccentric locking collar and narrow inner ring, ISO

Take-up ball bearing units, consisting of an insert bearing based on a sealed deep groove ball bearing mounted in a grey cast iron housing. This variant is intended for use in applications where the direction of rotation is constant. It has an inner ring extended on one side, with an eccentric locking collar, enabling quick and easy mounting onto the shaft.

- Designed for rotation in one direction
- Quick and easy to mount onto the shaft
- Accommodate static initial misalignment
- Long service life
- Reduced noise and vibration levels

## Overview

### Dimensions

Shaft diameter	40 mm
Housing overall width	49 mm
Bearing width, total	43.2 mm

### Performance

Basic dynamic load rating	30.7 kN
Basic static load rating	19 kN
Limiting speed	4 800 r/min
Note	Limiting speed with shaft tolerance h6

### Properties

Housing type	Take-up
Retaining feature, inner ring	Eccentric collar
Bore type	Cylindrical
Rubber seating ring	Without
Material, housing	Cast iron
Material, bearing	Bearing steel
Coating	Without
Sealing, bearing	Seal on both sides
Sealing type	Contact, standard
Sealing, unit	Optional end cover
Lubricant	Grease

Relubrication hole

With

Grease fitting

With

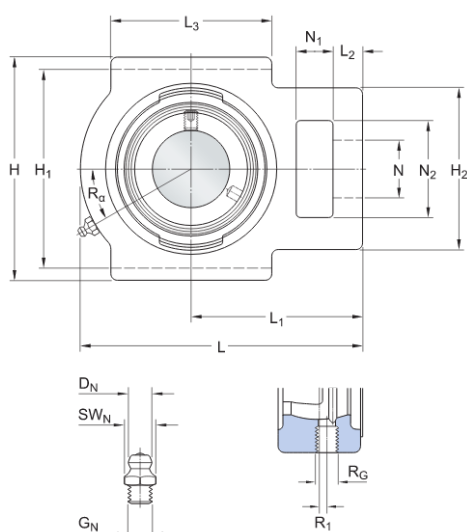
# Technical Specification

Compliance with standard	ISO
Purpose specific	For material handling applications
Material, housing	Cast iron
Sealing, bearing	Seal on both sides
Sealing type, bearing	Contact, standard
Sealing, unit	Optional end cover
Coating	Without



## Dimensions

d	40 mm	Bore diameter
d <sub>1</sub>	≈ 51.8 mm	Shoulder diameter of inner ring
d <sub>2</sub>	56.5 mm	Outside diameter of locking ring
A	49 mm	Overall width
A <sub>1</sub>	17.5 mm	Width of piloting groove
A <sub>2</sub>	33 mm	Width of flange in which piloting grooves are provided
A <sub>5</sub>	24 mm	Standout of end cover
B <sub>1</sub>	43.2 mm	Overall bearing width
B <sub>4</sub>	6.75 mm	Distance from locking device side face to thread centre
H	115 mm	Overall height
H <sub>1</sub>	101 mm	Distance between bottoms of piloting grooves
H <sub>2</sub>	83 mm	Height of attachment end



L	145 mm	Overall length
L <sub>1</sub>	88 mm	Distance from attachment end face to centre line of spherical seat diameter
L <sub>2</sub>	15 mm	Length attachment end
L <sub>3</sub>	83 mm	Length of piloting groove
N	29 mm	Diameter of attachment bolt hole
N <sub>1</sub>	19 mm	Length of attachment slot
N <sub>2</sub>	50 mm	Height of attachment slot
S <sub>1</sub>	32.7 mm	Distance from locking device side face to raceway centre

#### Threaded hole

R <sub>G</sub>	1/4-28 UNF	Housing thread for the grease fitting
R <sub>1</sub>	4 mm	Axial position of the housing thread
R <sub>α</sub>	30 °	Angular position of the housing thread

#### Grease fitting

D <sub>N</sub>	6.5 mm	Diameter of head sphere of grease fitting
SW	7 mm	Hexagonal key size for the grease fitting
G <sub>N</sub>	1/4-28 SAE-LT	Thread of grease fitting

## Calculation data

Basic dynamic load rating	C	30.7 kN
Basic static load rating	C <sub>0</sub>	19 kN
Fatigue load limit	P <sub>u</sub>	0.8 kN
Limiting speed		4 800 r/min

Limiting speed with shaft tolerance h6

## Mass

Mass bearing unit	2.3 kg
-------------------	--------

## Mounting information

Set screw	G <sub>2</sub>	M10x1
Hexagonal key size for set screw		5 mm
Recommended tightening torque for set screw		16.5 N·m

# Terms and conditions

By accessing and using this website / app owned and published by AB SKF (publ.) (556007-3495 · Gothenburg) ("SKF"), you agree to the following terms and conditions:

## Warranty Disclaimer and Limitation of Liability

Although every care has been taken to assure the accuracy of the information on this website / app, SKF provides this information "AS IS" and DISCLAIMS ALL WARRANTIES, EXPRESS OR IMPLIED, INCLUDING, BUT NOT LIMITED TO, IMPLIED WARRANTIES OF MERCHANTABILITY AND FITNESS FOR A PARTICULAR PURPOSE. You acknowledge that your use of this website / app is at your sole risk, that you assume full responsibility for all costs associated with use of this website / app, and that SKF shall not be liable for any direct, incidental, consequential, or indirect damages of any kind arising out of your access to, or use of the information or software made available on this website / app. Any warranties and representations in this website / app for SKF products or services that you purchase or use will be subject to the agreed upon terms and conditions in the contract for such product or service. Further, for non-SKF websites / apps that are referenced in our website / app or where a hyperlink appears, SKF makes no warranties concerning the accuracy or reliability of the information in these websites / apps and assumes no responsibility for material created or published by third parties contained therein. In addition, SKF does not warrant that this website / app or these other linked websites / apps are free from viruses or other harmful elements.

## Third Party Services

When viewing YouTube content via the SKF website(s) (i.e. using YouTube API Services), you agree to be bound by the YouTube Terms of Service.

## Copyright

Copyright in this website / app copyright of the information and software made available on this website / app rest with SKF or its licensors. All rights are reserved. All licensed material will reference the licensor that has granted SKF the right to use the material. The information and software made available on this website / app may not be reproduced, duplicated, copied, transferred, distributed, stored, modified, downloaded or otherwise exploited for any commercial use without the prior written approval of SKF. However, it may be reproduced, stored and downloaded for use by individuals without prior written approval of SKF. Under no circumstances may this information or software be supplied to third parties.

This website /app includes certain images used under license from Shutterstock, Inc.

## Trademarks and Patents

All trademarks, brand names, and corporate logos displayed on the website / app are the property of SKF or its licensors, and may not be used in any way without prior written approval by SKF. All licensed trademarks published on this website / app reference the licensor that has granted SKF the right to use the trademark. Access to this website / app does not grant to the user any license under any patents owned by or licensed to SKF.

## Changes

SKF reserves the right to make changes or additions to this website / app at any time.