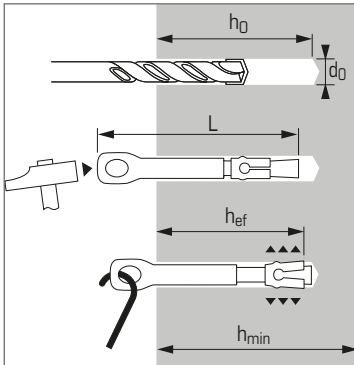




Wirehanger



APPLICATION

- Suspended ceiling
- Light

Fire behaviour

Fire duration	60 min.	120 min.
6X65P	0,085*	0,045*

*Values calculated according to the technical report TR 020 published by EOTA "Evaluation of anchorages in concrete concerning resistance to fire".

Technical data

Anchor size	Anchor depth (mm) hef	Min. base material thickness (mm) h_{min}	Drilling depth (mm) h₀	Drilling diameter (mm) d₀	Total anchor length (mm) L	Code
6X65P	25	50	35	6	64	056100

Anchors mechanical properties

Anchor size	6X65P	
f_{uk} (N/mm ²)	Min. tensile strength	450
f_{yk} (N/mm ²)	Yield strength	400

Recommended loads (N_{rec}, V_{rec}) and ultimate loads (N_{Ru,m}, V_{Ru,m}) in kN

TENSILE

Base material	Anchor size <i>hef</i>	6X65P 25
Concrete (C20/25)		
N_{rec}		1,5
N_{Ru,m}		6,0
Concrete (C30/37)		
N_{rec}		1,8
N_{Ru,m}		7,0
Concrete (≥C40/50)		
N_{rec}		2,2
N_{Ru,m}		8,6

Concrete rendered (max 5 mm): recommended load reduced to 50%

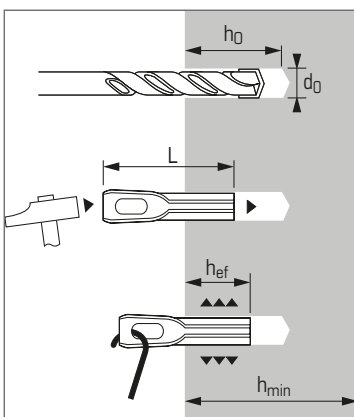
SHEAR

Base material	Anchor size <i>hef</i>	6X65P 25
Concrete (C20/25)		
V_{rec}		1,4
V_{Ru,m}		5,6
Concrete (C30/37)		
V_{rec}		1,7
V_{Ru,m}		6,8
Concrete (≥C40/50)		
V_{rec}		1,7
V_{Ru,m}		6,8

Concrete rendered (max 5 mm): recommended load reduced to 50%



Ceiling anchor



APPLICATION

- Suspended ceiling

INSTALLATION

- Drilling ø 8, depth 25 mm.
- Push the anchor home into the hole and hit with the hammer to obtain the embendement of the anchor only reaching the wide part.

Technical data

Anchor size	Anchor depth (mm) hef	Min. base material thickness (mm) h_{min}	Drilling depth (mm) h₀	Drilling diameter (mm) d₀	Total anchor length (mm) L	Code
8X40	21	40	25	8	43	050015

Anchors mechanical properties

Anchor size	8X40	
f_{uk} (N/mm ²)	Min. tensile strength.	450
f_{yk} (N/mm ²)	Yield strength	400

Recommended loads (N_{rec}) and ultimate loads (N_{Ru,m}) in kN

TENSILE

Base material	Anchor size <i>hef</i>	8X40 21
Concrete (C20/25 and C30/37)		
N_{rec}		0,6
N_{Ru,m}		3,2
Concrete (≥C40/50)		
N_{rec}		0,7
N_{Ru,m}		4,0

Concrete rendered (max 5 mm): recommended load reduced to 50%

Fire behaviour

Fire duration	60 min.	120 min.
8X40	0,035*	0,017*

*Characteristic resistance (kN). Values calculated according to the technical report TR 020 published by EOTA "Evaluation of anchorages in concrete concerning resistance to fire".