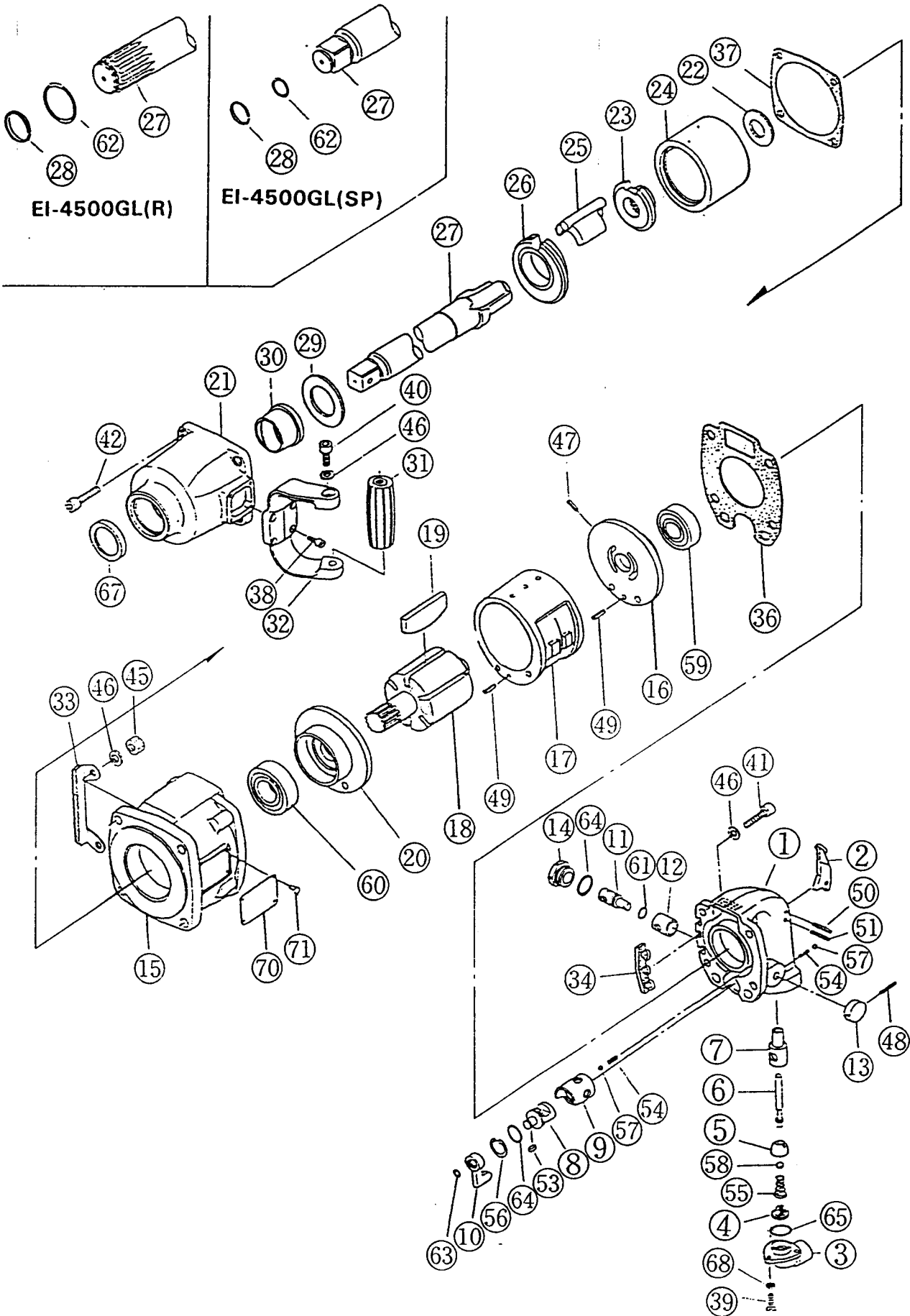


EI-4500/5000 1" IMPACT WRENCH

EXPLODED VIEW



PARTS LIST

Symbol No.	Parts No.	Qty Req.	Description	Symbol No.	Parts No.	Qty Req.	Description
1	43-16-93-020	1	Handle(Outoside Trigger Type) (W/exhaust port)	34	13-66-06-001	1	Protector(Rear)
	43-16-81-020	(1)	Handle(Inside Trygger Type) (W/exhaust port)	35	43-12-66-050	(1)	Exhaust Deflectpr(Front Exhaust Type only)
	43-16-87-020	(1)	Handle(Inside Trygger Type) (W/o exhaust port)	36	13-61-04-070	1	Motor Housing Gasket
2	43-12-66-130	1	Trigger (Outside)	37	13-61-04-071	1	Clutch Housing Gasket
	43-12-67-130	(1)	Trigger (Inside)	38	13-17-05-014	4	Hex. Bolt(M5×14)
3	43-12-56-060	1	Air Inlet(PT)	39	13-17-05-016	3	Hex. Bolt(M5×16)
	43-16-51-070	(1)	Air Inlet(NPT)	40	13-17-08-018	2	Hex. Bolt(M8×18)
4	13-68-03-032	1	Screen(1/2)	41	13-17-08-035	4	Hex. Bolt(M8×35)
5	13-55-05-009	1	Throttlo Valve	42	13-17-08-040	4	Hex. Bolt(M8×40)
6	13-04-05-012	1	Throttle Push Rod	44	13-18-03-008	(4)	Self-Tapping Screw(M3×8) (Front Exhaust Type only)
7	43-16-81-090	1	Thrpttle Valve Bush	45	13-44-01-008	4	Hex. Nut(M8)
8	43-12-66-210	1	Reverse Valve	46	13-13-09-008	10	Washer(M8)
9	43-12-66-200	1	Reverse Valve Bush	47	13-06-03-010	1	Spring Pin(3×10)
10	43-12-66-230	1	Reverse Valve Lever	48	13-06-03-024	1or3	Spring Pin(3×24)
11	43-12-66-150	1	Regulator Valve	49	13-06-04-014	2	Spring Pin(4×14)
12	43-12-66-140	1	Regulator Valve Bush	50	13-06-04-020	1	Spring Pin(4×20) (For Outside Trigger Type only)
13	43-12-66-260	1	Regulator Valve Knob	51	13-06-04-025	1	Spring Pin(4×25) (For Outside Trigger Type only)
14	43-12-66-270	1	Regulator Valve Cap	53	13-04-10-381	1	Key(3×8)
15	43-16-93-010	1	Motor Housing(W/O exhaust port)	54	13-08-08-001	2	Spring(3.6×13)
	43-16-87-010	(1)	Motor Housing(W/exhaust port)	55	13-08-08-002	1	Throttle Valve Spring(10×15×25)
16	43-16-81-370	1	Rear Plate	56	13-03-01-024	1	Snap Ring(H-24)
17	43-16-81-360	1	Liner(For EI-4500)	57	13-05-02-010	2	Steel Ball(5/32)
	43-17-10-360	(1)	Liner(For EI-5000)	58	13-05-05-028	1	Urethane Ball(7/16)
18	43-16-81-390	1	Rotor(For-4500)	59	13-01-07-006	1	Bearing 6205
	43-17-10-390	(1)	Rotor(For-5000)	60	13-01-10-006	1	Bearing 6305
19	13-71-09-004	6	Rotor Blade	61	13-11-01-012	1	O'Ring(P-12)
20	43-16-81-380	1	Front Plate	62	13-11-05-013	(1)	O'Ring(6227-13) (For Ring-Retainer Type only)
21	43-16-81-520	1	Clutch Housing		13-11-05-019	(1)	O'Ring(456227-12) (For Spline Type Shank only)
22	43-16-81-480	1	Th /st Plate	63	13-11-03-006	1	O'Ring(S-8)
23	43-16-81-430	1	Cam	64	13-11-03-016	2	O'Ring(S-20)
24	43-16-81-440	1	Cage	65	13-11-03-018	1	O'Ring(S-22.4)
25	43-16-81-450	1	Dog	67	13-12-02-053	1	Oil Seal(VB-42556)
26	43-16-81-470	1	Cage Bush	68	13-13-10-005	3	Spring Washer(M5)
27	43-16-94-500	1	Anvil Shank(L)(Pin-Hole Type)	69	13-10-05-020	3	Helisert(M5-0.8×2D)
	43-16-93-500	(1)	Anvil Shank(S)(Pin-Hole Type)	70	13-73-05-012	1	Name Plate
	43-16-84-500	(1)	Anvil Shank(L)(Ring Retainer Type)	71	13-30-01-110	4	Rivet
	43-16-83-500	(1)	Anvil Shank(S)(Ring Retainer Type)		43-12-66-55C	(1CP)	Dead Handle CP(Incl.Symbol No31, 32, 40& 45)
	43-16-98-500	(1)	Anvil Shank(L)(Spline Type)		43-16-93-02B	(1CP)	Handle CP(Outside Trigger with Exhaust Port Type) (Incl.Symbol No1, 7, 9, 12&69)
	43-16-97-500	(1)	Anvil Shank(S)(Spline Type)		43-16-81-02B	(1CP)	Handle CP(Inside Trigger with Exhaust Port Type) (Incl.Symbol No1, 7, 9, 12&69)
	43-16-84-900	(1)	Anvil Shank(L)(Special Retainer Type)		43-16-87-02B	(1CP)	Handle CP(Inside Trigger without Exhaust Port Type) (Incl.Symbol No1, 7, 9, 12&69)
	43-16-83-900	(1)	Anvil Shank(S)(Special Retainer Type)		43-16-93-02D	(IASY)	Handle Assy. (Outside Trigger with Exhaust Type) (Incl.Symbol No1, 2, 3, 4, 5, 6, 7, 8, 9, 10, 11, 12, 13, 14, 39, 48, 50, 51, 53, 54, 55, 56, 57, 58, 61, 63, 64, 65, 68&69)
28	13-08-03-144	(1)	Socket Retainer Ring(Ring-Retainer Type)		43-16-81-02D	(IASY)	Handle Assy. (Inside Trigger with Exhaust Port Type) (Incl.Symbol No1, 2, 3, 4, 5, 6, 7, 8, 9, 10, 11, 12, 13, 14, 39, 48, 53, 54, 55, 56, 57, 58, 61, 63, 64, 65, 68&69)
	13-08-03-145	(1)	Socket Retainer Ring(For Spline Type Shank only)		43-16-87-02D	(IASY)	Handle Assy. (Inside Trigger without Exhaust Port Type) (Incl.Symbol No1, 2, 3, 4, 5, 6, 7, 8, 9, 10, 11, 12, 13, 14, 39, 48, 53, 54, 55, 56, 57, 58, 61, 63, 64, 65, 68&69)
29	43-16-81-420	1	Spacer		43-16-81-02B	(1CP)	Clutch Housing CP(Incl. 21, 30&67)
30	43-16-81-530	1	Housing Bush		43-16-87-02D	(IASY)	Handle Assy. (Inside Trigger with Exhaust Port Type) (Incl.Symbol No1, 2, 3, 4, 5, 6, 7, 8, 9, 10, 11, 12, 13, 14, 39, 48, 53, 54, 55, 56, 57, 58, 61, 63, 64, 65, 68&69)
31	43-12-66-620	1	Dead Handle Grip		43-16-81-02B	(1CP)	Clutch Housing CP(Incl. 21, 30&67)
32	43-12-66-550	1	Dead Handle		43-16-81-02B	(1CP)	Clutch Housing CP(Incl. 21, 30&67)
33	13-62-01-016	1	Protector(Front)				