

Spare part sheets

JAH Range of aluminium jacks

Index :

Page 2 – JAH (full range)– Drawing

Page 3 – JAH (full range) – Part list

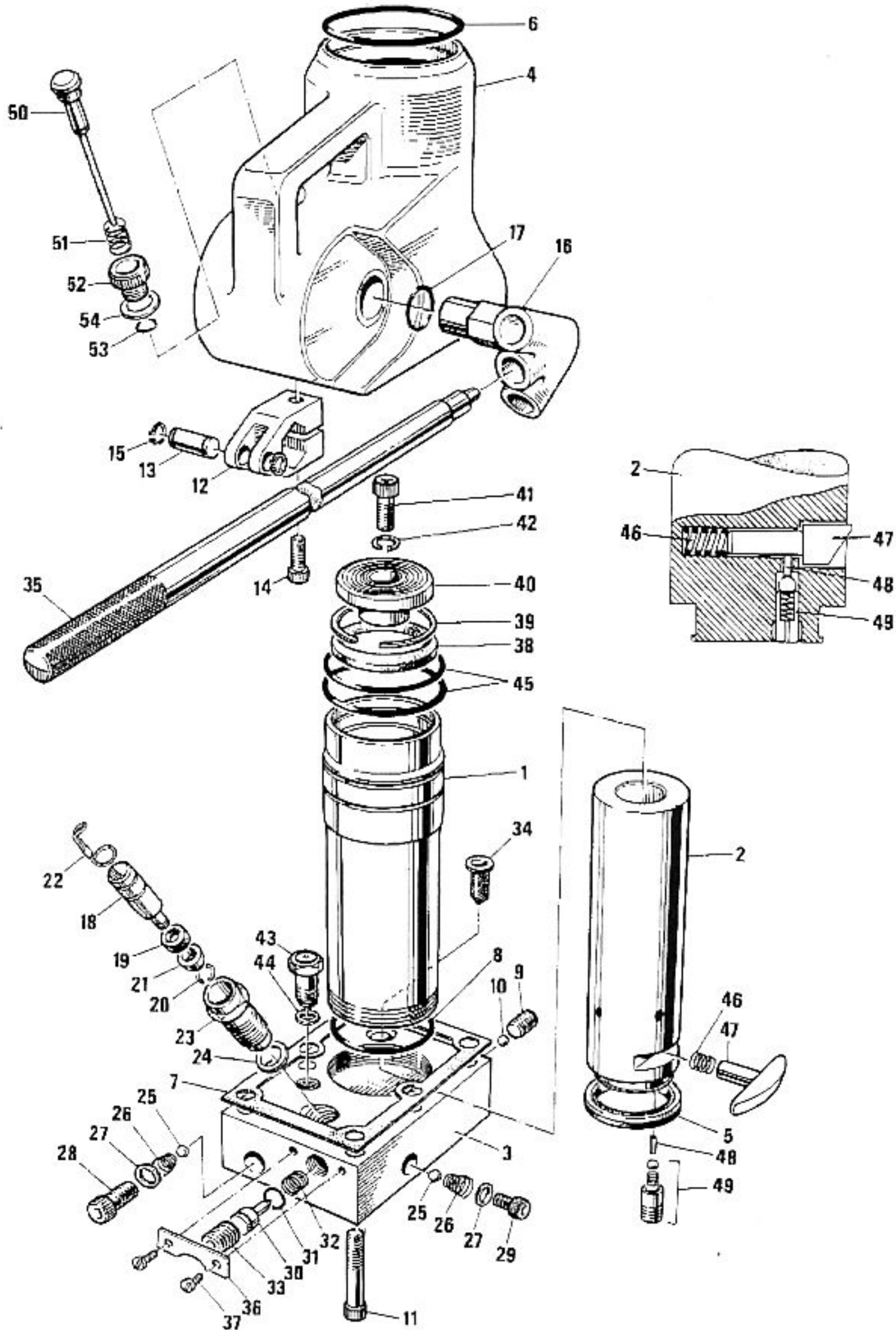


Hi-Force Hydraulics Limited
Bentley Way – Daventry – NN11 8QH Northants
England – United Kingdom
Tel (+44) 1327 301000 – Fax (+44) 1327 706555
Web : www.hi-force.com – Email : sales@hi-force.com

Hi-Force®

Operating & Service Instructions

JAH JACKS 620, 1220, 630, 1230, 1840, 660, 1260 MODELS



ITEM NO.		DESCRIPTION	QTY.
1		LINER	1
2		RAM	1
3		BASE	1
4		CISTERN	1
5	*	RAM PACKING	1
6	*	CISTERN SEAL	1
7	*	BASE GASKET	1
8	*	LINER SEAL	1
9		BASE PLUG	1
10		BASE PLUG BALL	1
11		CISTERN SCREW	6
12		TUMBLER	1
13		TUMBLER ROLLER	1
14		TUMBLER SCREW	1
15	*	TUMBLER CIRCLIP	2
16		QUADRANT SHAFT	1
17	*	QUADRANT SHAFT SEAL	1
18		PUMP PLUNGER	1
19	*	PUMP PLUNGER SEAL	1
20	*	PUMP PLUNGER CIRCLIP	1
21		PLUNGER SPACER	1
22		PLUNGER CLIP ASSEMBLY	1
23		PUMP BARREL	1
24	*	PUMP BARREL WASHER	1
25	*	BALL (SUCTION & DELIVERY)	2
26	*	SPRING (SUCTION & DELIVERY)	2
27	*	WASHER (SUCTION & DELIVERY)	2
28		SUCTION VALVE SCREW	1
29		DELIVERY VALVE SCREW	1
30		RELEASE VALVE	1
31	*	RELEASE VALVE SEAL	1
32		RELEASE VALVE SPRING	1
33		RELEASE VALVE SCREW	1
34		FILTER	1
35		OPERATING LEVER ASSEMBLY	1
36		INSTRUCTION PLATE	1
37		PLATE SCREW	2
38	*	RAM WIPER	1
39	*	WIPER RETAINING RING	1
40		RAM CAP	1
41		RAM CAP SCREW	1
42		RAM CAP WASHER	1
43		RELIEF VALVE ASSEMBLY	1
44	*	RELIEF VALVE SEAL	1
45	*	LINER RELIEF RING	2
46		SAFE STOP ARM SPRING	1
47		SAFE STOP ARM ASSEMBLY	1
48		SAFE STOP OPERATING PIN	1
49		SAFE STOP VALVE ASSEMBLY	1
50		DIPSTICK ASSEMBLY	1
51		DIPSTICK PLUNGER SPRING	1
52		DIPSTICK BODY	1
53	*	DIPSTICK SEAL	1
54	*	DIPSTICK BODY WASHER	1
NOT ILLUSTRATED			
55		SCREWED RAM (FOR SCREWED RAM JACKS)	1
56		ALUMINIUM WIPER (FOR SCREWED RAM JACKS)	1
57		RETAINER NUT (FOR SCREWED RAM JACKS)	1
58		CLAW (FOR CLAW JACKS)	1
59	*	SERVICE KIT	1

TO ORDER SPARE PARTS ALWAYS QUOTE MODEL No. & ITEM No.