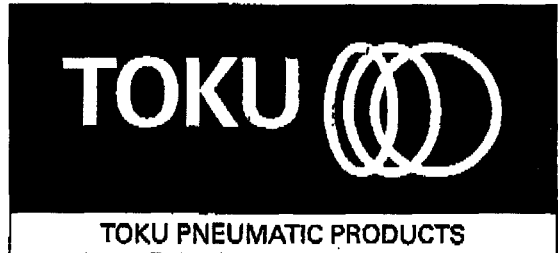
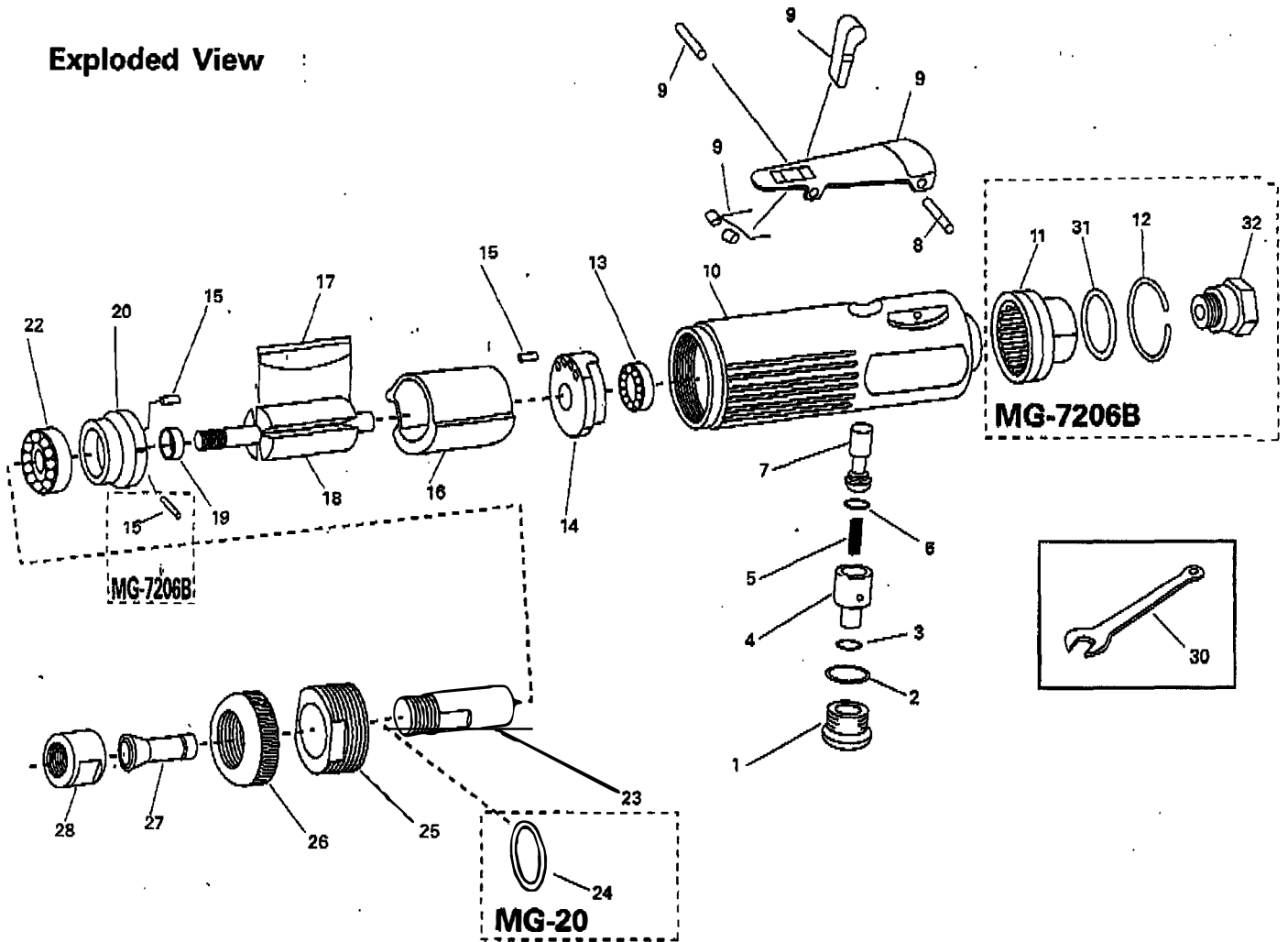


MAINTENANCE INSTRUCTIONS
DIE GRINDER
6mm CAP. 22,000 RPM
MODEL MG-7206B REAR EXHAUST
MG-20 FRONT EXHAUST



Exploded View



Sym. No.	Parts No.	MG-7206B Q'ty. No.	MG-20 Q'ty. No.	Description
1	T5-07-10-010	1	1	Valve Screw
2	T5-07-10-020	1	1	O-Ring (P-10A)
3	T5-04-02-020	1	1	O-Ring (P-8)
4	T5-07-10-040 T3-03-01-040	1 —	— 1	Regulator
5	T5-07-10-050	1	1	Spring
6	T5-04-02-040	1	1	O-Ring (P-5)
7	T5-07-10-070	1	1	Valve Stem
8	T5-04-02-090	1	1	Spring Pin (3x24)
9	T5-07-10-090	1	1	Throttle Lever
10	T5-07-10-100 T3-03-01-100	1 —	— 1	Motor Housing
11	T5-07-10-110	1	—	Exhaust Sleeve
12	T5-07-10-120	1	—	Retaining Ring
13	T5-04-04-100	1	1	Bearing(626ZZ)
14	T5-07-10-140 T3-03-11-140	1 —	— 1	Rear Plate
15	T5-02-10-470	3	2	Spring Pin (2.5x5)

Sym. No.	Parts No.	MG-7206B Q'ty. No.	MG-20 Q'ty. No.	Description
16	T5-02-10-300	1	1	Cylinder
17	T5-02-10-290	4	1	Rotor Blade
18	T5-07-10-180	1	1	Rotor
19	T5-07-10-100	1	1	Spacer
20	T5-07-10-200 T3-03-01-200	1 —	— 1	Front Plate
22	T5-07-10-220	1	1	Bearing(600ZZ)
23	T5-07-10-230	1	1	Collet Chuck
24	T3-03-01-240	—	1	Silencer
25	T5-07-10-250	1	1	Lock Ring
26	T5-07-10-260	1	1	Motor Cap
27	T5-07-10-270	1	1	Collet 6mm
27A	T5-07-10-27A	(1)	(1)	Collet 1/4"
28	T5-07-10-280	1	1	Collet Nut
30	T5-07-10-300	2	2	Spanna
31	T5-07-10-310	1	—	O-Ring (JASO 1030 2x30)
32	T5-07-10-320	1	—	Air Inlet Bushing